

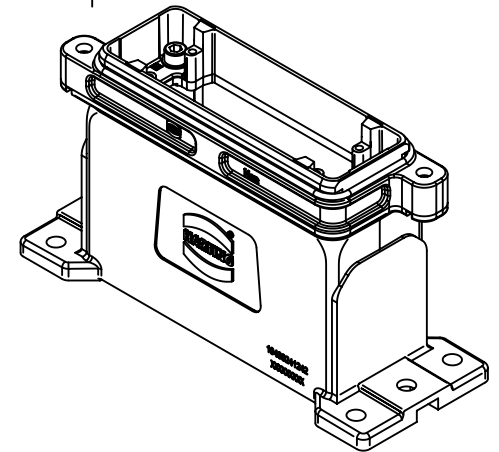
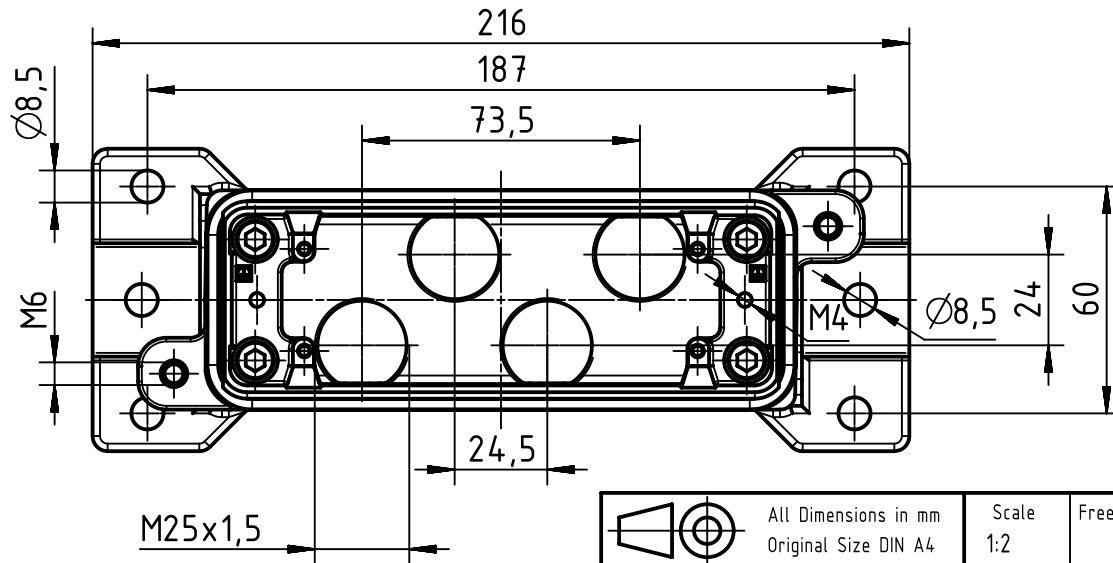
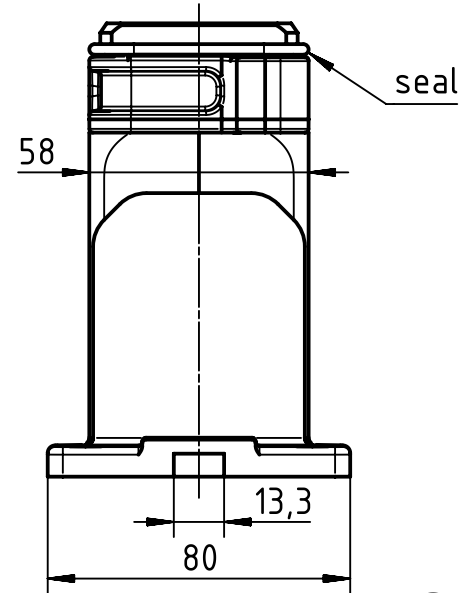
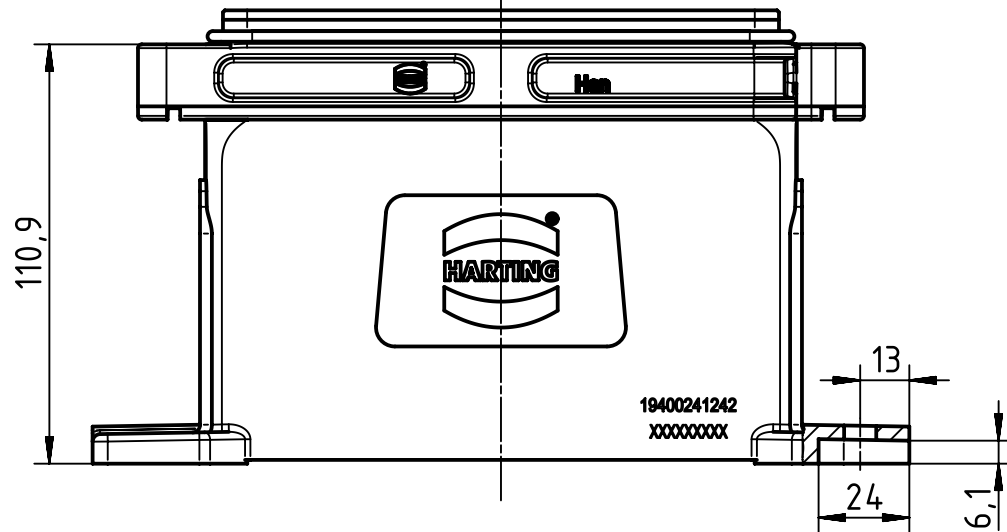
1 2 3 4 5 6

A

B

C

D



All Dimensions in mm Original Size DIN A4		Scale 1:2	Free size tol.		Ref. Sub. TB 19 40 024 1242 v. 15.08.11	
All rights reserved Department EL PD - DE HARTING Electric GmbH & Co. KG D-32339 Espelkamp	Created by RULLKOETTER	Inspected by BERGHORN	Standardisation TIEMANNA	Date 2014-07-17	State Final Release	
	Title Han 24HPR-HSM-4xM25-Screw Lock				Doc-Key / ECM-Nr. 100196842/UGD/005/B 500000077550	
Type TB		Number 19 40 024 1242			Rev. B	Page 1/1

# Mouser Electronics

Authorized Distributor

Click to View Pricing, Inventory, Delivery & Lifecycle Information:

[HARTING:](#)

[19400241242](#)