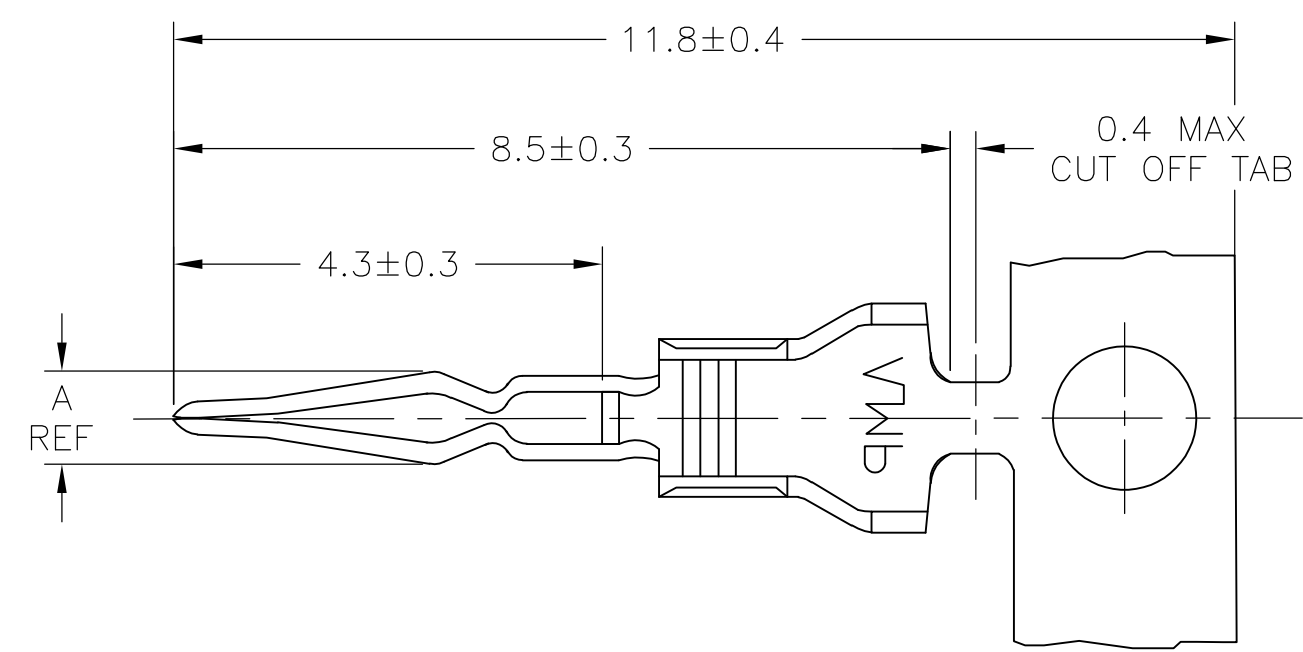


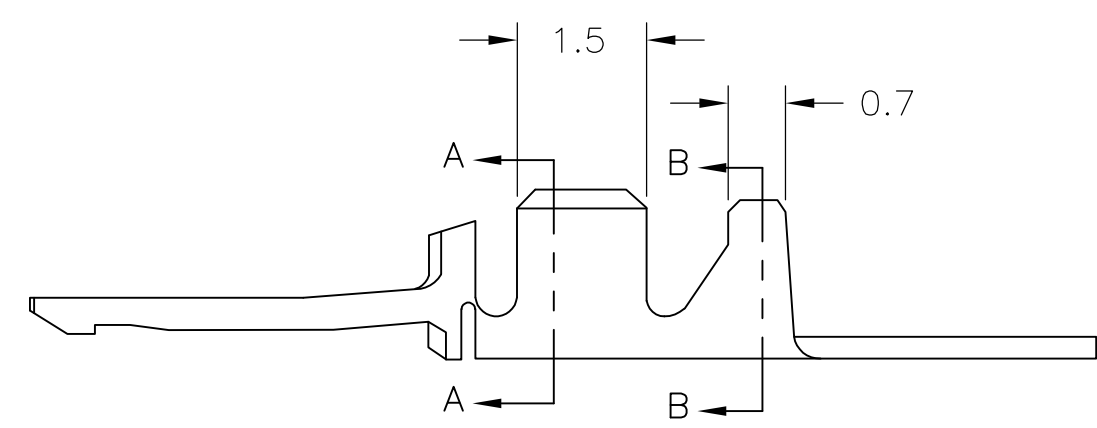
THIS DRAWING IS UNPUBLISHED. RELEASED FOR PUBLICATION
 © COPYRIGHT - By - ALL RIGHTS RESERVED.

REVISIONS					
P	LTR	DESCRIPTION	DATE	DWN	APVD
	G3	REVISED PER ECR-16-005334	19APR16	RS	EW

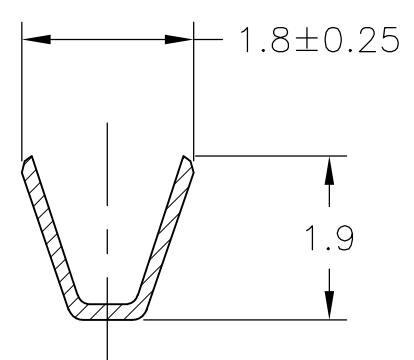


- 1 APPLICABLE HDR HSG: 172520(2.5 PITCH)
172890(2.0 PITCH)
- 2 PRODUCT SPEC: 108-5163
- 3 CRIMPING SPEC: 114-5062
COMMON APPLICATOR FOR 2.5mm PITCH
HDR HSG: P/N 755765-□
EXCLUSIVE APPLICATOR FOR 25mm PITCH
HDR HSG: P/N 752830-□

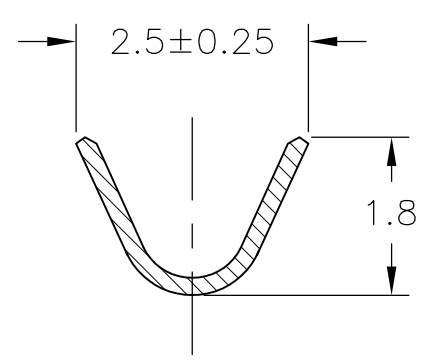
△ 4 TOLERANCES: UNLESS OTHERWISE SHOWN,
 DIM <10 mm ±0.20; DIM 10-20 mm ±0.25,
 ANGLES ±3 DEGREES



0.95	∅0.8±0.1, 1.2~1.6	-	POST-TINNED PHOS-BRO, 0.2t	172782-9	
0.95	∅0.8±0.1, 1.2~1.6	-	POST-TINNED, HIGH HEAT RESISTANCE COPPER ALLOY	1-172782-2	
1.2	∅1 ^{+0.05} _{-0.1} , 1.2~1.6	-	POST-TINNED BRASS 0.2t	172782-7	
0.95	∅0.8±0.1, 1.2~1.6	-	POST-TINNED BRASS 0.2t	172782-5	
SUPERSEDED BY 172782-7	1.2	∅1 ^{+0.05} _{-0.1} , 1.2~1.6	172798-2	PRE-TINNED BRASS 0.2t	172782-2
SUPERSEDED BY 172782-5	0.95	∅0.8±0.1, 1.2~1.6	172798-1	PRE-TINNED BRASS 0.2t	172782-1
"A" REF	APPLICABLE PCB HOLE AND THK	LOOSE PIECE CONTACT P/N	MATERIAL	PART NO.	



SEC A-A



SEC B-B

SUPERSEDED BY 172782-7
 SUPERSEDED BY 172782-5

THIS DRAWING IS A CONTROLLED DOCUMENT.		DWN 14JAN2016 BASVESH WARAD	TE Connectivity LOW PROFILE MINI AMP IN CONTACT			
DIMENSIONS: mm [in]		CHK 14JAN2016 JACONO, GENE				
TOLERANCES UNLESS OTHERWISE SPECIFIED:		APVD 14JAN2016 JACONO, GENE	NAME			
WIRE RANGE 0.14-0.40 mm ² [22-26] AWG		PRODUCT SPEC	-			
INSULATION DIA 1.4-1.5		APPLICATION SPEC	-			
MATERIAL SEE TABLE	FINISH	WEIGHT	SIZE	CAGE CODE	DRAWING NO	RESTRICTED TO
		0	A3	00779	C-172782	-
CUSTOMER DRAWING			SCALE	SHEET	REV	
			1:1	1 OF 1	G3	

Mouser Electronics

Authorized Distributor

Click to View Pricing, Inventory, Delivery & Lifecycle Information:

[TE Connectivity:](#)

[8-172782-6](#)