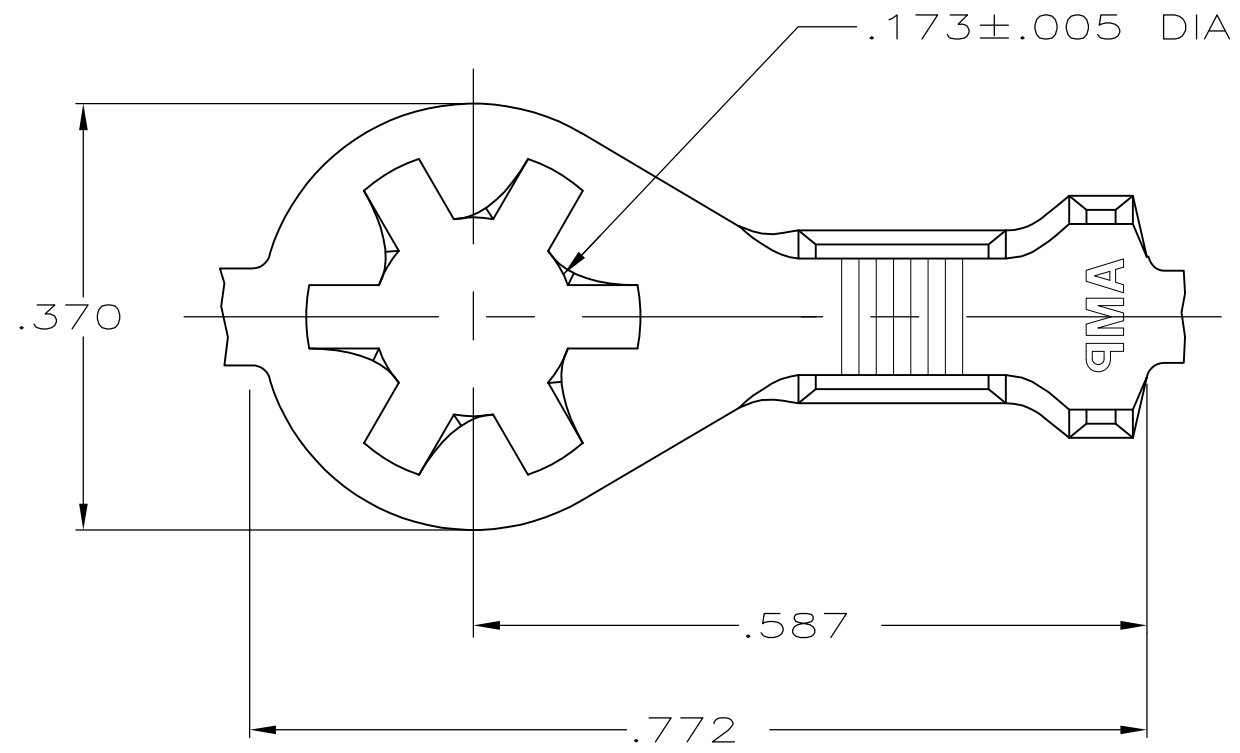
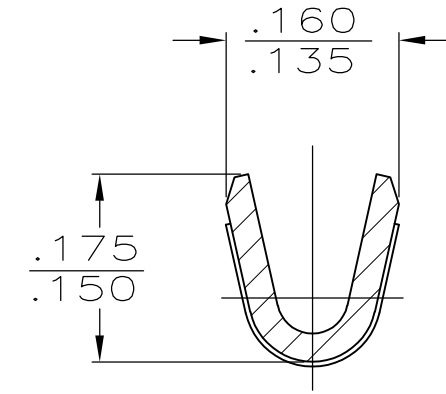


THIS DRAWING IS UNPUBLISHED. RELEASED FOR PUBLICATION  
 © COPYRIGHT - By - ALL RIGHTS RESERVED.

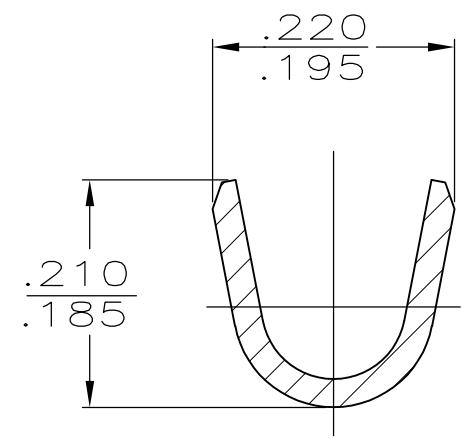
LOC	DIST	REVISIONS					
		P	LTR	DESCRIPTION	DATE	DWN	APVD
AF	50		T1	REVISED PER ECO-11-004587	11MAR11	RK	HMR



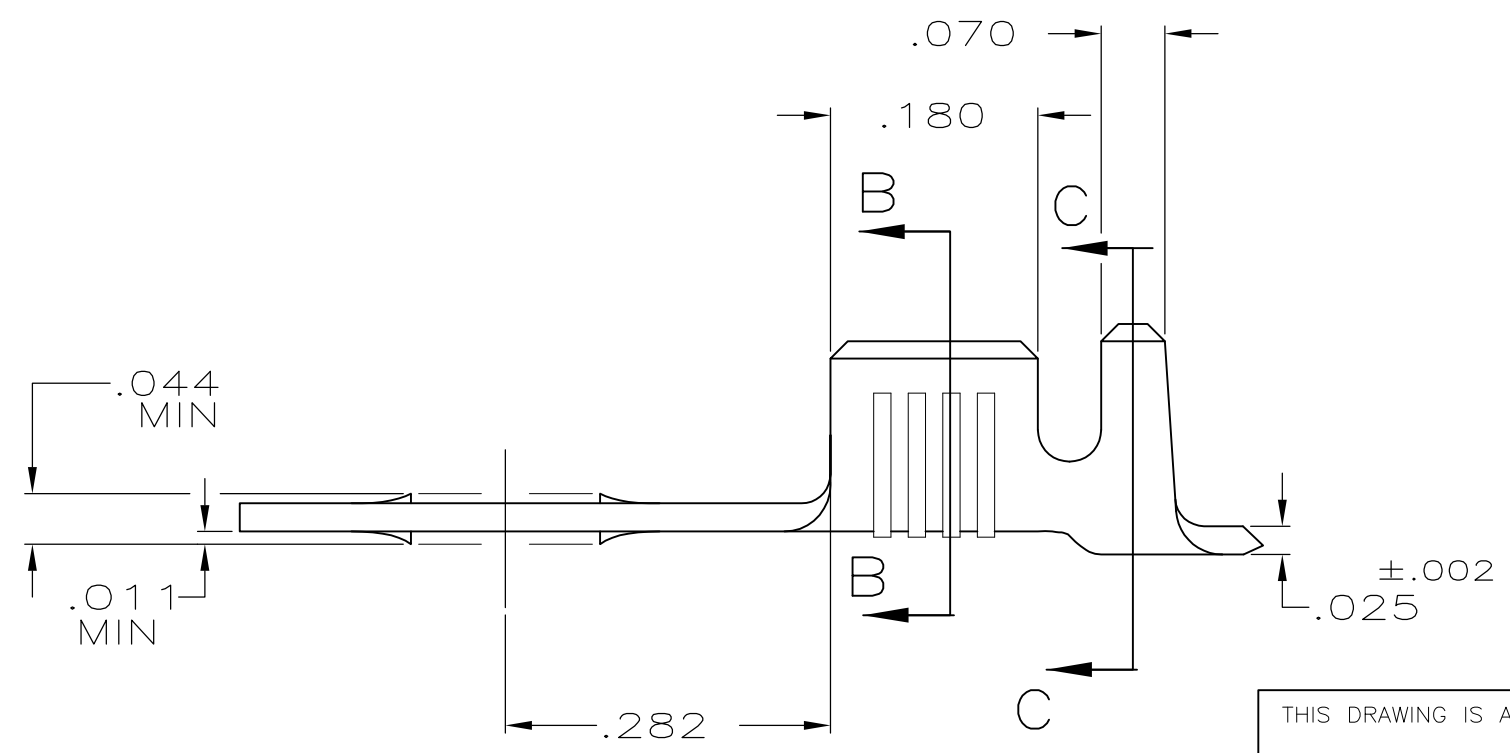
- 1 CONTINUOUS STRIP ON REELS
- 2 REELED WITH PAPER
- 3 .000080 MIN TIN PL PER MIL-T-10727.
- 4 PRELIMINARY - NOT FOR PRODUCTION



SECTION B-B



SECTION C-C



4	3	T4 BRASS	.105-.145	18-14	61794-7	
2	3	T2 STEEL	.105-.145	18-14	61794-6	
		T4 BRASS	.105-.145	18-14	61794-4	
		<del>NICKEL PL</del>	<del>T2 STEEL</del>	<del>105-.145</del>	<del>61794-3</del>	
		<del>OBSOLETE</del>	<del>OBSOLETE</del>	<del>18-14</del>	<del>61794-2</del>	
	3	T2 STEEL	.105-.145	18-14	61794-1	
		FINISH	MATERIAL	INSULATION RANGE	WIRE SIZE	PART NO

THIS DRAWING IS A CONTROLLED DOCUMENT.

DWN D HOLLINGSWORTH 5/15/87  
 CHK G YETTER 11/23/87  
 APVD RP FRANTZ 12/2/87

**STE** TE Connectivity

RING

SIZE A3 CAGE CODE 00779 DRAWING NO C-61794 RESTRICTED TO -

CUSTOMER DRAWING SCALE 6:1 SHEET 1 OF 1 REV T1

DIMENSIONS:	TOLERANCES UNLESS OTHERWISE SPECIFIED:
INCHES	
	0 PLC ± -
	1 PLC ± -
	2 PLC ± -
	3 PLC ± .015
	4 PLC ± -
	ANGLES ± -

MATERIAL SEE TABLE FINISH SEE TABLE

# Mouser Electronics

Authorized Distributor

Click to View Pricing, Inventory, Delivery & Lifecycle Information:

[TE Connectivity:](#)

[61794-4](#) [61794-4 \(CUT STRIP\)](#) [61794-4 \(MOUSER REEL\)](#)