

4

3

2

1

THIS DRAWING IS UNPUBLISHED.

RELEASED FOR PUBLICATION

© COPYRIGHT - BY TYCO ELECTRONICS CORPORATION. ALL RIGHTS RESERVED.

LOC	DIST	REVISIONS					
		P	LTR	DESCRIPTION	DATE	DWN	APVD
H	-		A	RELEASE FOR PRODUCTION	25OCT2012	NJ	OL

NOTES:

1. MATERIALS:

- HOUSING: PBT GF30%, COLOR: NATURAL.
- CONTACT: COPPER ALLOY.

2. FOR SOLID AND STRANDED WIRE AWG 22 USE, UL 1007.
FOR SOLID WIRE AWG 24 USE, UL 1007.

3. COMPLIES WITH DIRECTIVE 2002/95/EC (ROHS).

5. SCREW TO BE USED: M3 x 6(min.)

11,50

WIRE INSERTION DIRECTION

(Ø6,2)

(11,50)

(R0,75)

(1,05)

(4,50)

(0,47)

(3,50)

(5,79)

(14,28)

(4,95)

(3,00) (2x)

(2,45)

(Ø1,85)

(2,04)

(2,78)

(Ø2,00)

(Ø2,00)

(5,00)

(1,63)

(2,35)

(Ø3,30)

24/22 AWG

2173470-1

(8,00)

(10,50)

SCALE 4:1

HOUSING

CONTACT

THIS DRAWING IS A CONTROLLED DOCUMENT.

DWN P. POORTER 21FEB2012

CHK N. JONGENS 09MAR2012

APVD O. LEIJNSE 09MAR2012

PRODUCT SPEC

APPLICATION SPEC

WEIGHT -

NAME

SIZE CAGE CODE DRAWING NO RESTRICTED TO

A3 00779 C-2173470 -

Customer Drawing SCALE 5:1 SHEET 1 OF 2 REV A

DIMENSIONS:

mm

MATERIAL SEE NOTES

TOLERANCES UNLESS OTHERWISE SPECIFIED:

0 PLC	±-
1 PLC	±-
2 PLC	±-
3 PLC	±-
4 PLC	±-
ANGLES	±-
FINISH	-

FINISH -

TE Connectivity

POKE-IN CONNECTOR
Type Luxeon K

2173470-1
PARTNUMBER

D

C

B

A

1470-19 (3/11)

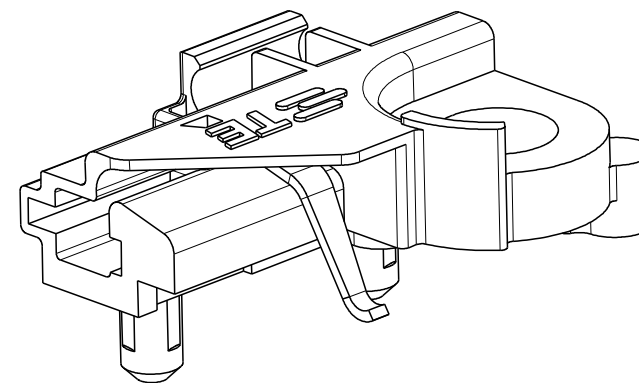
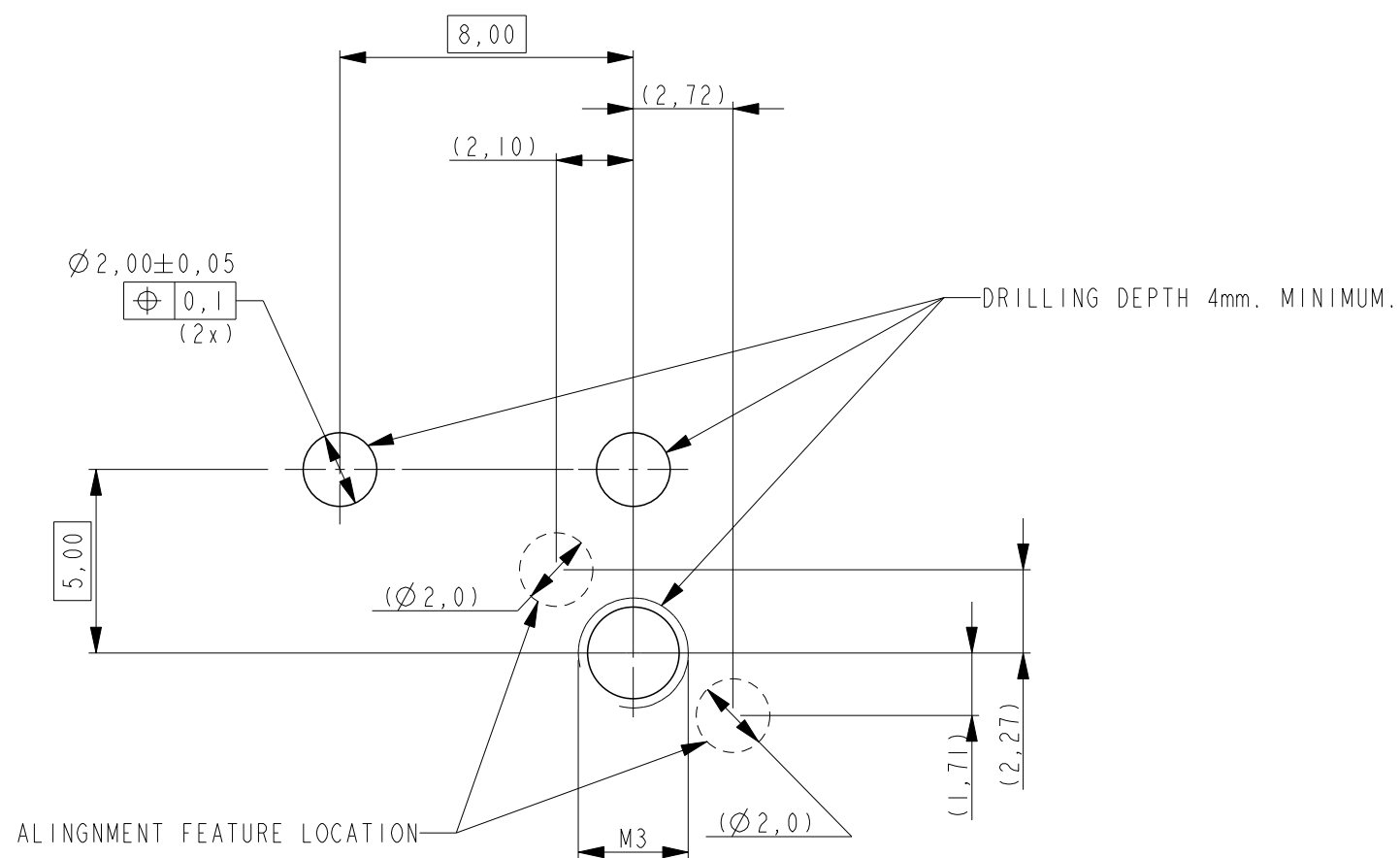
THIS DRAWING IS UNPUBLISHED.

RELEASED FOR PUBLICATION

© COPYRIGHT - BY TYCO ELECTRONICS CORPORATION. ALL RIGHTS RESERVED.

LOC	DIST	REVISIONS					
		P	LTR	DESCRIPTION	DATE	DWN	APVD
H	-	-	-	SEE SHEET 1	-	-	-

RECOMMENDED DRILLING HOLE PATTERN:



THIS DRAWING IS A CONTROLLED DOCUMENT.		DWN	21FEB2012		
		CHK	09MAR2012		
		APVD	09MAR2012		
		PRODUCT SPEC	-		
DIMENSIONS: mm		TOLERANCES UNLESS OTHERWISE SPECIFIED:			NAME
		0 PLC ±- 1 PLC ±- 2 PLC ±- 3 PLC ±- 4 PLC ±- ANGLES ±-			POKE-IN CONNECTOR Type Luxeon K
MATERIAL SEE NOTES		FINISH -			RESTRICTED TO
		Customer Drawing			SIZE A3 CAGE CODE 00779 DRAWING NO. C-2173470
		SCALE 5:1			SHEET 2 OF 2
					REV A

D

C

B

A

Mouser Electronics

Authorized Distributor

Click to View Pricing, Inventory, Delivery & Lifecycle Information:

[TE Connectivity:](#)

[2173470-1](#)