

**PLEASE CHECK WWW.MOLEX.COM FOR LATEST PART INFORMATION**

**Part Number:** **0681470215**  
**Status:** **Active**  
**Overview:** Automotive Bulb Sockets  
**Description:** Wedge Bulb Socket, Single Housing Assembly, W5W, Sealed, Gray

**Documents:**

[3D Model](#) [Packaging Specification PK-49505-001-001 \(PDF\)](#)  
[Drawing \(PDF\)](#) [RoHS Certificate of Compliance \(PDF\)](#)  
[Product Specification PS-68147-001 \(PDF\)](#)

**General**

Product Family	Other Sockets
Series	68147
Comments	Sealed bulb socket for W5W
Component Type	Socket
Overview	<u>Automotive Bulb Sockets</u>
Product Name	Wedge Bulb Socket
UPC	800756100036

**Physical**

Circuits (Loaded)	2
Circuits (maximum)	2
Color - Resin	Gray
Durability (mating cycles max)	Contact Molex
Entry Angle	Vertical
Keying to Mating Part	None
Material - Resin	Nylon
Net Weight	5.667/g
PCB Locator	No
PCB Retention	N/A
Packaging Type	Bag
Pitch - Mating Interface	N/A
Temperature Range - Operating	-40° to +85°C
Termination Interface: Style	Through Hole

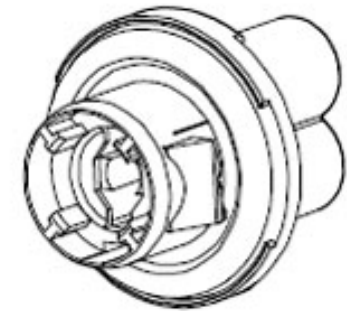
**Electrical**

Current - Maximum per Contact	7.0A
Voltage - Maximum	12V

**Material Info**

**Reference - Drawing Numbers**

Packaging Specification	PK-49505-001-001
Product Specification	PS-68147-001
Sales Drawing	SD-68147-002



*Series image - Reference only*

**EU ELV**

**Compliant**

**EU RoHS**

**Compliant**

**REACH SVHC**

Not Contained Per  
-ED/01/2018 (15  
January 2018)

**Halogen-Free**

**Status**

**Low-Halogen**

**Need more information on product environmental compliance?**

Email [productcompliance@molex.com](mailto:productcompliance@molex.com)  
Please visit the [Contact Us](#) section for any non-product compliance questions.

China ROHS	Not Relevant
ELV	Compliant
Prop65	Missing Compliance Data
RoHS Phthalates	Not Contained

**Search Parts in this Series**

68147 Series

**Mates With**

Wedge Base Bulb

**Use With**

Wedge Terminal [35477-9002](#) <br>Wedge Terminal Wire Seal [49505-9001](#)

# Mouser Electronics

Authorized Distributor

Click to View Pricing, Inventory, Delivery & Lifecycle Information:

[Molex:](#)

[68147-0215](#)