



THIS DRAWING IS UNPUBLISHED.

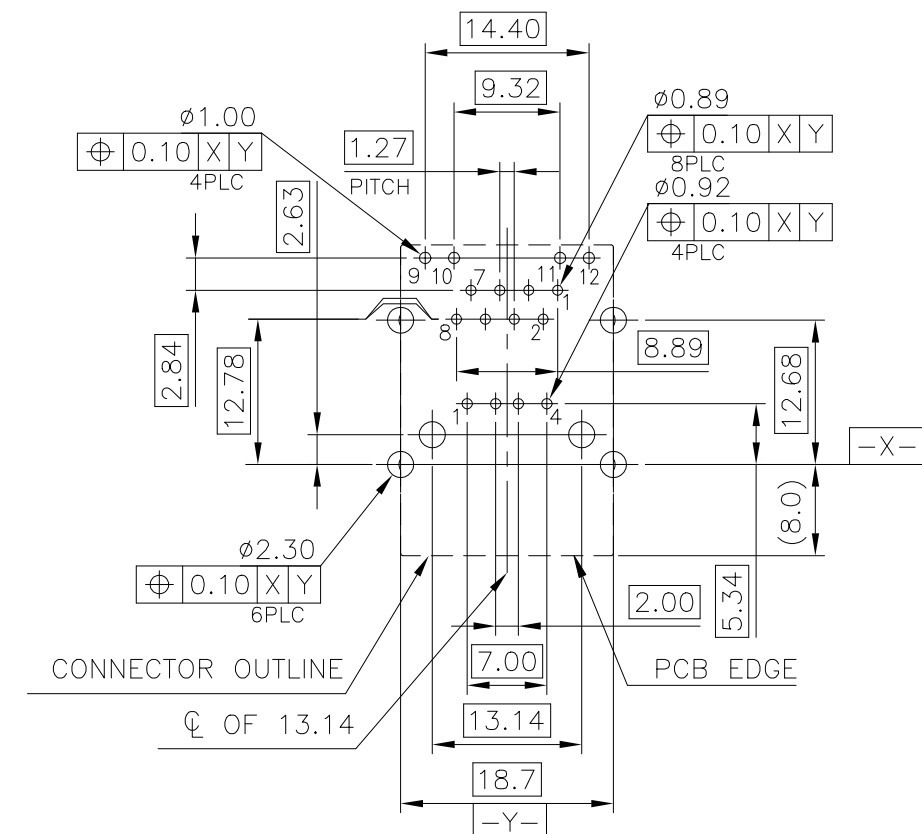
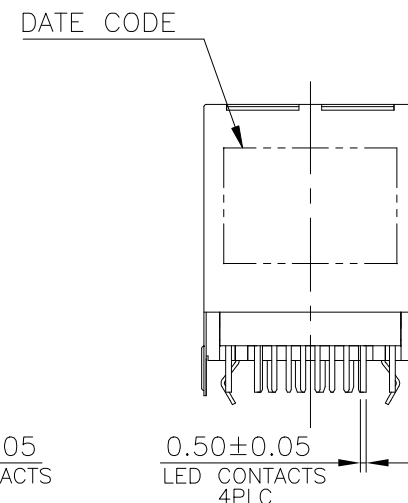
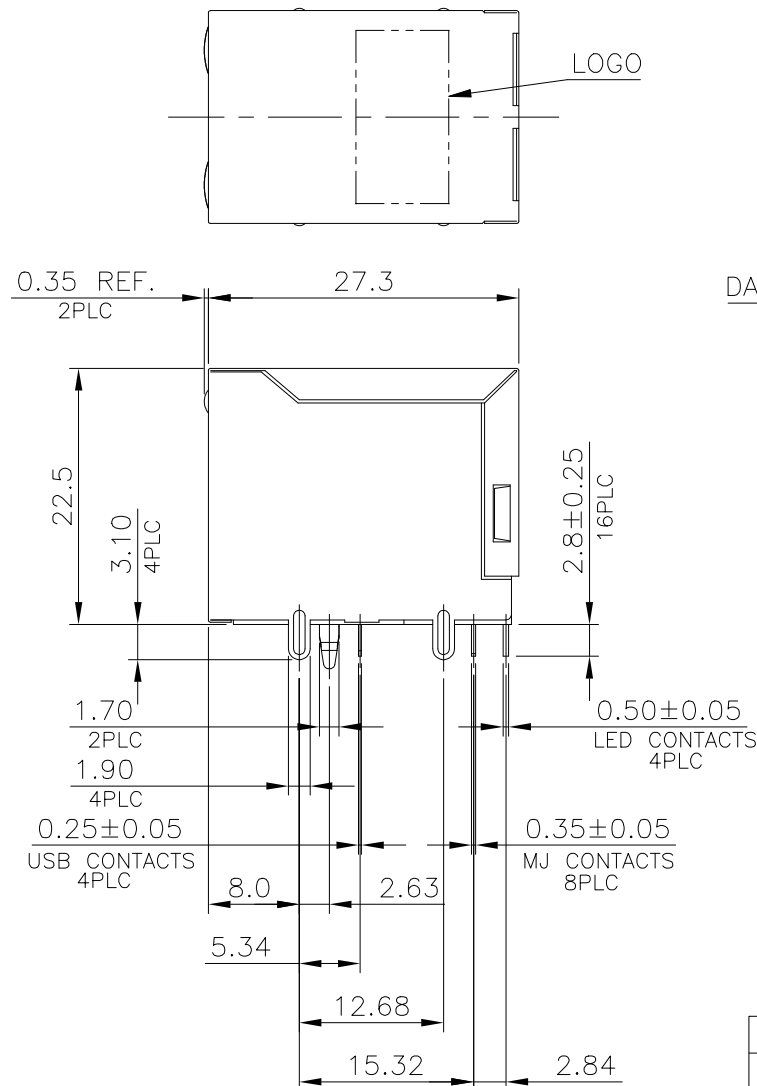
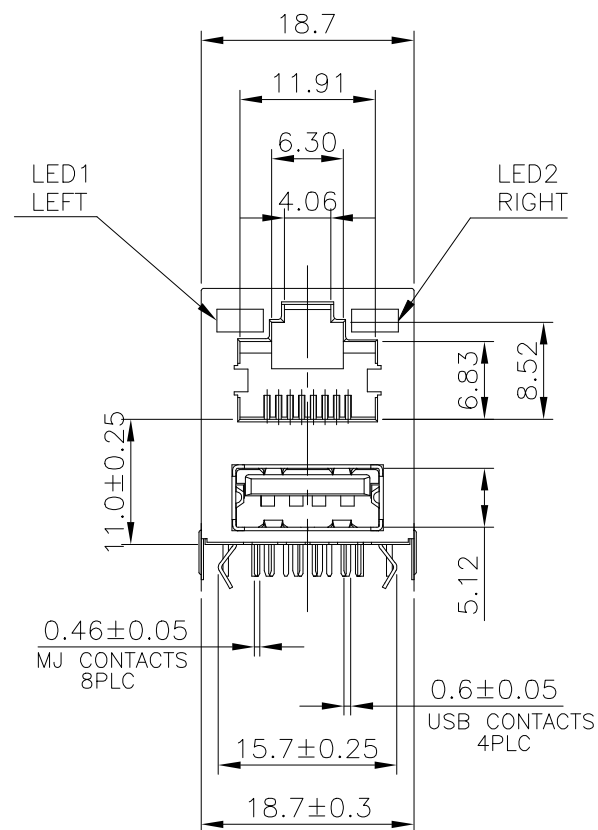
RELEASED FOR PUBLICATION

© COPYRIGHT - TE Connectivity Ltd.

ALL RIGHTS RESERVED.

REVISIONS

P	LTR	DESCRIPTION	DATE	DWN	APVD
-	-	SEE SHEET 1	-	-	-



RECOMMENDED PCB LAYOUT  
 RECOMMENDED PCB THICKNESS: 1.6mm  
 TOLERANCE: ±0.05 (TOP VIEW)

NOTE:

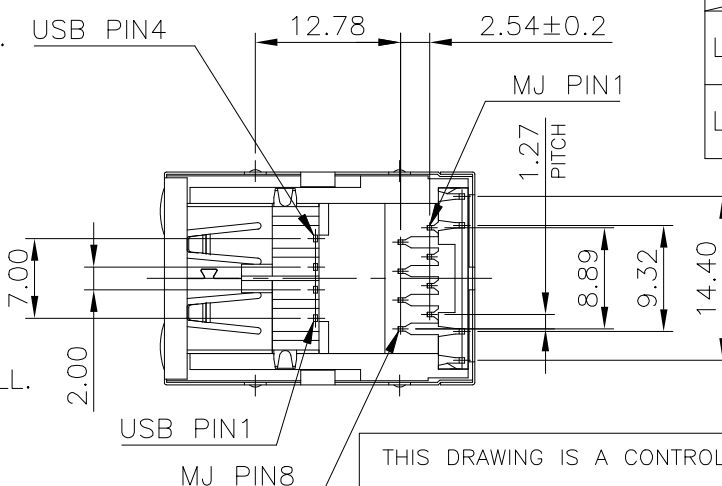
1. MATERIAL:

- 1.1 MJ HOUSING & LED COVER: PBT, WITH 30% GF, UL94V-0, BLACK COLOR.
- 1.2 MJ CONTACTS: PHOSPHOR BRONZE.
- 1.3 MJ SHIELD: BRASS.
- 1.4 LED SOLDER TAIL: EPOXY, STEEL.
- 1.5 USB HOUSING: PBT, UL94V-0, BLACK COLOR.
- 1.6 USB CONTACTS: BRASS.
- 1.7 USB SHIELD: SPCC.

2. FINISH:

- 2.1 MJ CONTACTS:  
GOLD FLASH PLATED ON CONTACT AREA,  
GOLD FLASH ON SOLDER TAILS,  
1.27um [50u"] MIN. NICKEL UNDERPLATED OVERALL.
- 2.2 MJ SHIELD: 0.508um [20u"] MIN. NICKEL PLATED.
- 2.3 LED SOLDER TAIL:  
1.02um [40u"] COPPER UNDERPLATED OVERALL.  
1.27um [50u"] NICKEL OVERALL.  
1.27um [50u"] SILVER ON BONDING AREA.  
2.54um [100u"] BRIGHT-TIN ON SOLDER AREA.
- 2.4 USB CONTACT: GOLD FLASH PLATED ON CONTACT AREA,  
2.54um [100u"] MIN. BRIGHT-TIN PLATED ON SOLDER TAILS,  
1.27um [50u"] MIN. NICKEL UNDERPLATED OVERALL.
- 2.5 USB SHIELD: 2.032um [80u"] MIN. NICKEL PLATED.

- 3. WAVE SOLDER CAPABLE TO 265°C PER TE CONNECTIVITY SPEC.  
109-202, CONDITION B.



FOR 4-1775855-1			
LED ELECTRICAL CHARACTERISTIC			
	NODE	COLOR	
LED LEFT	9(+)	10(-)	ORANGE
	9(-)	10(+)	GREEN
LED RIGHT	11(+)	12(-)	ORANGE
	11(-)	12(+)	GREEN

FOR 4-1775855-2			
LED ELECTRICAL CHARACTERISTIC			
	NODE	COLOR	
LED LEFT	9(+)	10(-)	GREEN
	9(-)	10(+)	ORANGE
LED RIGHT	11(+)	12(-)	GREEN
	11(-)	12(+)	ORANGE

13.11	GREEN/ORANGE	GREEN	4-1775855-2
	ORANGE/GREEN	ORANGE/GREEN	4-1775855-1
WEIGHT (gram)	LEFT	RIGHT	PART NUMBER
	LED COLORS		

THIS DRAWING IS A CONTROLLED DOCUMENT.		DWN	B. HSING	12JUN2009	 TE Connectivity Ltd.
		CHK	S. CHIEN	12JUN2009	
		APVD	W. KODAMA	12JUN2009	
		PRODUCT SPEC	108-57802		
DIMENSIONS: mm		TOLERANCES UNLESS OTHERWISE SPECIFIED:		NAME	
		0 PLC ± - 1 PLC ± 0.3 2 PLC ± 0.2 3 PLC ± 0.15 4 PLC ± - ANGLES ± 3'		MODULAR JACK, RJ45, STACKED OVER, USB CONN., DIP TYPE	
MATERIAL		FINISH		SIZE	
SEE TABEL		-		A3	
		WEIGHT		CAGE CODE	
		-		00779	
		CUSTOMER DRAWING		DRAWING NO	
				C=1775855	
		SCALE		RESTRICTED TO	
		1:1		-	
		SHEET		REV	
		2 of 5		E	

THIS DRAWING IS UNPUBLISHED.

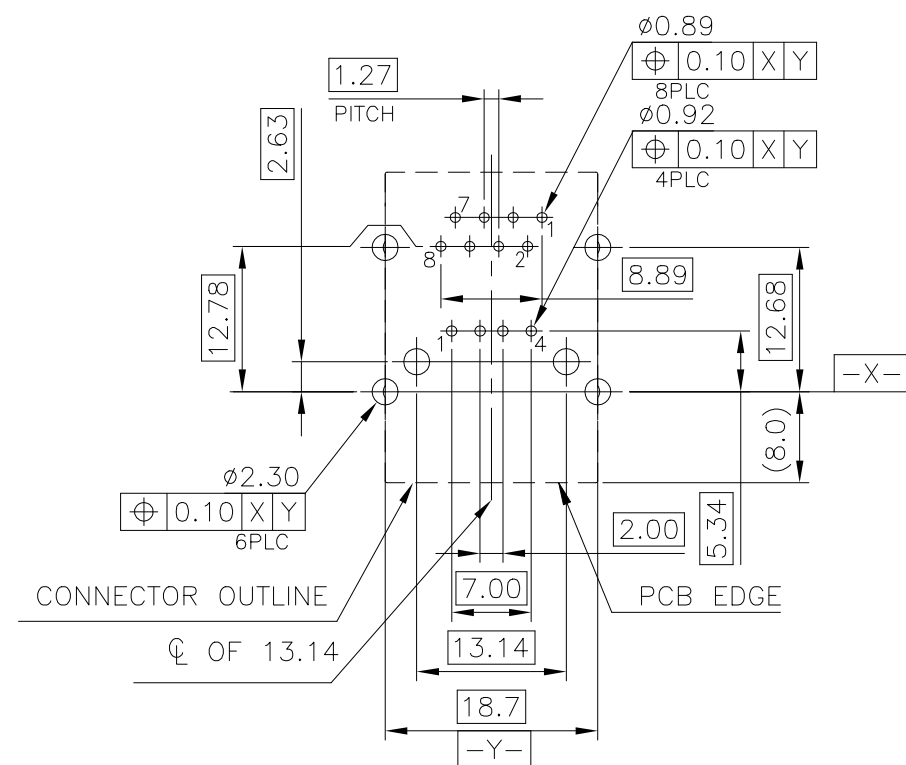
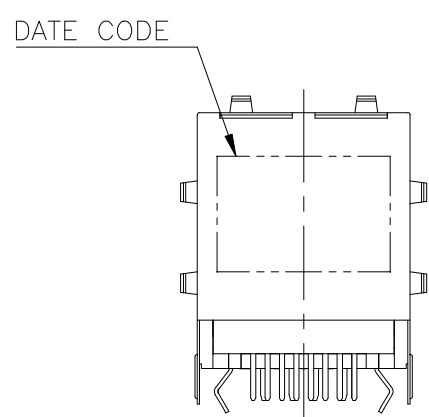
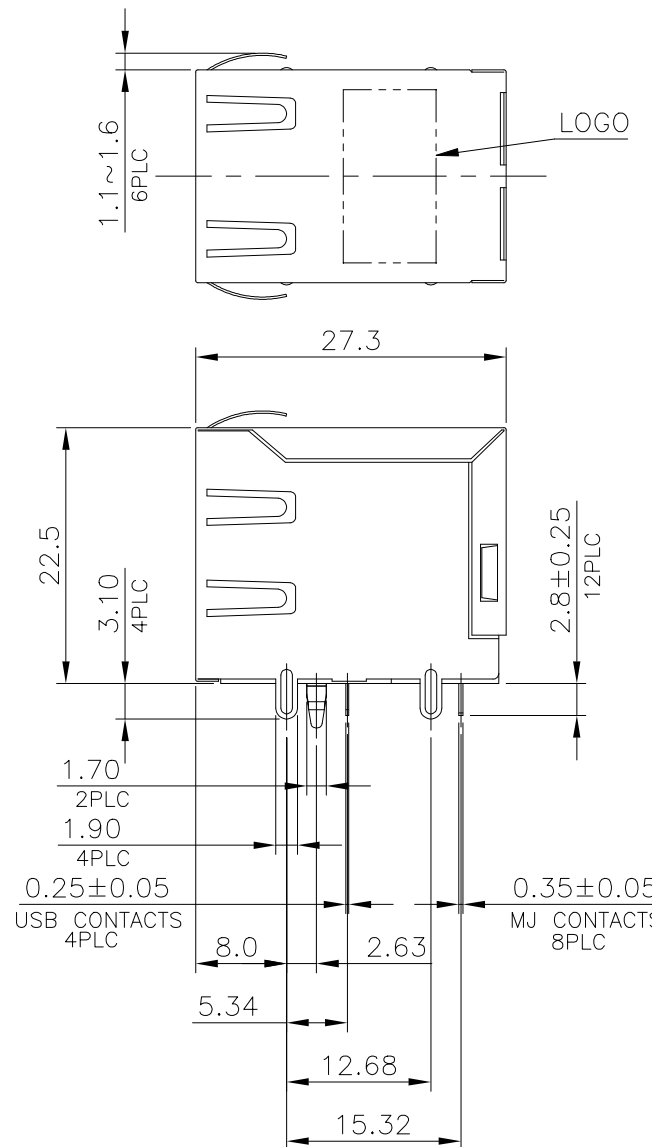
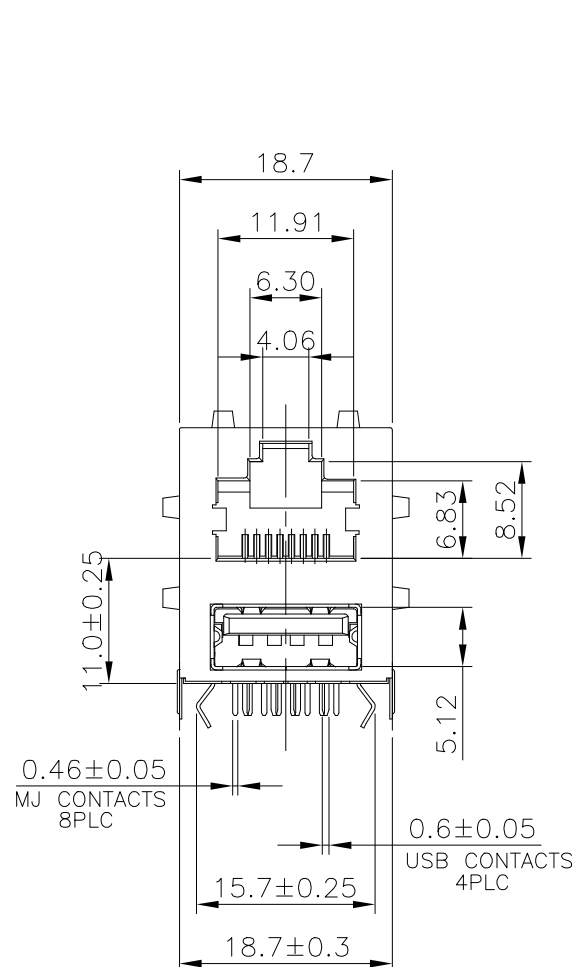
RELEASED FOR PUBLICATION

© COPYRIGHT - TE Connectivity Ltd.

ALL RIGHTS RESERVED.

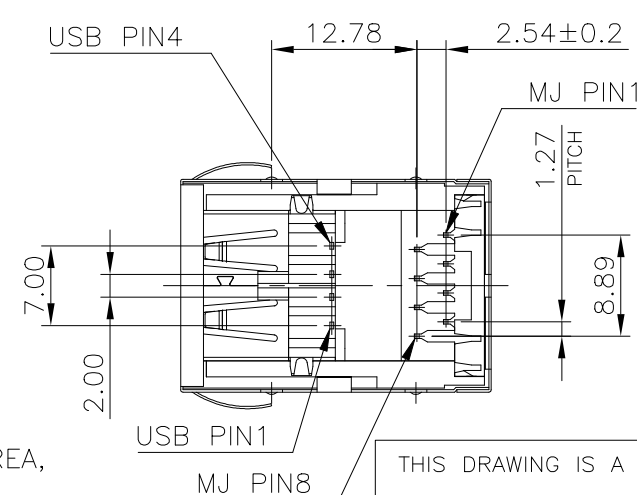
REVISIONS

P	LTR	DESCRIPTION	DATE	DWN	APVD
-	-	SEE SHEET 1	-	-	-



RECOMMENDED PCB LAYOUT  
 RECOMMENDED PCB THICKNESS: 1.6mm  
 TOLERANCE: ±0.05 (TOP VIEW)

- NOTE:
- MATERIAL:
    - MJ HOUSING: PBT, WITH 30% GF, UL94V-0, COLOR: SEE TABLE.
    - MJ CONTACTS: PHOSPHOR BRONZE.
    - MJ SHIELD: BRASS.
    - USB HOUSING: PBT, UL94V-0, COLOR: SEE TABLE.
    - USB CONTACTS: BRASS.
    - USB SHIELD: SPCC.
  - FINISH:
    - MJ CONTACTS: GOLD FLASH PLATED ON CONTACT AREA, GOLD FLASH ON SOLDER TAILS, 1.27um [50u"] MIN. NICKEL UNDERPLATED OVERALL.
    - MJ SHIELD: 0.508um [20u"] MIN. NICKEL PLATED.
    - USB CONTACT: GOLD FLASH PLATED ON CONTACT AREA, 2.54um [100u"] MIN. BRIGHT-TIN PLATED ON SOLDER TAILS, 1.27um [50u"] MIN. NICKEL UNDERPLATED OVERALL.
    - USB SHIELD: 2.032um [80u"] MIN. NICKEL PLATED.
  - WAVE SOLDER CAPABLE TO 265°C PER TE CONNECTIVITY SPEC. 109-202, CONDITION B.



12.69	5-1775855-1
WEIGHT (gram)	PART NUMBER

THIS DRAWING IS A CONTROLLED DOCUMENT.		DWN	12JUN2009	TE Connectivity Ltd. NAME MODULAR JACK, RJ45, STACKED OVER, USB CONN., DIP TYPE											
DIMENSIONS: mm		CHK	12JUN2009												
TOLERANCES UNLESS OTHERWISE SPECIFIED:		APVD	12JUN2009												
<table border="1"> <tr><td>0 PLC</td><td>± -</td></tr> <tr><td>1 PLC</td><td>± 0.3</td></tr> <tr><td>2 PLC</td><td>± 0.2</td></tr> <tr><td>3 PLC</td><td>± 0.15</td></tr> <tr><td>4 PLC</td><td>± -</td></tr> <tr><td>ANGLES</td><td>± 3'</td></tr> </table>		0 PLC	± -		1 PLC	± 0.3	2 PLC	± 0.2	3 PLC	± 0.15	4 PLC	± -	ANGLES	± 3'	PRODUCT SPEC
0 PLC	± -														
1 PLC	± 0.3														
2 PLC	± 0.2														
3 PLC	± 0.15														
4 PLC	± -														
ANGLES	± 3'														
MATERIAL	SEE TABEL	APPLICATION SPEC	-	SIZE	CAGE CODE	DRAWING NO	RESTRICTED TO								
		WEIGHT	-	A3	00779	1775855	-								
CUSTOMER DRAWING				SCALE	1:1	SHEET	3 of 5								
				REV	E										

THIS DRAWING IS UNPUBLISHED.

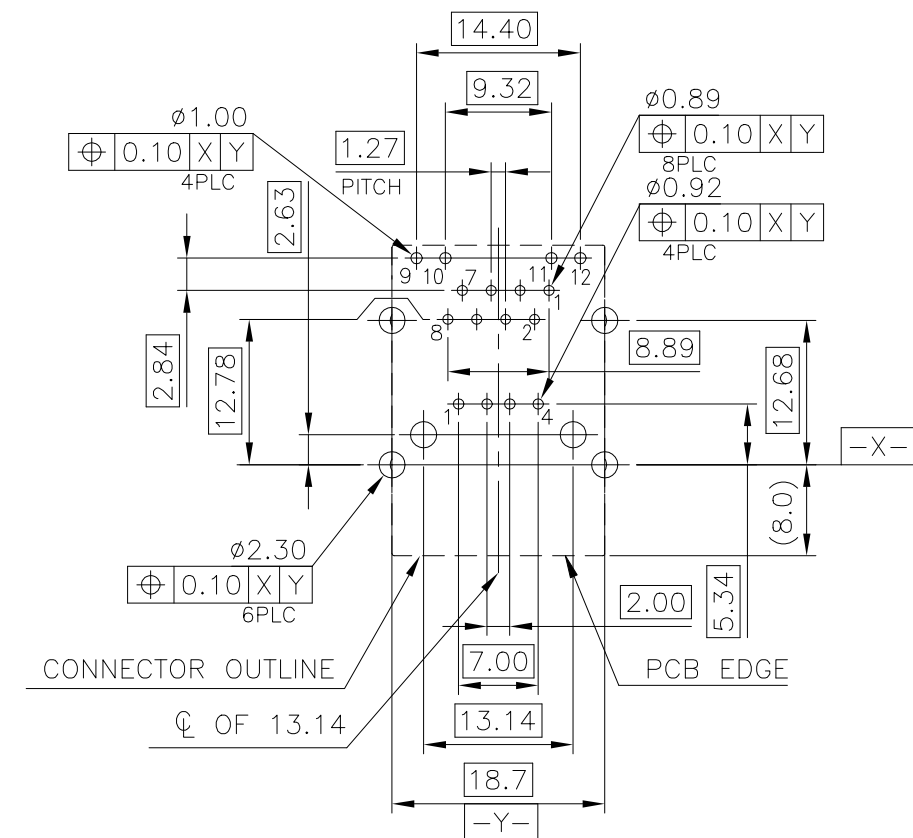
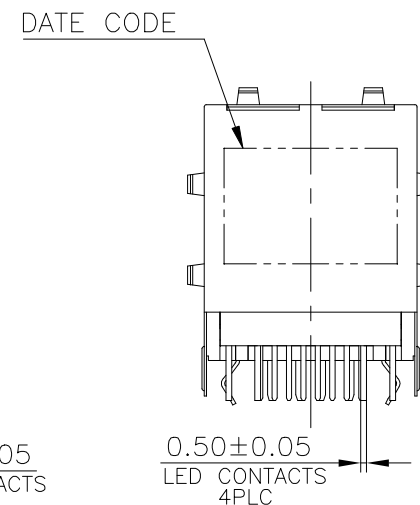
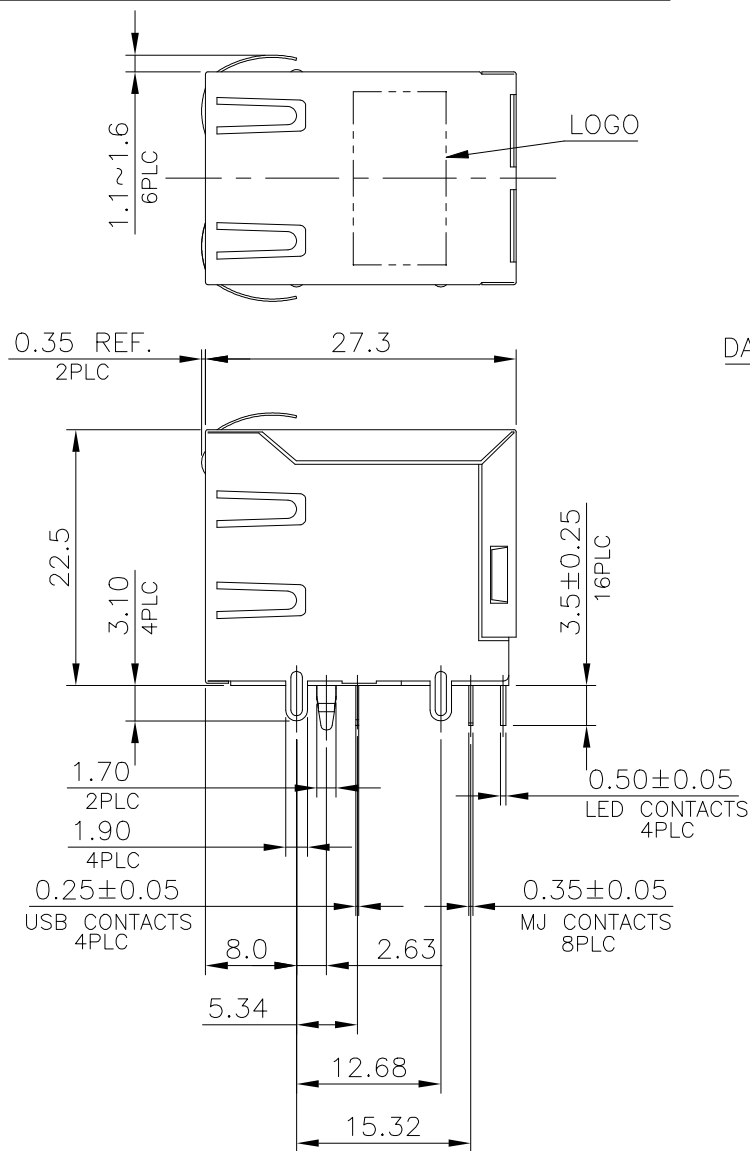
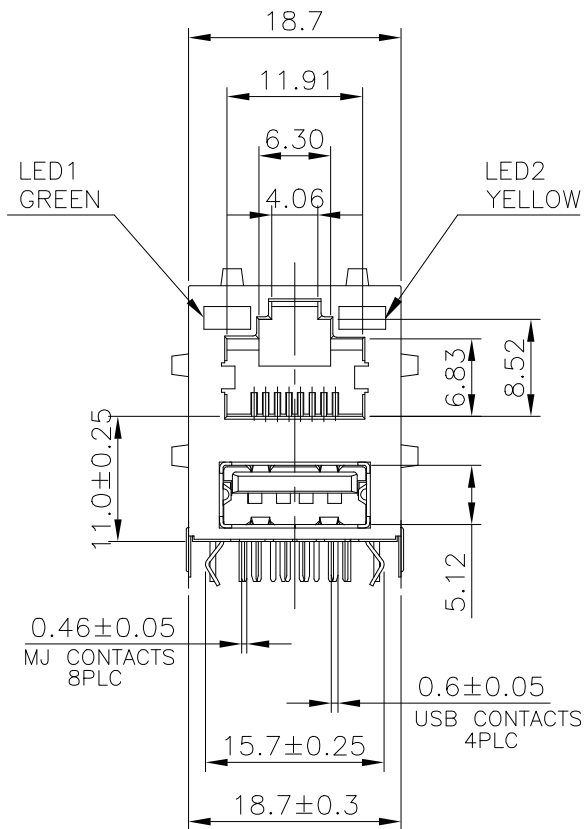
RELEASED FOR PUBLICATION

© COPYRIGHT - TE Connectivity Ltd.

ALL RIGHTS RESERVED.

REVISIONS

P	LTR	DESCRIPTION	DATE	DWN	APVD
-	-	SEE SHEET 1	-	-	-



RECOMMENDED PCB LAYOUT  
 RECOMMENDED PCB THICKNESS: 1.6mm  
 TOLERANCE: ±0.05 (TOP VIEW)

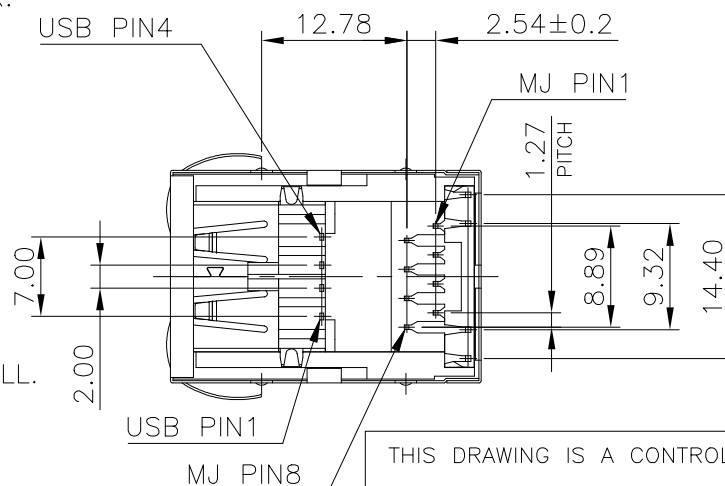
NOTE:

1. MATERIAL:

- 1.1 MJ HOUSING & LED COVER: PBT, WITH 30% GF, UL94V-0, BLACK COLOR.
- 1.2 MJ CONTACTS: PHOSPHOR BRONZE.
- 1.3 MJ SHIELD: BRASS.
- 1.4 LED SOLDER TAIL: EPOXY, STEEL.
- 1.5 USB HOUSING: PBT, UL94V-0, BLACK COLOR.
- 1.6 USB CONTACTS: BRASS.
- 1.7 USB SHIELD: SPCC.

2. FINISH:

- 2.1 MJ CONTACTS: SELECTIVE GOLD PLATED (SEE TABLE) ON CONTACT AREA, GOLD FLASH ON SOLDER TAILS, 1.27um [50u"] MIN. NICKEL UNDERPLATED OVERALL.
  - 2.2 MJ SHIELD: 0.508um [20u"] MIN. NICKEL PLATED.
  - 2.3 LED SOLDER TAIL: 1.02um [40u"] COPPER UNDERPLATED OVERALL. 1.27um [50u"] NICKEL OVERALL. 1.27um [50u"] SILVER ON BONDING AREA. 2.54um [100u"] BRIGHT-TIN ON SOLDER AREA.
  - 2.4 USB CONTACT: SELECTIVE GOLD PLATED (SEE TABLE) ON CONTACT AREA, 2.54um [100u"] MIN. BRIGHT-TIN PLATED ON SOLDER TAILS, 1.27um [50u"] MIN. NICKEL UNDERPLATED OVERALL.
  - 2.5 USB SHIELD: 2.032um [80u"] MIN. NICKEL PLATED.
3. WAVE SOLDER CAPABLE TO 265°C PER TE CONNECTIVITY SPEC. 109-202, CONDITION B.



LED ELECTRICAL CHARACTERISTIC			
NO.	NODE	COLOR	
LED1	9(+)	10(-)	GREEN 9-10
LED2	11(+)	12(-)	YELLOW 11-12

OBSOLETE	12.90	0.762um [30u"]	6-1775855-3
		GOLD FLASH	6-1775855-1
	WEIGHT (gram)	MIN. GOLD THICKNESS	PART NUMBER

THIS DRAWING IS A CONTROLLED DOCUMENT.		DWN	12JUN2009	
		CHK	B. HSING	
		APVD	12JUN2009	
		APVD	S. CHIEN	
		APVD	W. KODAMA	
		PRODUCT SPEC	108-57802	
		APPLICATION SPEC	-	
		WEIGHT	-	
		CUSTOMER DRAWING	SCALE 1:1 SHEET 4 of 5 REV E	

TE Connectivity Ltd.

**TE**

MODULAR JACK, RJ45, STACKED OVER, USB CONN., DIP TYPE

NAME

SIZE CAGE CODE DRAWING NO RESTRICTED TO

A3 00779 C=1775855

THIS DRAWING IS UNPUBLISHED.

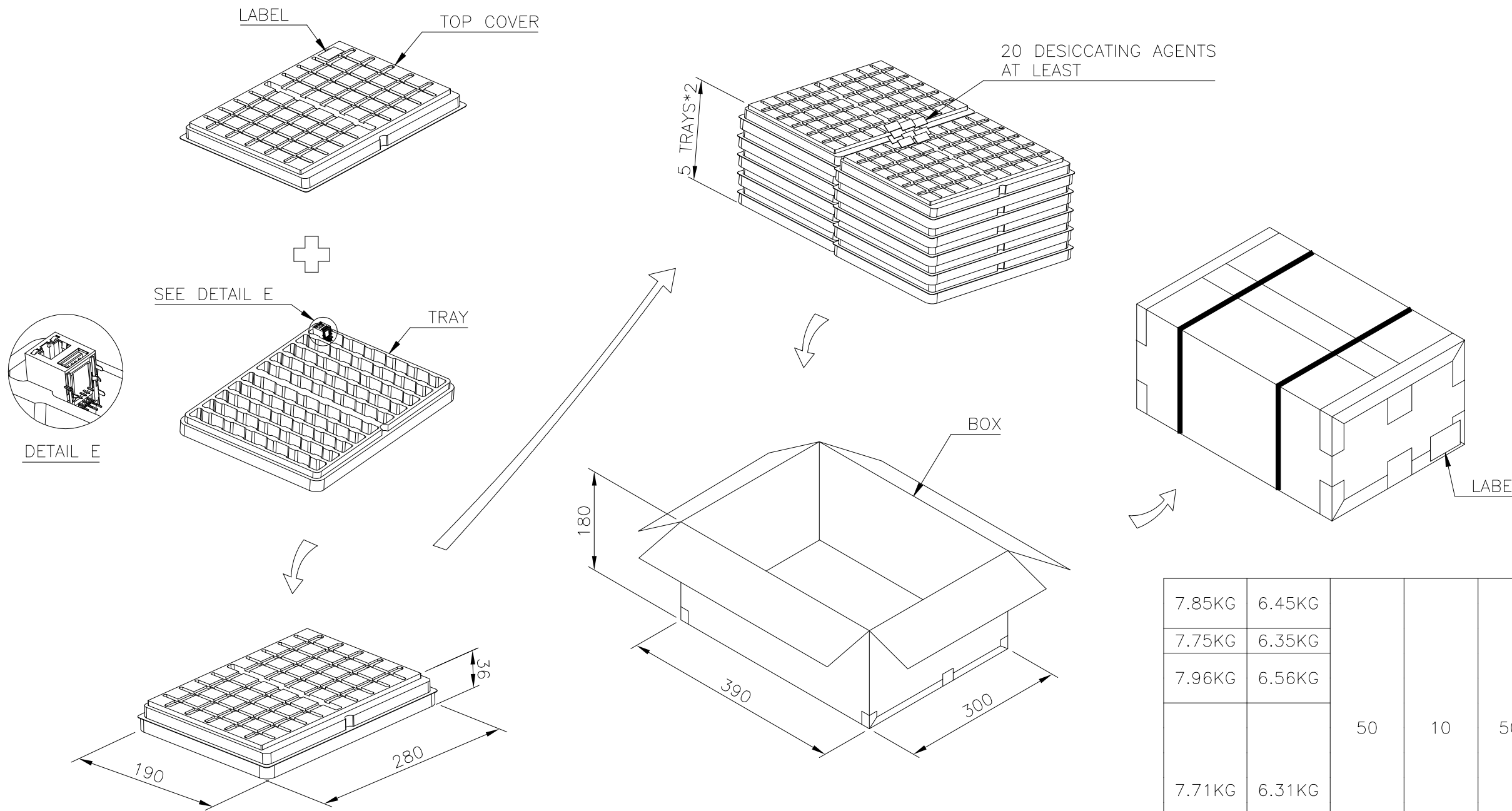
RELEASED FOR PUBLICATION

ALL RIGHTS RESERVED.

© COPYRIGHT - TE Connectivity Ltd.

REVISIONS

P	LTR	DESCRIPTION	DATE	DWN	APVD
-	-	SEE SHEET 1	-	-	-



7.85KG	6.45KG				6-1775855-3
					<del>6-1775855-1</del>
7.75KG	6.35KG				5-1775855-1
					4-1775855-2
7.96KG	6.56KG				4-1775855-1
					<del>3-1775855-1</del>
		50	10	500	<del>2-1775855-2</del>
					<del>2-1775855-1</del>
					1-1775855-1
					1775855-3
					1775855-2
					1775855-1
GROSS WEIGHT	NET WEIGHT	PCS/ TRAY	TRAY/ BOX	PCS/ BOX	PART NUMBER

- NOTES:
- MATERIAL:  
TRAY: PVC.  
BOX: CORRUGATED FIBER.
  - DIMENSION: SEE DRAWING
  - QUANTITY: SEE TABLE
  - WEIGHT: SEE TABLE

THIS DRAWING IS A CONTROLLED DOCUMENT.		DWN	B. HSING	12JUN2009	 TE Connectivity Ltd.
		CHK	S. CHIEN	12JUN2009	
		APVD	W. KODAMA	12JUN2009	
		PRODUCT SPEC			
DIMENSIONS: mm		TOLERANCES UNLESS OTHERWISE SPECIFIED:			NAME
		0 PLC	± -		MODULAR JACK, RJ45, STACKED OVER, USB CONN., DIP TYPE
		1 PLC	± 0.3		
		2 PLC	± 0.2		
		3 PLC	± 0.15		
		4 PLC	± -		
		ANGLES	± 3'		
MATERIAL		FINISH			APPLICATION SPEC
SEE TABEL		-			108-57802
		WEIGHT			-
		CUSTOMER DRAWING			SIZE
					A3
					CAGE CODE
					00779
					DRAWING NO
					1775855
					RESTRICTED TO
					-
					SCALE
					1:1
					SHEET
					5 of 5
					REV
					E

# Mouser Electronics

Authorized Distributor

Click to View Pricing, Inventory, Delivery & Lifecycle Information:

[TE Connectivity:](#)

[4-1775855-2](#)