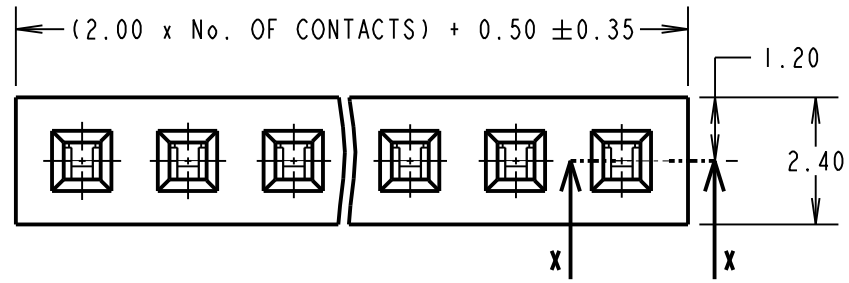


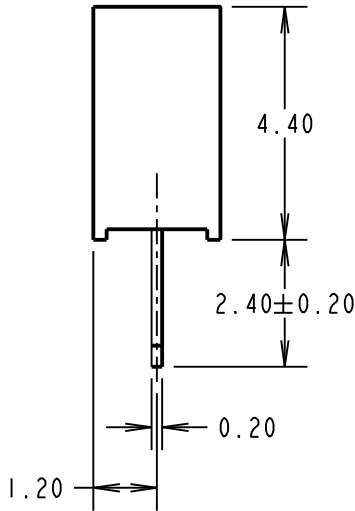
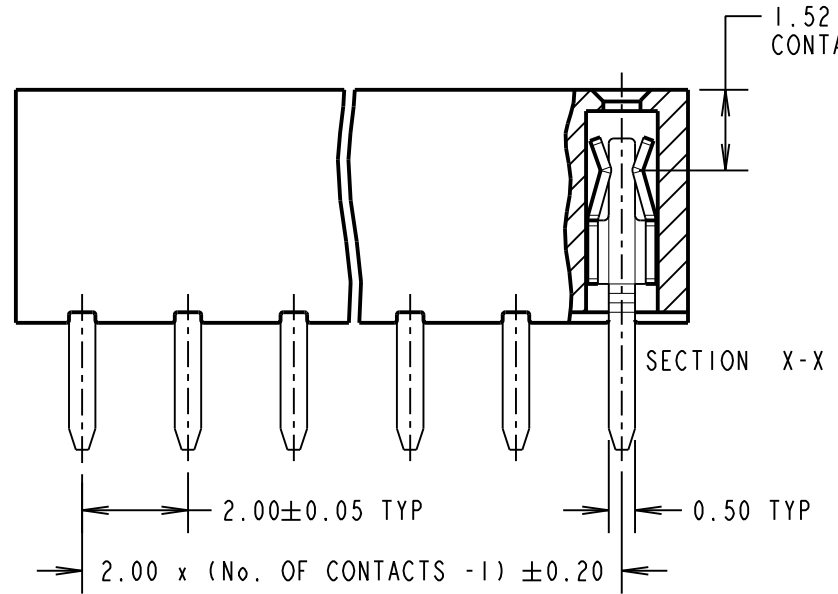
Customer Information Sheet

DRAWING No.: M22-713XXXX SHEET 2 OF 2 IF IN DOUBT - ASK (C) NOT TO SCALE THIRD ANGLE PROJECTION ALL DIMENSIONS IN mm

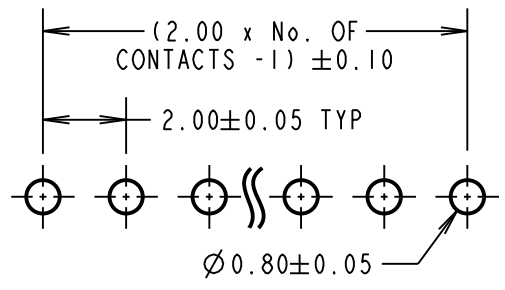


ORDER CODE:
M22-713XX42
 No. OF CONTACTS: _____
 03 TO 20 & 25
 FINISH: _____
 42 = GOLD FLASH ON CONTACT,
 100% TIN ON TAILS

SPECIFICATION:
 MATERIAL:
 MOULDING = LCP UL94V-0, BLACK
 CONTACTS = PHOSPHOR BRONZE
 FINISH: (OVER NICKEL)
 42 = 0.76 - 1.27µ NICKEL ALL OVER,
 GOLD ON CONTACT AREA,
 2.54µ 100% TIN ON TAILS
 MECHANICAL:
 DURABILITY = 5000 CYCLES MAX
 INSERTION FORCE = 2N MAX PER PIN
 WITHDRAWAL FORCE = 0.2N MIN PER PIN
 ELECTRICAL:
 CURRENT RATING = 2A AC/DC
 CONTACT RESISTANCE = 20mΩ MAX
 INSULATION RESISTANCE = 1000MΩ MIN
 DIELECTRIC WITHSTANDING = 500V AC FOR 1 MIN
 ENVIRONMENTAL:
 TEMPERATURE RANGE = -25° TO +105°
 PACKING:
 TUBE
 FOR COMPLETE SPECIFICATION SEE COMPONENT
 SPECIFICATION C018XX (LATEST ISSUE)



NOTE:
 1. ALL TOLERANCES ARE ± 0.15 , UNLESS OTHERWISE STATED.



MSP	9	26.10.16	13421
NAME	ISS.	DATE	C/NOTE
APPROVED:			
CHECKED:			
DRAWN:		J. EVANS	
CUSTOMER REF.:			
ASSEMBLY DRG:			

RECOMMENDED PCB LAYOUT



www.harwin.com
 technical@harwin.com

THIS DRAWING AND ANY INFORMATION OR DESCRIPTIVE MATTER SET OUT HEREON ARE CONFIDENTIAL AND COPYRIGHT PROPERTY OF THE HARWIN GROUP AND MUST NOT BE DISCLOSED, LOANED, COPIED OR USED FOR MANUFACTURING, TENDERING OR FOR ANY OTHER PURPOSE WITHOUT THEIR WRITTEN PERMISSION.

TOLERANCES
 X = ± 1 mm
 X.X = ± 0.50 mm
 X.XX = ± 0.10 mm
 X.XXX = ± 0.01 mm
 ANGLES = $\pm 5^\circ$
 UNLESS STATED

MATERIAL: SEE ABOVE
 FINISH: SEE ABOVE
 S/AREA: mm²

TITLE: 2.00mm PITCH SIL VERTICAL SOCKET ASSEMBLY
 DRAWING NUMBER: M22-713XXXX
 SHT 2 OF 2

Mouser Electronics

Authorized Distributor

Click to View Pricing, Inventory, Delivery & Lifecycle Information:

[Harwin:](#)

[M22-7130342](#) [M22-7130942](#) [M22-7130542](#) [M22-7131442](#) [M22-7131842](#) [M22-7131042](#) [M22-7132042](#) [M22-7131642](#) [M22-7131242](#) [M22-7131942](#) [M22-7131142](#) [M22-7131542](#) [M22-7131342](#) [M22-7132542](#) [M22-7131742](#)
[M22-7130642](#) [M22-7130442](#) [M22-7130842](#) [M22-7130742](#)