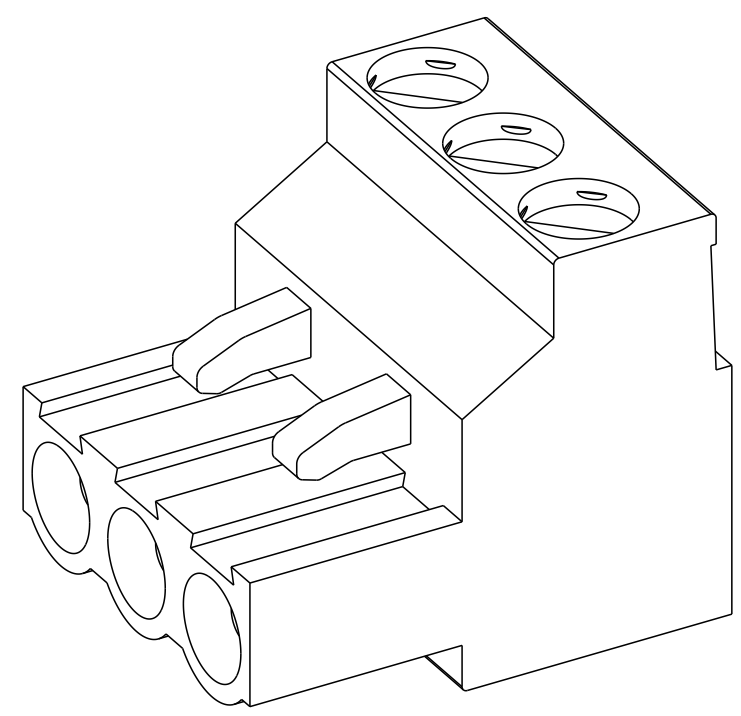
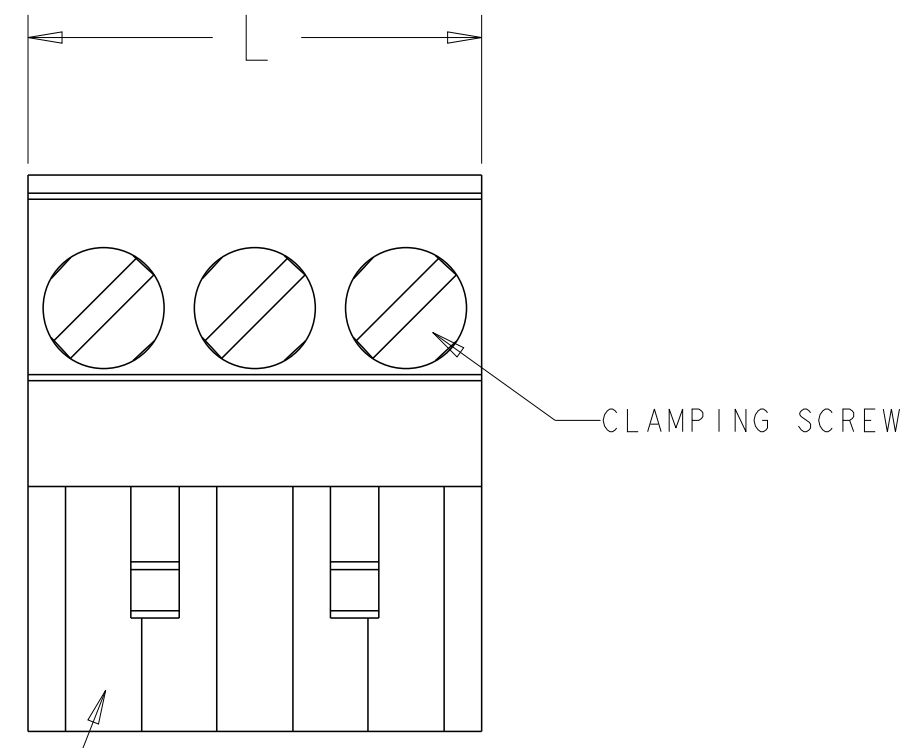
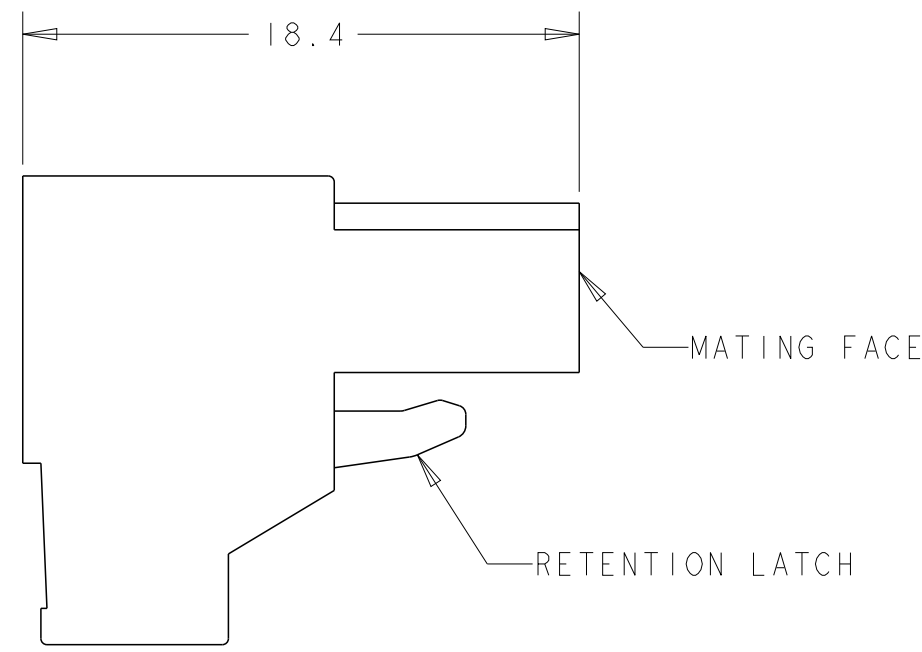
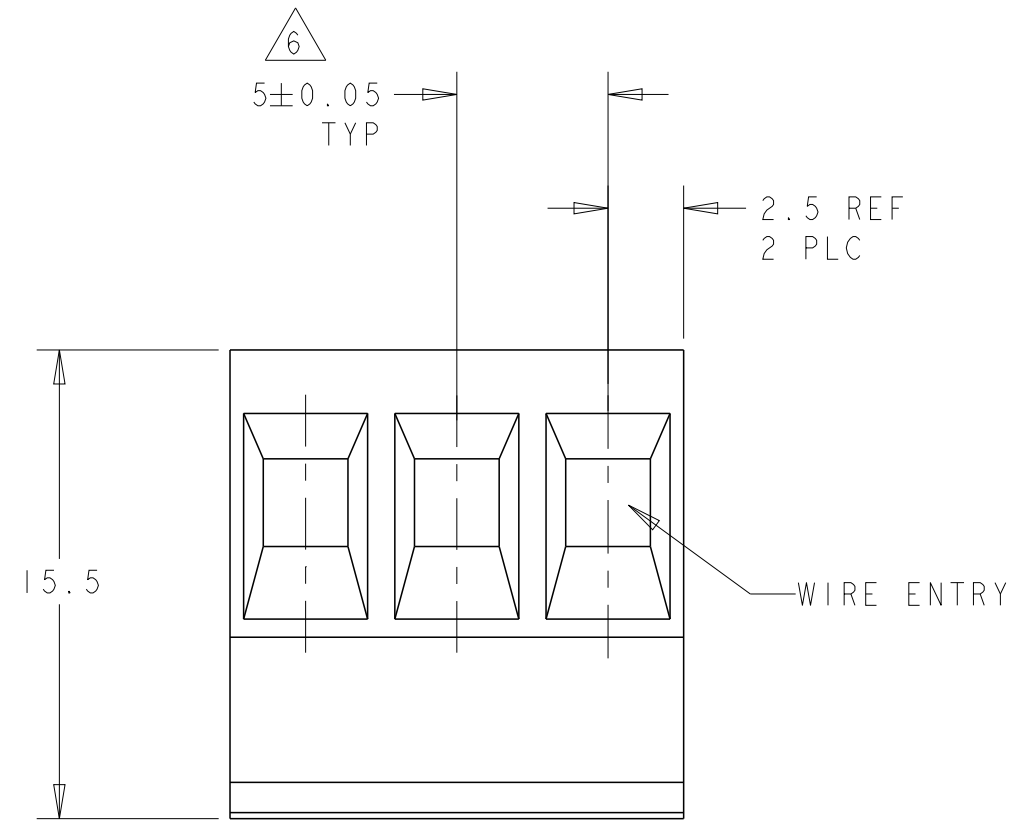


THIS DRAWING IS UNPUBLISHED. RELEASED FOR PUBLICATION 20  
 © COPYRIGHT 20 BY - ALL RIGHTS RESERVED.

LOC		DIST		REVISIONS			
P	LTR	DESCRIPTION		DATE	DWN	APVD	
	F11	REVISED PER ECO-13-007522		03MAY2013	KH	MB	



13	TIN	7	9	MARK 4 TO 1	20.00	4	5-796640-4
13	TIN	7	9	MARK 3 TO 1	15.00	3	5-796640-3
13	TIN	7	9	MARK 1 TO 3	15.00	3	5-796640-2
13	TIN	7	9	MARK 1 TO 3	15.00	3	5-796640-1
13	TIN	7	9	MARK 1 TO 4	20.00	4	5-796640-0
13	TIN	7	9	MARK 15 TO 28	70.00	14	4-796640-9
13	TIN	7	9	MARK 13 TO 24	60.00	12	4-796640-8
13	TIN	7	9	MARK 1 TO 14	70.00	14	4-796640-7
13	TIN	8	9	MARK 1 TO 12	60.00	12	4-796640-6
13	TIN	8	9	MARK 1 TO 7	35.00	7	4-796640-5
13	TIN	8	9	MARK 1 TO 5	25.00	5	4-796640-4
	TIN	8	9	MARK 11 TO 15	25.00	5	4-796640-3
	TIN	-	-	DETAIL S	35.00	7	4-796640-2
	TIN	7	9	MARK 1 TO 3	15.00	3	4-796640-1
	TIN	-	-	DETAIL P	20.00	4	3-796640-9
	TIN	7	9	MARK 1 TO 8	40.00	8	3-796640-8
	TIN	7	9	MARK 37 TO 54	90.00	18	3-796640-7
	TIN	7	9	MARK 19 TO 36	90.00	18	3-796640-6
	TIN	7	9	MARK 1 TO 18	90.00	18	3-796640-5
	TIN	8	9	MARK 1 TO 10	50.00	10	3-796640-4
	TIN	8	9	MARK 1 TO 8	40.00	8	3-796640-3
	TIN	7	-	DETAIL N	30.00	6	3-796640-0
	TIN	7	9	MARK 1 TO 6	30.00	6	2-796640-9
	TIN	-	-	-	125.00	25	2-796640-5
	TIN	-	-	-	120.00	24	2-796640-4
	TIN	-	-	-	115.00	23	2-796640-3
	TIN	-	-	-	110.00	22	2-796640-2
	TIN	-	-	-	105.00	21	2-796640-1
	TIN	-	-	-	100.00	20	2-796640-0
	TIN	-	-	-	95.00	19	1-796640-9
	TIN	-	-	-	90.00	18	1-796640-8
	TIN	-	-	-	85.00	17	1-796640-7
	TIN	-	-	-	80.00	16	1-796640-6
	TIN	-	-	-	75.00	15	1-796640-5
	TIN	-	-	-	70.00	14	1-796640-4
	TIN	-	-	-	65.00	13	1-796640-3
	TIN	-	-	-	60.00	12	1-796640-2
	TIN	-	-	-	55.00	11	1-796640-1
	TIN	-	-	-	50.00	10	1-796640-0
	TIN	-	-	-	45.00	9	796640-9
	TIN	-	-	-	40.00	8	796640-8
	TIN	-	-	-	35.00	7	796640-7
	TIN	-	-	-	30.00	6	796640-6
	TIN	-	-	-	25.00	5	796640-5
	TIN	-	-	-	20.00	4	796640-4
	TIN	-	-	-	15.00	3	796640-3
	TIN	-	-	-	10.00	2	796640-2

TERMINAL PLATING	MARKING	SPECIAL	L	NO OF POSN	PART NUMBER
------------------	---------	---------	---	------------	-------------

THIS DRAWING IS A CONTROLLED DOCUMENT.

DWN: S. WELDON 18OCT2000  
 CHK: D. BIEVENOUR 18OCT2000  
 APVD: D. BIEVENOUR 18OCT2000

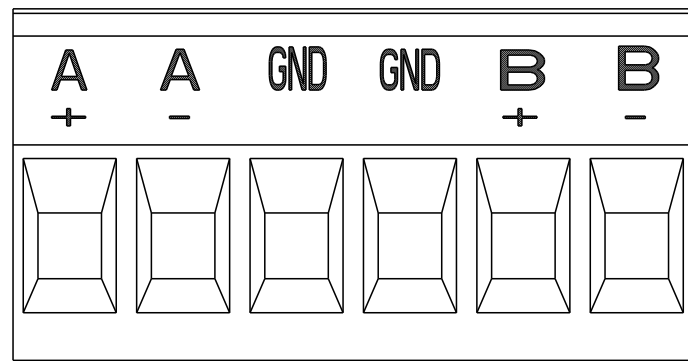
**STE** TE Connectivity

NAME: TERMINAL BLOCK, PLUG, STACKING  
 5.00mm PITCH

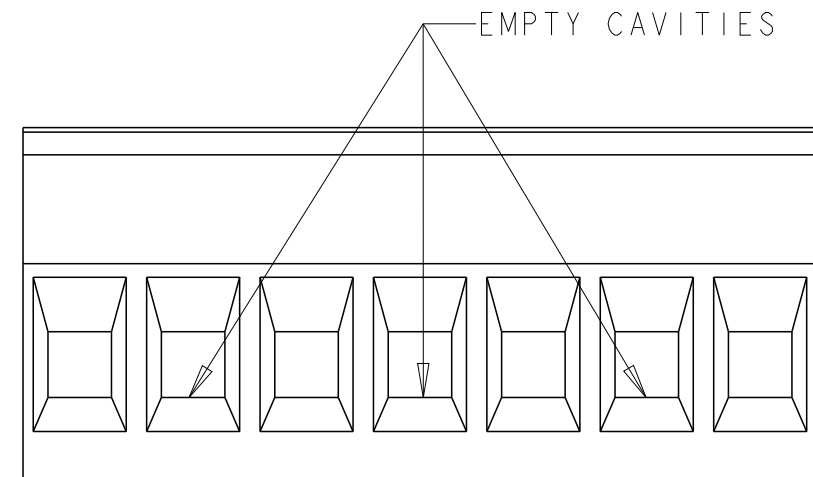
SIZE: A2 CAGE CODE: 00779 DRAWING NO: C-796640

SCALE: 4:1 SHEET 1 OF 2 REV F11

LOC		DIST		REVISIONS			
P	LTR	DESCRIPTION	DATE	DWN	APVD		
-	-	SEE SHEET 1	-	-	-		



DETAIL N

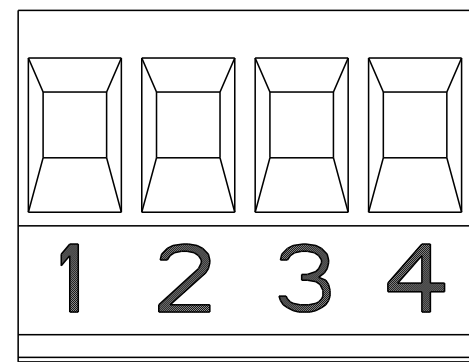


DETAIL S

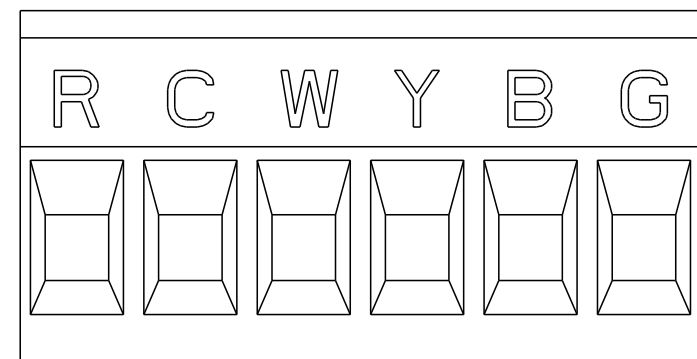
1. MATERIALS AND FINISH:  
 HOUSING: PA 6-6, UL 94-V0, COLOR: GREEN.  
 CLAMP: BRASS, NICKEL PLATED.  
 DOUBLE SIDE CONTACT SPRING: PHOSPHOR BRONZE, PLATING: SEE TABLE.  
 CLAMPING SCREW: M3, BRASS, NICKEL PLATED.

2. END-TO-END STACKABLE WITHOUT LOSS OF CENTERLINE SPACING.  
 3. WIRE SIZE RANGE: 12-30 AWG.  
 4. RECOGNIZED UNDER THE COMPONENT PROGRAM OF UNDERWRITERS LABORATORIES INC. FILE N° E60677.  
 5. IQM CERTIFICATE WITH SURVEILLANCE IN CONFORMITY WITH IEC 998-1/998-2-1.

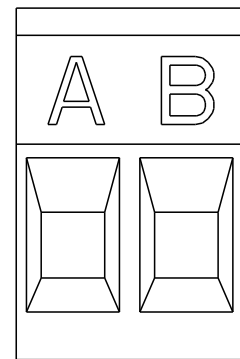
6. NOT CUMULATIVE TOLERANCE  
 7. INK MARKING: BLACK COLOR.  
 8. INK MARKING: WHITE COLOR.  
 9. NUMERICAL SEQUENCE: FROM LEFT TO RIGHT, WIRE ENTRY SIDE.  
 10. RETENTION LATCHES REMOVED  
 11. BUCHANAN LOGO TO APPEAR ON HOUSING, LOCATION OPTIONAL WHERE SPACE PERMITS.  
 12. WIRE ENTRY CLOSED.  
 13. PRELIMINARY - NOT FOR PRODUCTION.  
 14. NUMERICAL SEQUENCE: FROM RIGHT TO LEFT, WIRE ENTRY SIDE.



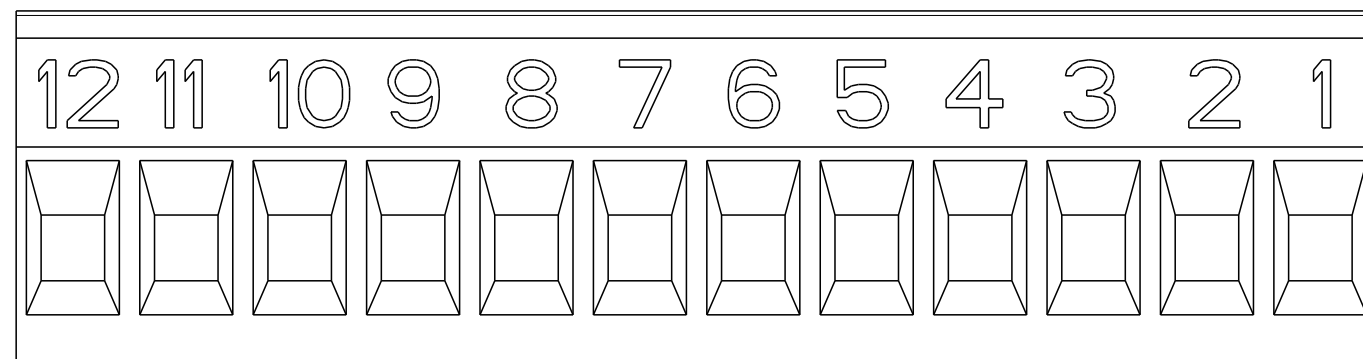
DETAIL P



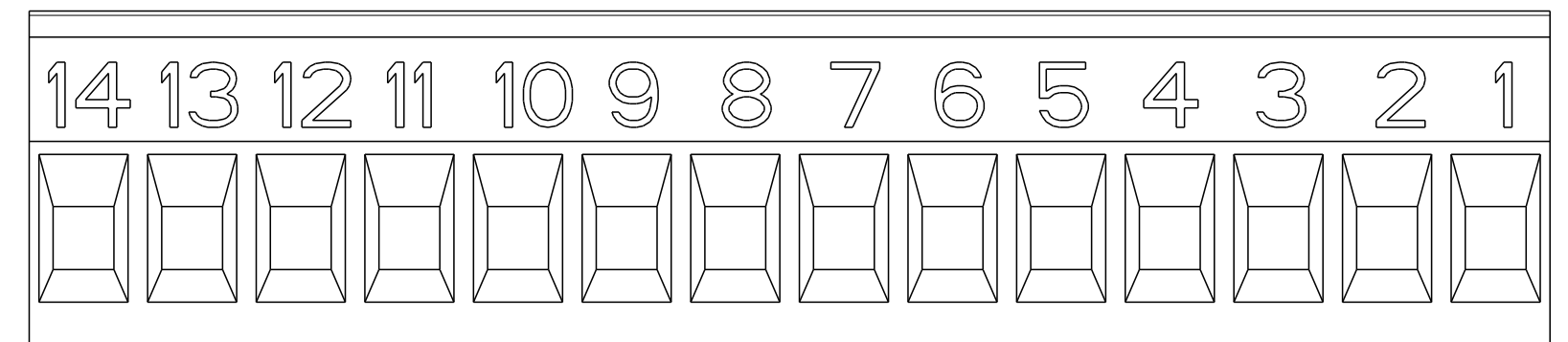
DETAIL T



DETAIL U

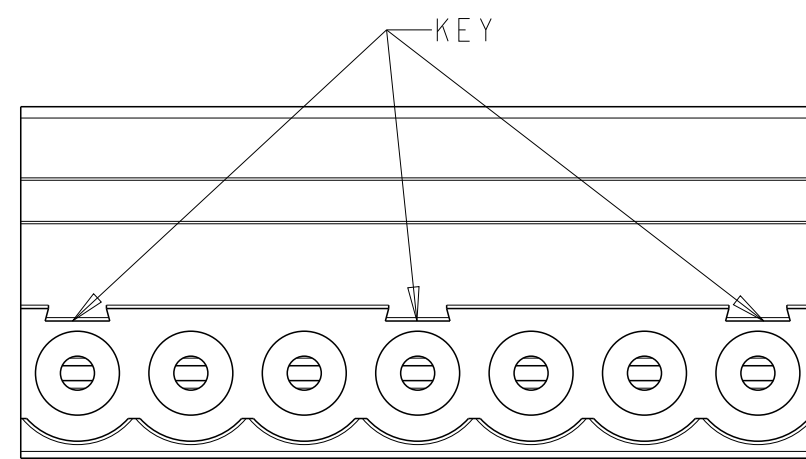


DETAIL V

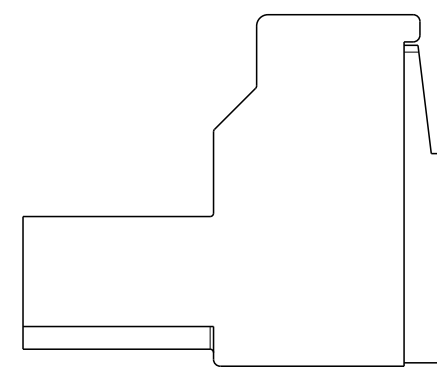


DETAIL X

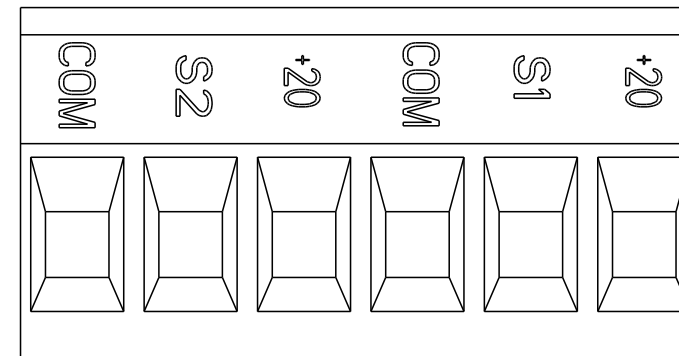
13	TIN	7	DETAIL Y	30.00	6	6-796640-5
13	TIN	7 14	DETAIL X	70.00	14	6-796640-4
13	TIN	-	DETAIL W, NO LATCH KEY POSN 1,4,7	35.00	7	6-796640-1
13	TIN	7 14	DETAIL V	60.00	12	6-796640-0
13	GOLD FLASH	-	-	35.00	7	5-796640-9
	TIN	7	DETAIL U	10.00	2	5-796640-8
	TIN	7	DETAIL T	30.00	6	5-796640-7
13	TIN	7 9	MARK 13 TO 24	60.00	12	5-796640-6
13	TIN	7 9	MARK 25 TO 38	70.00	14	5-796640-5
	TERMINAL PLATING	MARKING	SPECIAL	L	NO OF POSN	PART NUMBER



DETAIL W



DETAIL Y



THIS DRAWING IS A CONTROLLED DOCUMENT.

DIMENSIONS: mm	TOLERANCES UNLESS OTHERWISE SPECIFIED: 0 PLC ± 1 PLC ±0.3 2 PLC ±0.25 3 PLC ± 4 PLC ± ANGLES ±2 FINISH	DWN S. WELDON 18OCT2000 CHK D. BLEVENOUR 18OCT2000 APVD D. BLEVENOUR 18OCT2000	TE Connectivity <b>TERMINAL BLOCK, PLUG, STACKING</b> 5.00mm PITCH	
MATERIAL		PRODUCT SPEC	SIZE	RESTRICTED TO
		APPLICATION SPEC	A200779	
		WEIGHT	CAGE CODE	
		CUSTOMER DRAWING	G-796640	
		SCALE 4:1	DRAWING NO	
			SHEET 2 OF 2	
			REV	

# Mouser Electronics

Authorized Distributor

Click to View Pricing, Inventory, Delivery & Lifecycle Information:

[TE Connectivity:](#)

[796640-6](#)