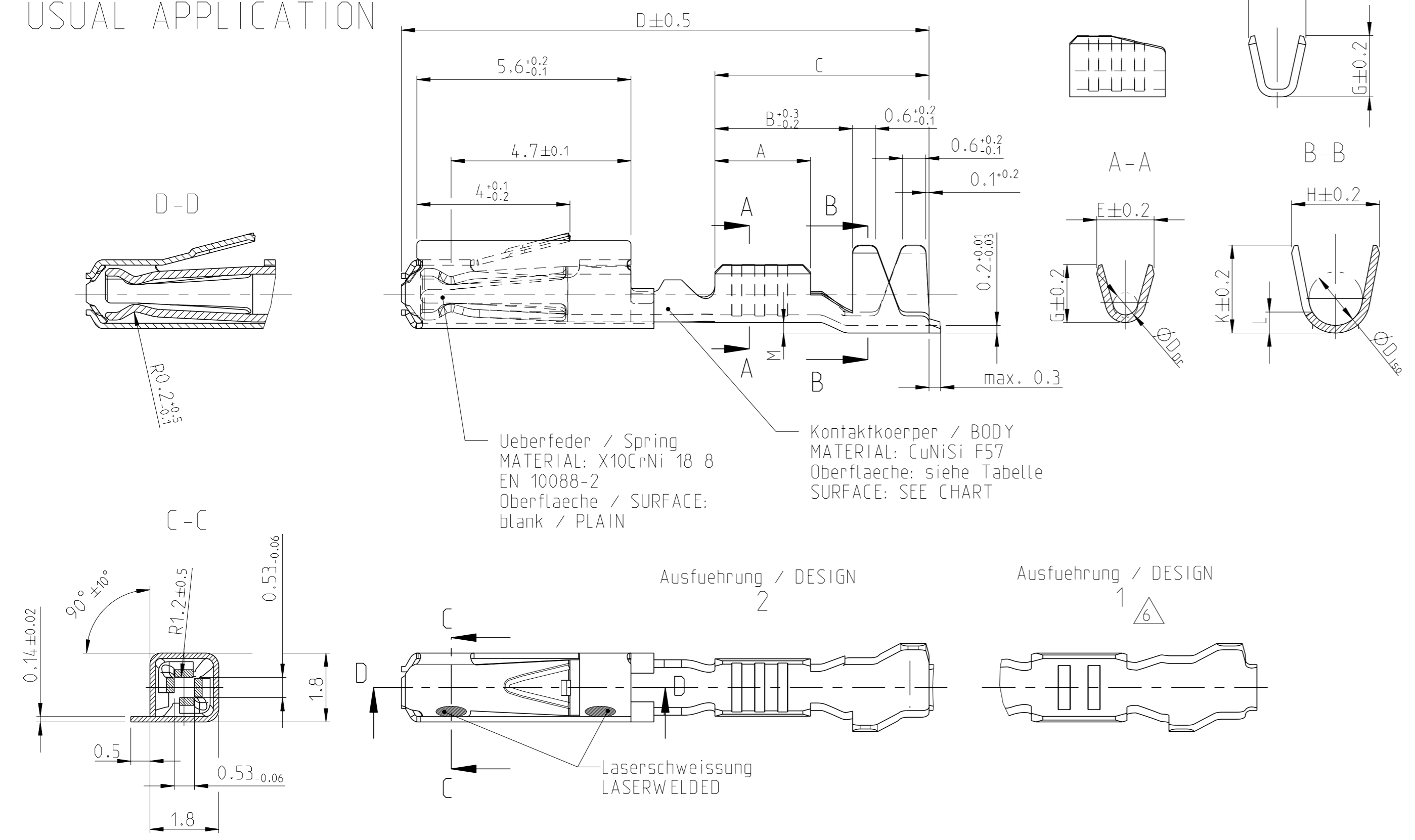
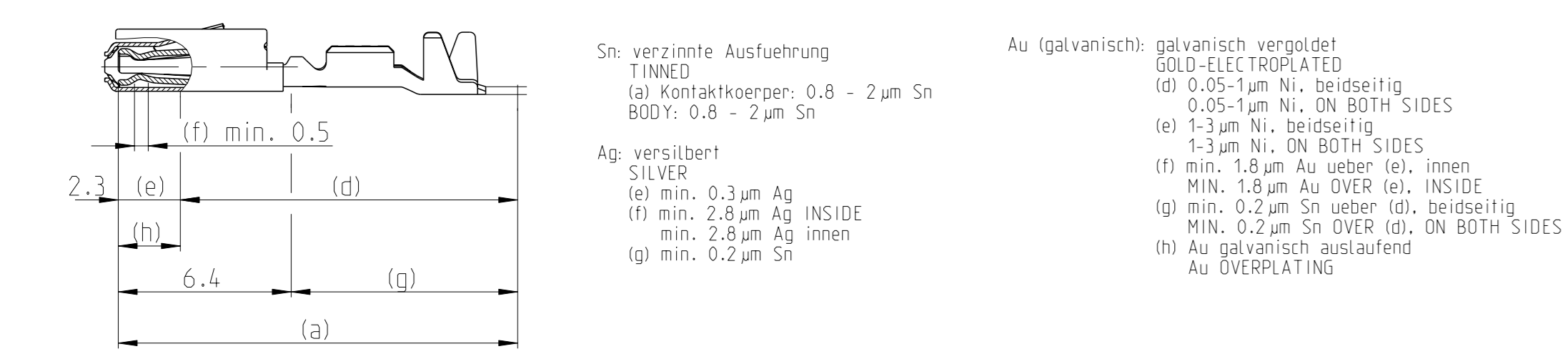


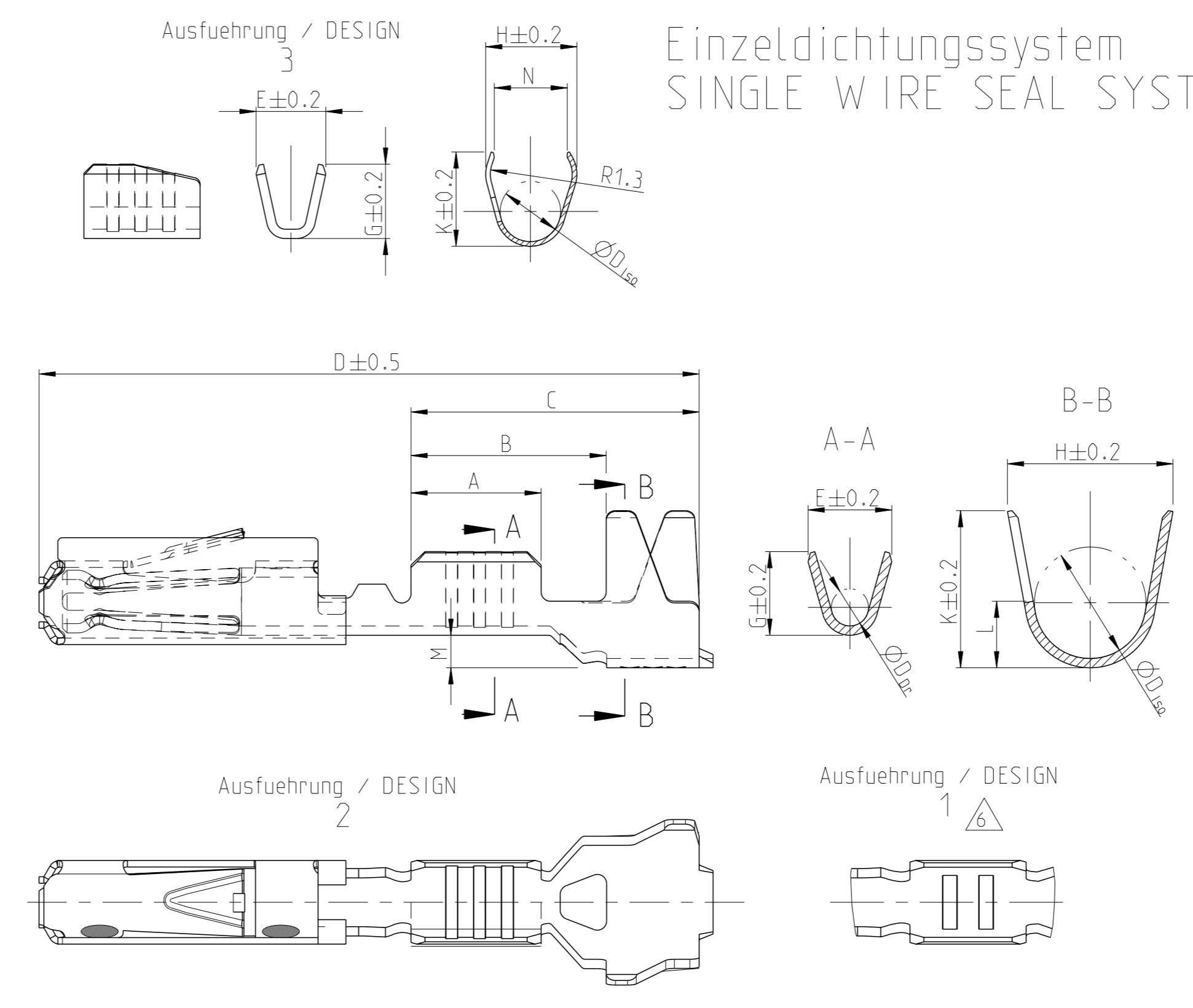
### Normale Anwendung USUAL APPLICATION



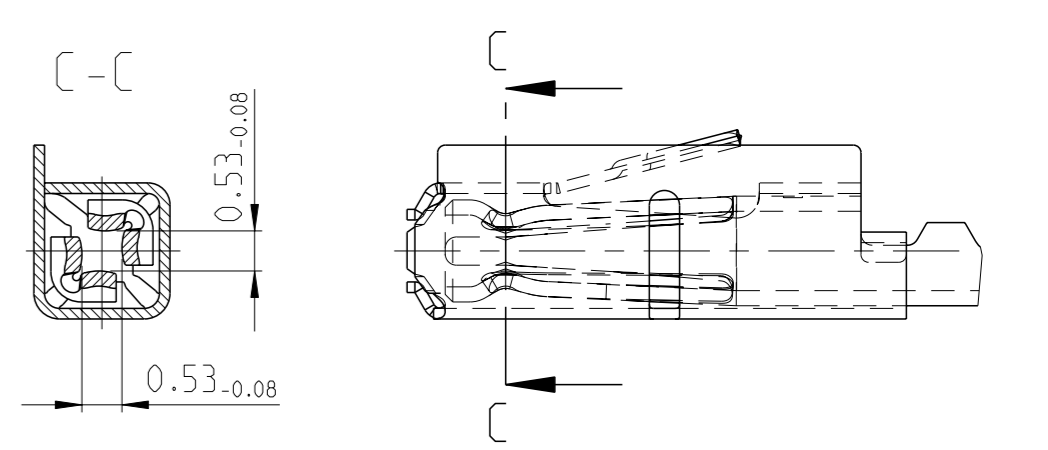
### Oberflaeche / FINISH



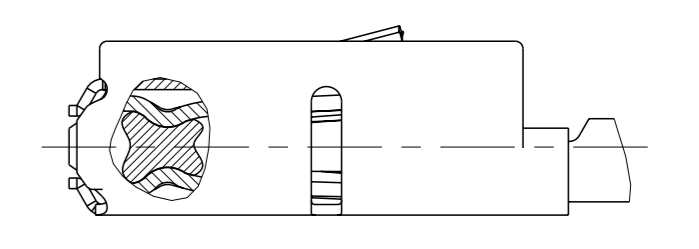
### Einzeldichtungssystem SINGLE WIRE SEAL SYSTEM



### vergoldete Ausfuehrung GOLD VERSION



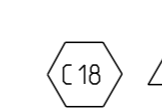
### GEL VERSION



REV	DATE	DESCRIPTION	BY	CHK
C15	31MAY2016	DIM. (h) ADDED. ECR-16-007815	Abr	BRUN
C16	04AUG2016	Stamp code faded out	MAH	BRUN
C17	23AUG2016	Date code removed. ECR-16-012067	ABR	BRUN
C18	21NOV2017	Text for NOTE 5 removed	MAH	BRUN

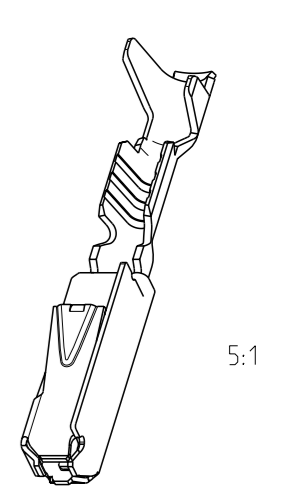
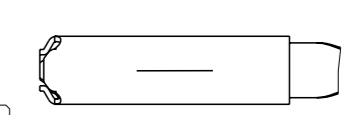
### Bemerkungen

- Datumscode (Woche/Jahr z.B. KW 38/Jahr2009) und TE-Revision (z.B. Rev.A) DATE CODE (WEEK/YEAR E.G. WEEK NUMBER 38/YEAR2009) AND TE REVISION (E.G. REV. A)
- Passend zu Stiftkontakt siehe Zeichnung 929453 SUITABLE FOR PIN CONTACT SEE DRAWING 929453
- Einzelheiten der Ausfuehrung bleiben dem Hersteller ueberlassen DETAILS OF DESIGN ARE LEFT TO MANUFACTURER
- Nur fuer FLR-Leitung nach DIN 72551 Teil 6 FOR FLR-CONDUCTOR ACCORDING TO DIN 72551-6 ONLY



- nicht fuer Neuanwendung NOT FOR NEW APPLICATION
- zugestaerkte Leitung nach LV 112-4 REINFORCED WIRE ACCORDING LV 112-4

- Bei doppelt fallenden Werkzeugen wird die erste Ueberfeder mit einer Kennzeichnung "-" versehen WITH DOUBLE OUT DIES THE FIRST SPRING WILL BE PROVIDED WITH AN INDICATION "-"



Bestell-Nr. Ausfuehrung ORDER NO. DESIGN	Bestell-Nr. Ausfuehrung ORDER NO. DESIGN	Rev	Bestell-Nr. Ausfuehrung ORDER NO. DESIGN	Rev	VERSION	DGB Wire Size Range mm <sup>2</sup>	Oberflaeche SURFACE	Laenge LENGTH mm	Drahtcrimp WIRE CRIMP mm	Iso-crimp INSU-CRIMP mm	Gewicht WEIGHT g	Verarbeitung Spez. APPLICATION SPEC.	DGB Wire Size Range mm <sup>2</sup>	Isolations Ø INSULATION DIA. mm	fuer Kammer Ø3.45 FOR CAVITY DIA. 3.45 mm	Blindstopfen RUBBER PLUG	fuer Kammer Ø4 FOR CAVITY DIA. 4 mm	Blindstopfen RUBBER PLUG					
6-965906-5	1-965906-5	E	1-965906-5	D	Einzeldichtungssystem SINGLE WIRE SEAL SYSTEM	0.50-0.75	Au+Gel	A = 2.8 B = 4.2 C = 6.2 D = 14.3 M = 0.7	E = 2 G = 2.1 D <sub>Dr</sub> = 1	H = 3.5 K = 3.4 L = 1.5 D <sub>ISO</sub> = 2.4	0.13		0.75	1.4-1.9	967067-1 gruen GREEN	967056-1 blau / BLUE	963142-1 schwarz BLACK	967056-1 blau / BLUE					
5-965906-6	965906-6	D	965906-6	C			Ag	A = 2.5 B = 3.9 C = 5.9 D = 14 M = 0.7	E = 1.8 G = 1.8 D <sub>Dr</sub> = 0.8	H = 3.5 K = 3.4 L = 1.5 D <sub>ISO</sub> = 2.4									0.35	0.9-1.4	967067-2 gelb YELLOW	963142-2 grau GREY	
5-965906-5	965906-5	E	965906-5	D			Au	A = 2.5 B = 4.3 C = 6.2 D = 13.7 M = 0.6	E = 1.5 G = 1.4	H = 4 K = 4.1 L = 3.1 D <sub>ISO</sub> = 2.6									0.2	0.85-1.25	967067-2 gelb YELLOW	963142-2 grau GREY	
5-965906-1	965906-1	D	965906-1	C			Sn	A = 2.8 B = 4.2 C = 6.2 D = 14.3 M = 0.7	E = 2 G = 2.1 D <sub>Dr</sub> = 1	H = 3.5 K = 3.4 L = 1.5 D <sub>ISO</sub> = 2.4									0.13	0.9-1.4	967067-2 gelb YELLOW	963142-2 grau GREY	
5-962885-6	962885-6	J	962885-6	H			Ag	A = 2.5 B = 3.6 C = 5.6 D = 13.7 M = 0.2	E = 1.8 G = 1.8 D <sub>Dr</sub> = 0.8	H = 2.3 K = 2.3 L = 0.6 D <sub>ISO</sub> = 1.4									0.11				
5-962885-5	962885-5	K	962885-5	J	normale Anwendung USUAL APPLICATION	0.25-0.35	Au+Gel	A = 2.8 B = 4.3 C = 6.2 D = 13.7 M = 0.7	E = 2 G = 2.1 D <sub>Dr</sub> = 1	H = 2.7 K = 2.9 L = 0.7 D <sub>ISO</sub> = 1.6	0.11		0.11										
5-962885-1	962885-1	J	962885-1	H			Ag	A = 2.5 B = 3.6 C = 5.6 D = 13.7 M = 0.2	E = 1.8 G = 1.8 D <sub>Dr</sub> = 0.8	H = 2.3 K = 2.3 L = 0.6 D <sub>ISO</sub> = 1.4										0.11			
2141826-6	2141826-6	A	2141826-6	A			Au	A = 2.5 B = 3.7 C = 5.4 D = 13.7 M = 0	E = 1.5 G = 1.5 D <sub>Dr</sub> = 0.65	H = 2 K = 1.9 D <sub>ISO</sub> = 1.1										0.13 / 0.17			
2141826-5	2141826-5	A	2141826-5	A			Sn	A = 2.5 B = 3.7 C = 5.4 D = 13.7 M = 0	E = 1.5 G = 1.5 D <sub>Dr</sub> = 0.65	H = 2 K = 2 D <sub>ISO</sub> = 1.1										0.1			
2141826-1	2141826-1	A	2141826-1	A			Au	A = 2.5 B = 3.7 C = 5.4 D = 13.7 M = 0	E = 1.5 G = 1.5 D <sub>Dr</sub> = 0.65	H = 2 K = 2 D <sub>ISO</sub> = 1.1										0.1			
6-963715-5	1-963715-5	K	1-963715-5	J		0.50-0.75	Au+Gel	A = 2.8 B = 4.3 C = 6.2 D = 13.7 M = 0.7	E = 2 G = 2.1 D <sub>Dr</sub> = 1	H = 2.7 K = 2.9 L = 0.7 D <sub>ISO</sub> = 1.6	0.11		0.11										
5-963715-6	963715-6	J	963715-6	H			Ag	A = 2.5 B = 3.6 C = 5.6 D = 13.7 M = 0.2	E = 1.8 G = 1.8 D <sub>Dr</sub> = 0.8	H = 2.3 K = 2.3 L = 0.6 D <sub>ISO</sub> = 1.4									0.11				
5-963715-5	963715-5	K	963715-5	J			Au	A = 2.5 B = 3.7 C = 5.4 D = 13.7 M = 0	E = 1.5 G = 1.5 D <sub>Dr</sub> = 0.65	H = 2 K = 1.9 D <sub>ISO</sub> = 1.1									0.1				
5-963715-1	963715-1	J	963715-1	H			Sn	A = 2.5 B = 3.7 C = 5.4 D = 13.7 M = 0	E = 1.5 G = 1.5 D <sub>Dr</sub> = 0.65	H = 2 K = 2 D <sub>ISO</sub> = 1.1									0.1				
6-928999-5	1-928999-5	T	1-928999-5	S			Au+Gel	A = 2.8 B = 4.3 C = 6.2 D = 13.7 M = 0.7	E = 2 G = 2.1 D <sub>Dr</sub> = 1	H = 2.7 K = 2.9 L = 0.7 D <sub>ISO</sub> = 1.6									0.11				
5-928999-6	928999-6	S	928999-6	R	Ag	A = 2.5 B = 3.6 C = 5.6 D = 13.7 M = 0.2	E = 1.8 G = 1.8 D <sub>Dr</sub> = 0.8	H = 2.3 K = 2.3 L = 0.6 D <sub>ISO</sub> = 1.4	0.11														
5-928999-5	928999-5	T	928999-5	S	Au	A = 2.5 B = 3.7 C = 5.4 D = 13.7 M = 0	E = 1.5 G = 1.5 D <sub>Dr</sub> = 0.65	H = 2 K = 2 D <sub>ISO</sub> = 1.1	0.1														
5-928999-1	928999-1	S	928999-1	R	Sn	A = 2.5 B = 3.7 C = 5.4 D = 13.7 M = 0	E = 1.5 G = 1.5 D <sub>Dr</sub> = 0.65	H = 2 K = 2 D <sub>ISO</sub> = 1.1	0.1														
2141824-6	2141824-6	A	2141824-6	A	Ag	A = 2.5 B = 3.6 C = 5.6 D = 13.7 M = 0.2	E = 1.8 G = 1.8 D <sub>Dr</sub> = 0.8	H = 2.3 K = 2.3 L = 0.6 D <sub>ISO</sub> = 1.4	0.13 / 0.17														
2141824-5	2141824-5	A	2141824-5	A	Au	A = 2.5 B = 3.7 C = 5.4 D = 13.7 M = 0	E = 1.5 G = 1.5 D <sub>Dr</sub> = 0.65	H = 2 K = 2 D <sub>ISO</sub> = 1.1	0.1														
2141824-1	2141824-1	A	2141824-1	A	Sn	A = 2.5 B = 3.7 C = 5.4 D = 13.7 M = 0	E = 1.5 G = 1.5 D <sub>Dr</sub> = 0.65	H = 2 K = 2 D <sub>ISO</sub> = 1.1	0.1														
1355717-5	1355717-5	C	1355717-5	C	Au	A = 2.5 B = 3.7 C = 5.4 D = 13.7 M = 0	E = 1.5 G = 1.5 D <sub>Dr</sub> = 0.65	H = 2 K = 2 D <sub>ISO</sub> = 1.1	0.1														
1355717-1	1355717-1	C	1355717-1	C	Sn	A = 2.5 B = 3.7 C = 5.4 D = 13.7 M = 0	E = 1.5 G = 1.5 D <sub>Dr</sub> = 0.65	H = 2 K = 2 D <sub>ISO</sub> = 1.1	0.1														

THIS DRAWING IS A CONTROLLED DOCUMENT.		OWN: S. Garcia 05JAN1999	TE Connectivity	
DIMENSIONS: mm		CHK: R. Jetter 05JAN1999	NAME: M. Bleicher	
TOLERANCES UNLESS OTHERWISE SPECIFIED: ±0.2		APV: 13AUG2003	PRODUCT SPEC: 108-18030	
MATERIAL: -		APPLICATION SPEC: 114-18021 / 114-18025		RESTRICTED TO: -
FINISH: -		WEIGHT: -	SIZE: A1	CAGE CODE: 00779
CUSTOMER DRAWING		SCALE: 10:1	SHEET: 1 of 1	REV: C18

# Mouser Electronics

Authorized Distributor

Click to View Pricing, Inventory, Delivery & Lifecycle Information:

[TE Connectivity:](#)

[965906-6](#)