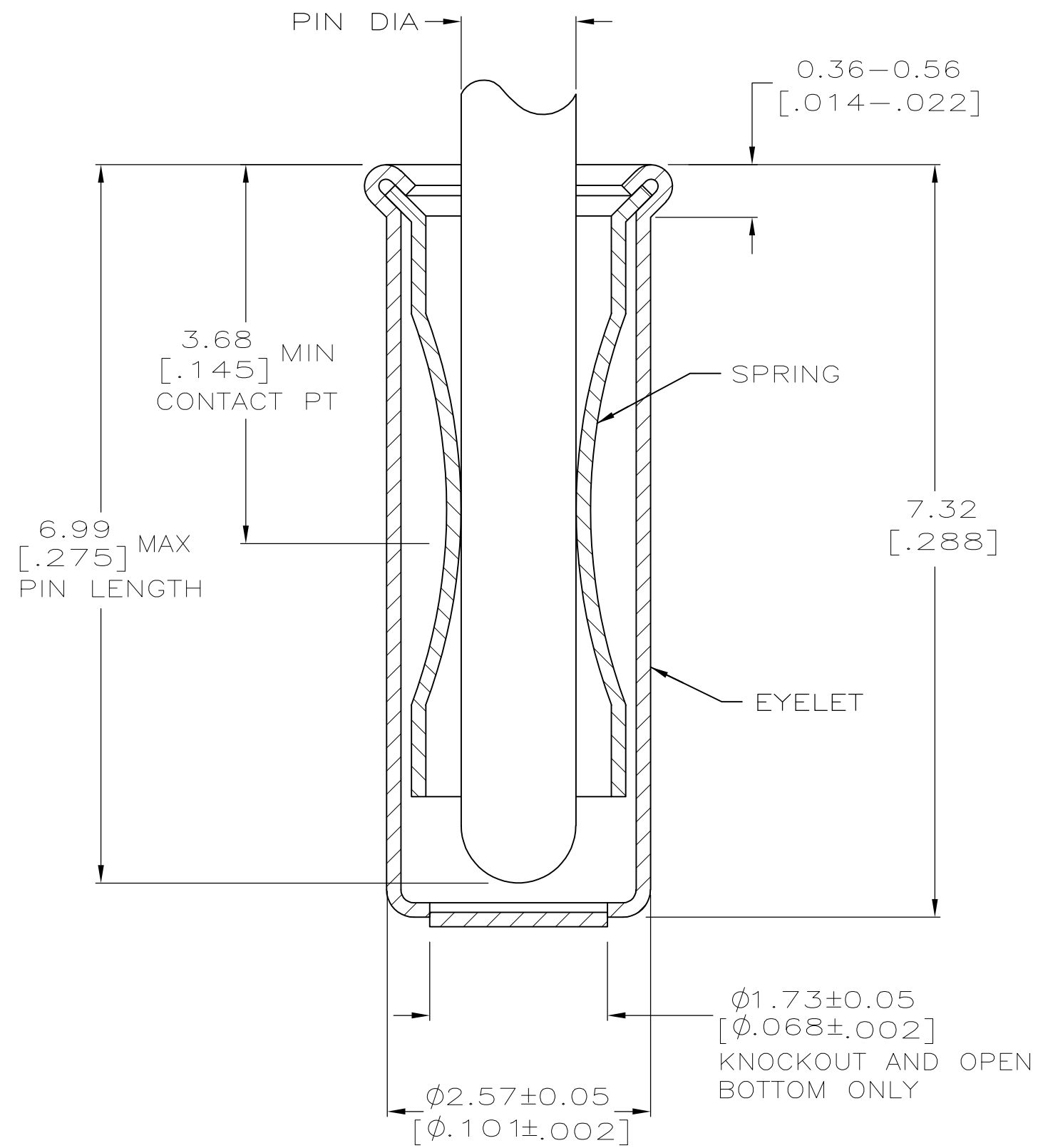
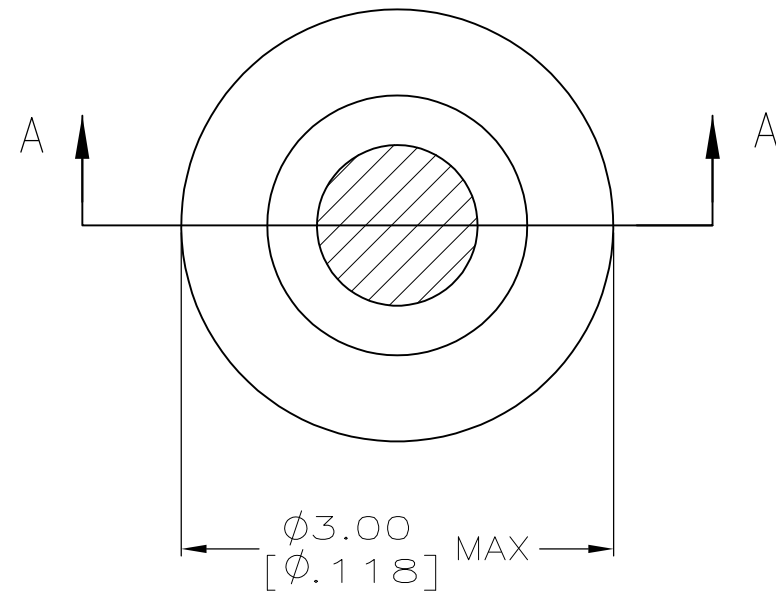


THIS DRAWING IS UNPUBLISHED. RELEASED FOR PUBLICATION  
 © COPYRIGHT - By - ALL RIGHTS RESERVED.

LOC	DIST	REVISIONS 11-11-94 RT		
GP	00	P	LTR	DESCRIPTION
		A2		REVISED PER ECO-11-004835
			DATE	OWN
			07MAR11	RK
			APVD	HMR



SECTION A-A

- 1. TIN PLATE PER ASTM B 545 .0.00254 [.000100] MIN THICK.
- 2. GOLD PER ASTM B 488, 0.00076 [.000030] MIN THICK OVER NICKEL PLATE PER QQ-N-290 0.00028 [.000011] MIN THICK ON CONTACT AREA.
- 3. RECOMMENDED HOLE SIZE, PLATED OR UNPLATED:  
 MACHINE INSERTION: 2.56±0.08 [.101±.003]  
 HAND INSERTION: 2.62<sup>+0.10</sup><sub>-0.00</sub> [.103<sup>+0.004</sup><sub>-.000</sub>]
- 4. APPLICATION TOOL PART NUMBER:  
 MACHINE NO. 682127-6  
 INSERTION HEAD NO. 682039-5
- 5. TO INSURE PROPER SPRING TENSION DO NOT EXCEED A 0.05 [.002] DIFFERENCE IN PIN DIA WHEN CHANGING TO A SMALLER PIN.
- 6. BOTTOM PLUG KNOCKOUT TOOL PART NUMBER 69729 WITH TIP PART NUMBER 69728-3.
- 7. MATERIAL: SPRING: BERYLLIUM COPPER PER ASTM B 194  
 EYELET: COPPER PER ASTM B 152
- 8. OBSOLETE PARTS: OBSOLETE CIS STREAMLINING PER D.RENAUD/D.SINISI

8 OBSOLETE	OPEN	1.42-1.65 [.056-.065]	TIN 1	TIN 1	2-5050871-4
	CLOSED			GOLD 2	2-5050871-3
	KNOCKOUT				2-5050871-1
	OPEN	1.27-1.45 [.050-.057]	TIN 1	GOLD 2	1-5050871-9
	CLOSED			TIN 1	1-5050871-0
	OPEN	1.07-1.24 [.042-.049]		TIN 1	5050871-8
	CLOSED			GOLD 2	5050871-6
	OPEN			GOLD 2	5050871-5
					5050871-1
	BOTTOM TYPE	RECOMMENDED PIN DIA 5	EYELET	SPRING	PART NO
			FINISH		

THIS DRAWING IS A CONTROLLED DOCUMENT.		DWN	20APR2005	TE Connectivity	
		J. ALCORTA - DOCK5	20APR2005		
		CHK	20APR2005		
		J. HAVENER	20APR2005		
		APVD	20APR2005		
		J. HAVENER	20APR2005		
		PRODUCT SPEC		MINIATURE SPRING SOCKET ASSEMBLY SERIES 5	
		APPLICATION SPEC			
		WEIGHT		SIZE	CAGE CODE
		FINISH	SEE TABLE	A2	00779
				C=5050871	
				SCALE	SHEET
				20:1	1 of 1
				REV	A2

5050871

# Mouser Electronics

Authorized Distributor

Click to View Pricing, Inventory, Delivery & Lifecycle Information:

[TE Connectivity:](#)

[5050871-1](#)