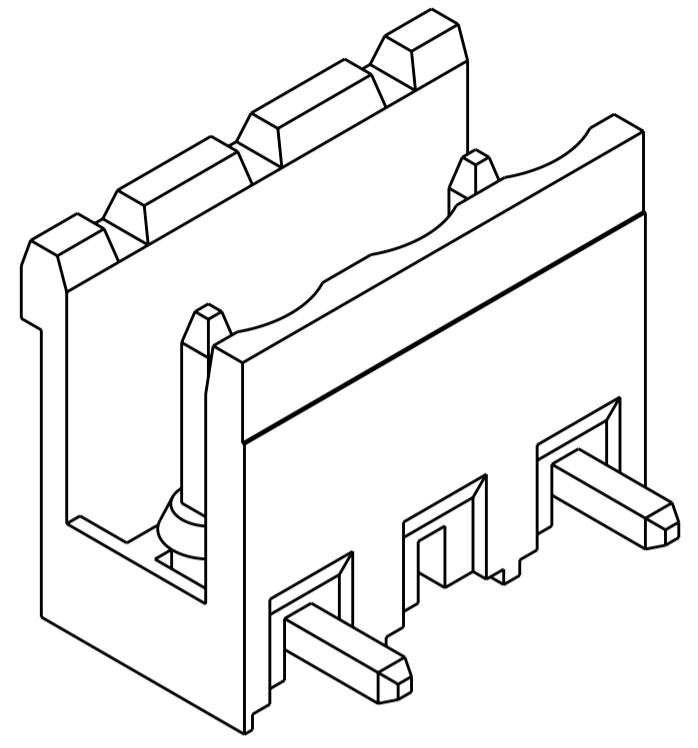
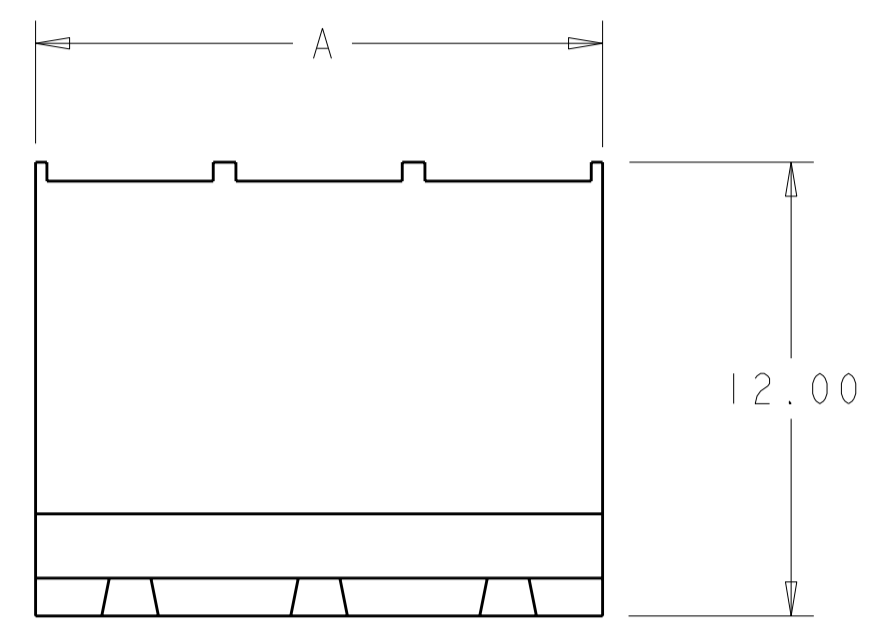


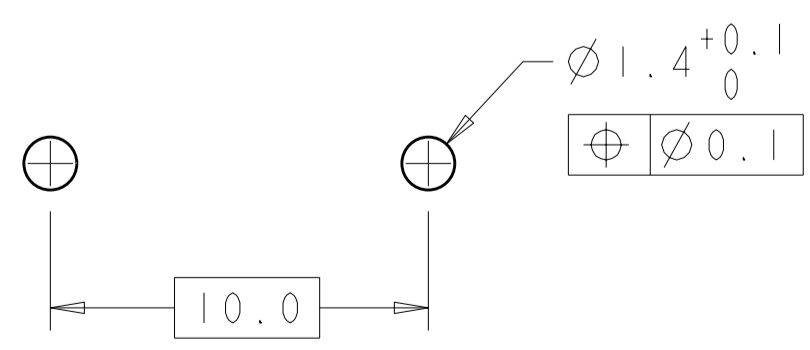
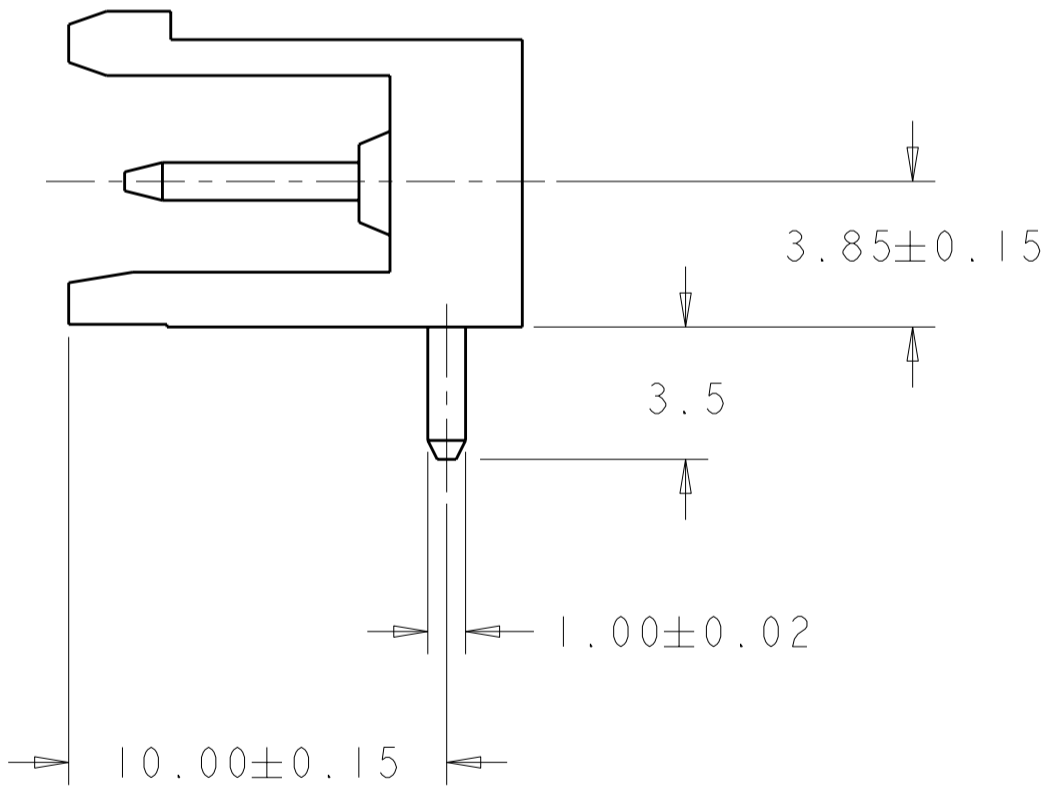
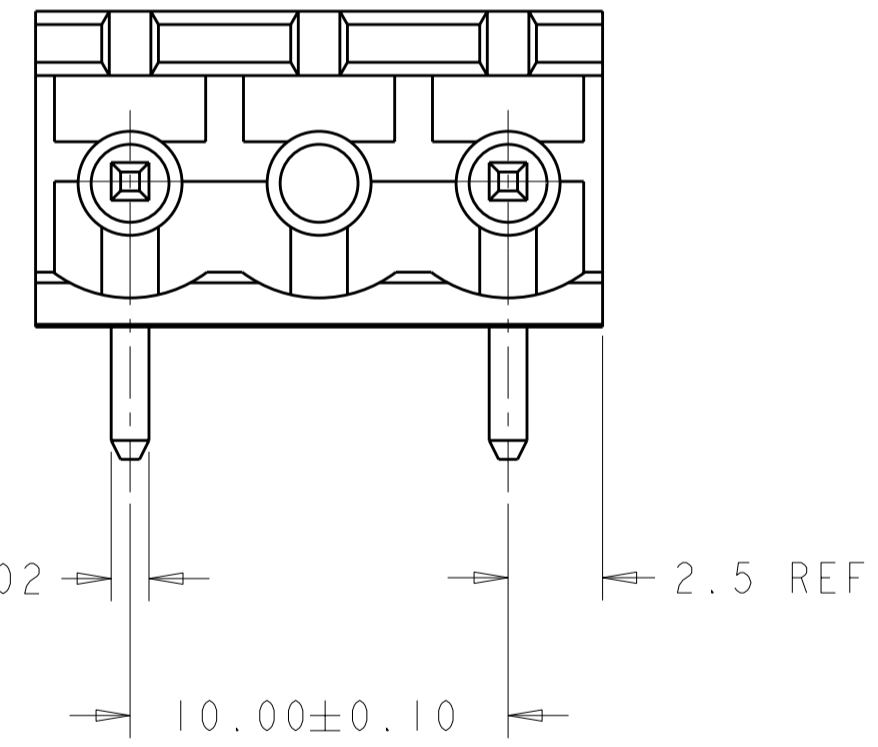
THIS DRAWING IS UNPUBLISHED. RELEASED FOR PUBLICATION 20  
 © COPYRIGHT 20 Tyco Electronics AMP GmbH ALL RIGHTS RESERVED.

LOC		DIST		REVISIONS			
P	LTR	DESCRIPTION	DATE	DWN	APVD		
	01	REVISED PER ECO-12-007711	26APR2012	KH	MS		



- ⚠ MATERIALS AND FINISH  
 HOUSING: HIGH TEMPERATURE POLYAMIDE, UL 94V-0 RATED,  
 COLOR: BLACK.  
 TERMINAL: COPPER ALLOY, TIN PLATED.
- SUITABLE FOR 1,6-2,4mm PC BOARD THICKNESS.
  - RECOGNIZED UNDER THE COMPONENT PROGRAM OF UNDERWRITERS LABORATORIES INC. FILE N° E60677.
  - IMQ CERTIFICATE WITH SURVEILLANCE IN CONFORMITY WITH IEC 998-1/998-2-1.

1776158-2 AS SHOWN



RECOMMENDED PC BOARD LAYOUT

35.0	4	1776158-4
25.0	3	1776158-3
15.0	2	1776158-2
A	NO OF POSN	PART NUMBER

THIS DRAWING IS A CONTROLLED DOCUMENT.		DWN S. WELDON 11JUL2005	<b>STE</b> TE Connectivity	
DIMENSIONS: mm		CHK C. RICHARD 11JUL2005		
TOLERANCES UNLESS OTHERWISE SPECIFIED:		APVD C. RICHARD 11JUL2005	NAME TERMINAL BLOCK HEADER ASSEMBLY, 90 DEGREE, OPEN ENDS, 10.00mm PITCH	
0 PLC ±-	1 PLC ±.2	PRODUCT SPEC 108-20166	SIZE A2	CAGE CODE C-1776158
2 PLC ±.25	3 PLC ±-	APPLICATION SPEC 114-20079	SCALE 5:1	SHEET 1 OF 1
4 PLC ±-	ANGLES ±2	WEIGHT -	CUSTOMER DRAWING	REV 01
MATERIAL		RESTRICTED TO		

# Mouser Electronics

Authorized Distributor

Click to View Pricing, Inventory, Delivery & Lifecycle Information:

[TE Connectivity:](#)

[1776158-2](#)