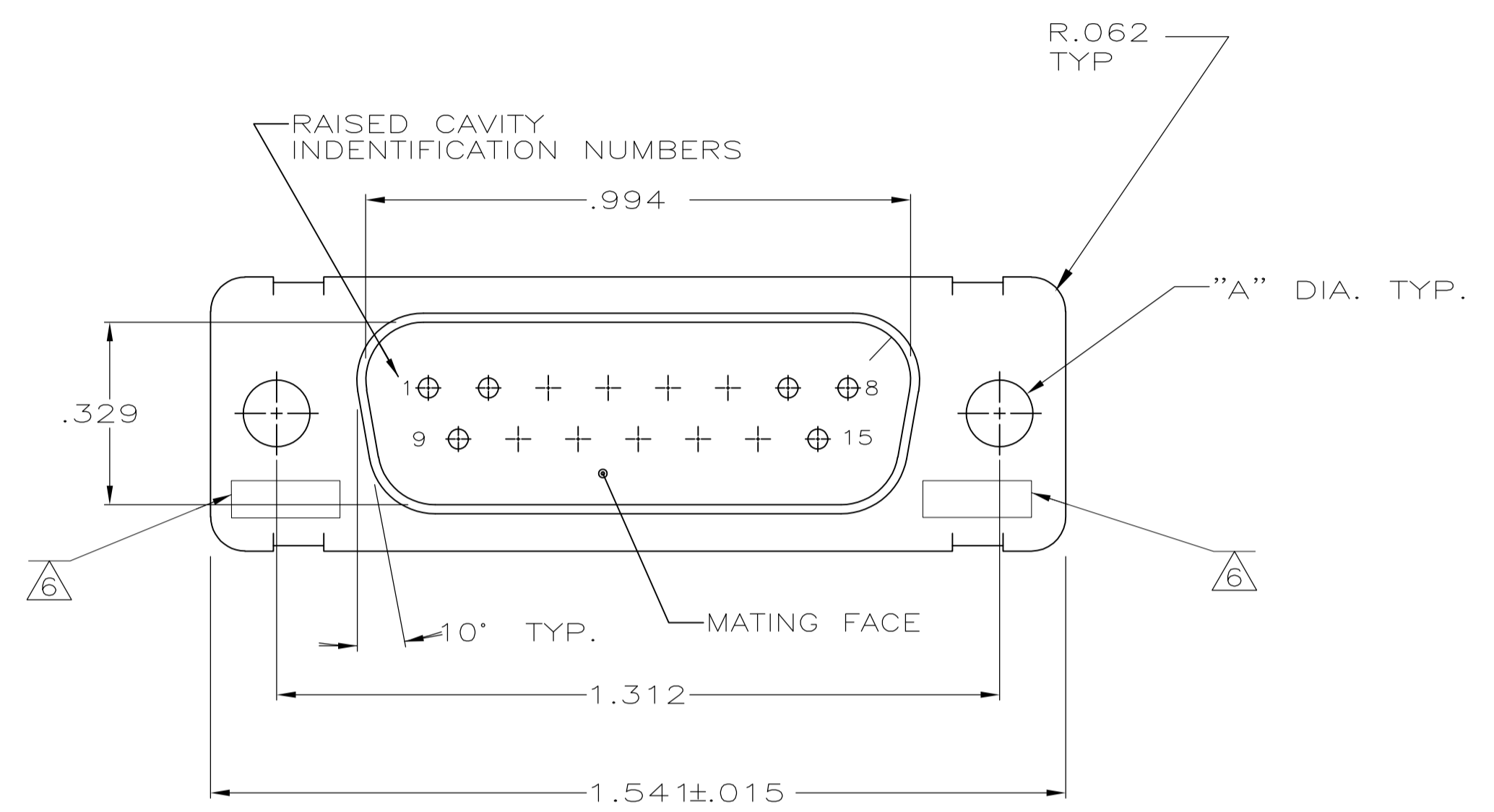
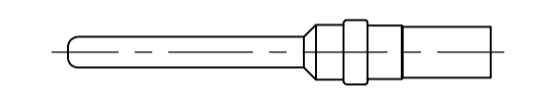


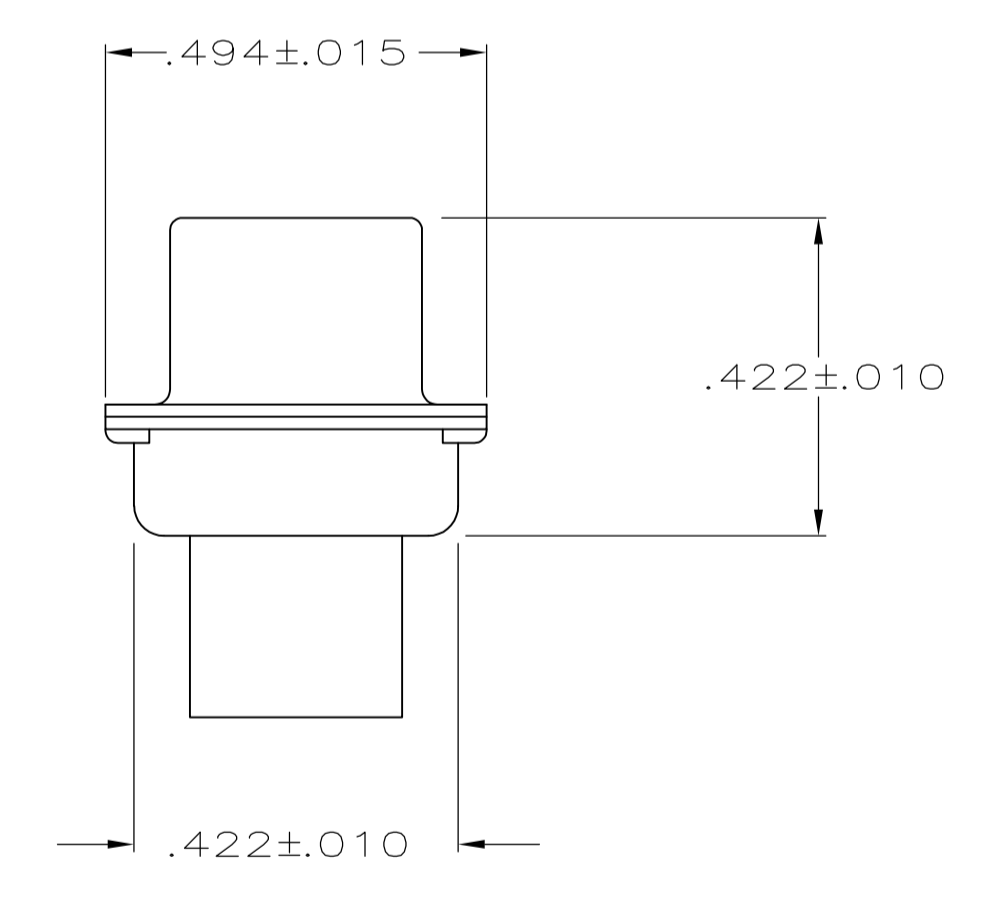
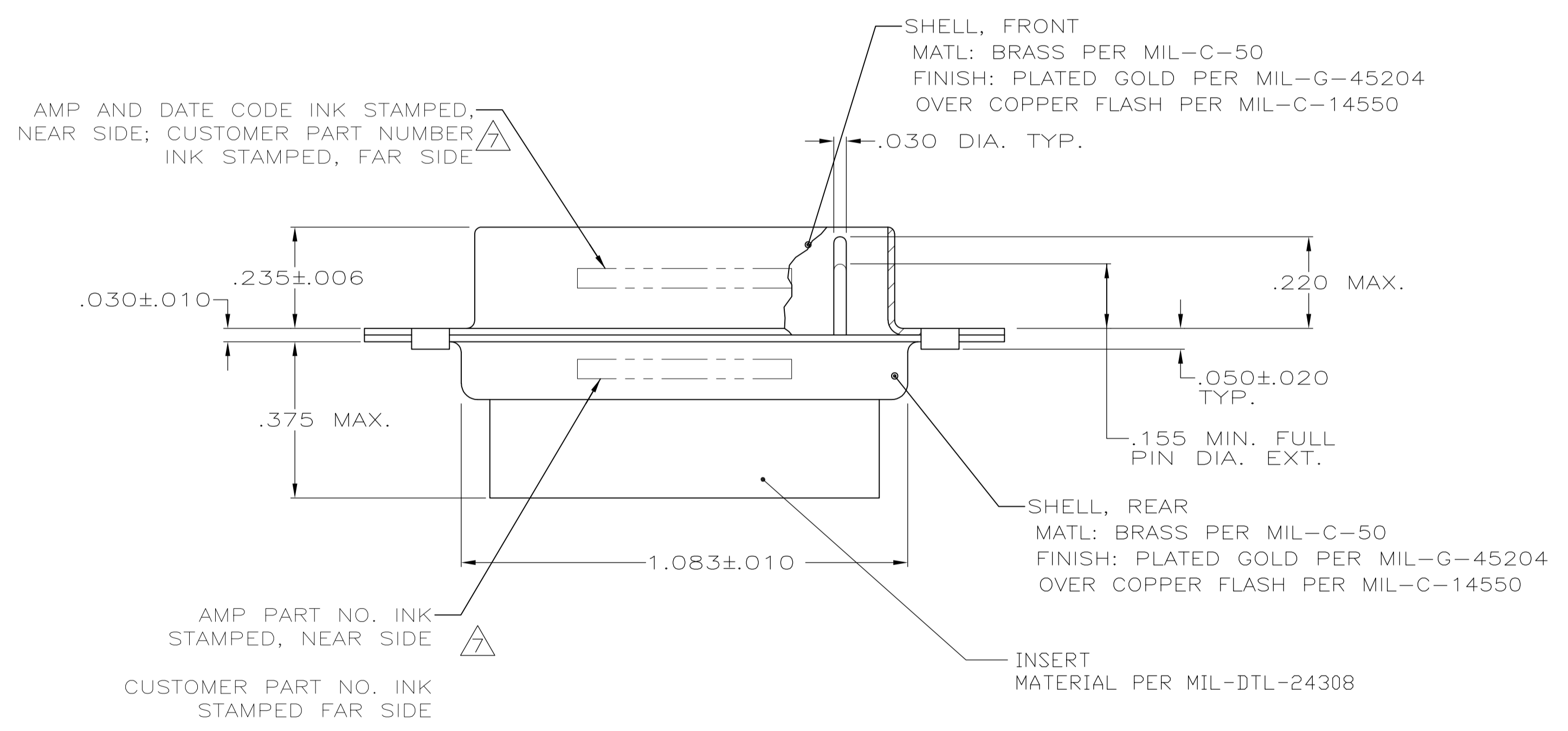
LOC		DIST		REVISIONS			
P	LTR	DESCRIPTION	DATE	DNW	APVD		
P		REV PER ECO 15-016064	11-9-15	CT	CD		



- △ THIS PLUG WILL MATE WITH ANY RECEPTACLE CONNECTOR WITH THE SAME INSERT ARRANGEMENT AS DEFINED BY MS18274-1.
- 2. MAXIMUM WIRE INSULATION TO BE USED WITH THIS PLUG IS .072 [1.83] DIA.
- 3. BERYLLIUM COPPER RETENTION CLIPS (15) ARE INCLUDED IN INSERT ASSEMBLY.
- 4. CONNECTOR SUPPLIED WITHOUT CONTACTS; SHOWN FOR ILLUSTRATION ONLY.
- △ THESE CONNECTORS ARE QUALIFIED TO GODDARD SPACE FLIGHT CENTER SPECIFICATION S-311-P-4.
- △ UL/CSA DESIGNATION STAMPED IN THIS AREA, OPTIONAL.
- △ CUSTOMER PART NUMBER MAY BE SPLIT BETWEEN FRONT AND REAR SHELL, SAME SIDE. FAR SIDE REFERS TO WIDE SIDE OF KEYSTONE, NEAR SIDE REFERS TO NARROW SIDE OF KEYSTONE.
- △ RESTRICTED TO CAE ELECTRONICS ONLY.
- △ CONTACTS FOR 206798-8 ARE UNASSEMBLED.



CONTACT P/N 205089-1  
(MIL-39029/64-369)  
(SUPPLIED WITH 206798-8 ONLY)  
QTY = 15



	.120	570513-7	206798-9	206798-9
	.120	B41-P10009-0013	206798-8	206798-8
	.120	311P409-2P-B-12	206798-2	206798-7
	.120	122137P15P	206798-6	206798-6
	.120	2A014-002V-001	206798-4	206798-4
	.154	-	206798-3	206798-3
	.120	311P409-2P-B-12	206798-2	206798-2
	.154	311P409-2P-B-15	206798-1	206798-1
REMARKS	DIA A	INK STAMPED CUSTOMER P/N	INK STAMPED AMP P/N	ASSEMBLY NUMBER

OBSOLETE

THIS DRAWING IS A CONTROLLED DOCUMENT.

DIMENSIONS: INCHES	TOLERANCES UNLESS OTHERWISE SPECIFIED:	DIN T. WIEST 12-9-88	TE Connectivity
0. PLC ± -	1. PLC ± -	CIK: A EMADI 12-11-88	NAME: PLUG FOR PIN CONTACTS
2. PLC ± -	3. PLC ± .005	APVD: -	PRODUCT SPEC: SERIES 109, SIZE 2
4. PLC ± -	ANGLES ± -	PRODUCT SPEC: -	APPLICATION SPEC: 15 POSITION
MATERIAL: SEE CALLOUTS	FINISH: SEE CALLOUTS	WEIGHT: -	SIZE: A1
			CAGE CODE: 00779
			DRAWING NO: 206798
			RESTRICTED TO: -
			CUSTOMER DRAWING

SCALE: 4:1 SHEET 1 OF 1 REV P

# Mouser Electronics

Authorized Distributor

Click to View Pricing, Inventory, Delivery & Lifecycle Information:

[TE Connectivity:](#)

[206798-2](#)