

PLEASE CHECK WWW.MOLEX.COM FOR LATEST PART INFORMATION

Part Number: [0019091066](#)
Status: **Active**
Overview: Standard .093" Pin and Socket Connectors
Description: 2.36mm Diameter Standard .093" Pin and Socket Receptacle Housing with Positive Latch, UL 94V-0, 6 Circuits

Documents:

[3D Model](#) [Product Specification PS-02-09 \(PDF\)](#)
[Drawing \(PDF\)](#) [RoHS Certificate of Compliance \(PDF\)](#)

Agency Certification

CSA LR19980
 UL E29179

General

Product Family Crimp Housings
 Series [3191](#)
 Application Power, Wire-to-Board, Wire-to-Wire
 Comments Polarized to Mating Part, with Mounting Ears
 Overview [Standard .093" Pin and Socket Connectors](#)
 Product Name Standard .093"
 UPC 800753749085

Physical

Breakaway No
 Circuits (maximum) 6
 Circuits Detail 2x3
 Color - Resin Natural
 Flammability 94V-0
 Gender Receptacle
 Glow-Wire Capable No
 Keying to Mating Part None
 Lock to Mating Part Yes
 Material - Resin Nylon
 Net Weight 4.893/g
 Number of Rows 2
 Packaging Type Bag
 Panel Mount No
 Pitch - Mating Interface 6.70mm
 Polarized to Mating Part Yes
 Stackable No
 Temperature Range - Operating -40° to +105°C

Electrical

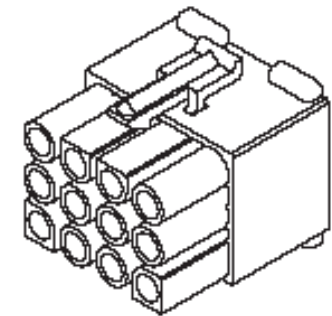
Current - Maximum per Contact 9.0A

Material Info

Engineering Number 3191-6R1-201

Reference - Drawing Numbers

Product Specification PS-02-09
 Sales Drawing SD-3191-6*



Series image - Reference only

EU ELV

Not Relevant

EU RoHS

Compliant

REACH SVHC

Not Contained Per
 -ED/01/2018 (15
 January 2018)

Halogen-Free

Status

Low-Halogen

For more information, please visit [Contact US](#)

China ROHS

ELV

RoHS Phthalates

China RoHS

Not Reviewed

Not Relevant

Not Contained

Search Parts in this Series

[3191](#) Series

Mates With

[19-09-2066](#) , [19-09-2067](#) , [19-09-2068](#) ,
[19-09-2069](#) , [521](#) 9

Use With

[1189](#) Crimp Terminals, [1190](#) Crimp Terminals, [1380](#) Male Crimp Terminals, [1381](#) Female Crimp Terminals, [1433](#) Crimp Terminals, [1434](#) Male Crimp Terminals, [2605](#) , [2606](#) , [1973](#) , [2151](#) , [2273](#) , [2870](#) , Link: [2871](#) , [4272](#)

Mouser Electronics

Authorized Distributor

Click to View Pricing, Inventory, Delivery & Lifecycle Information:

[Molex:](#)

[19-09-1066](#)