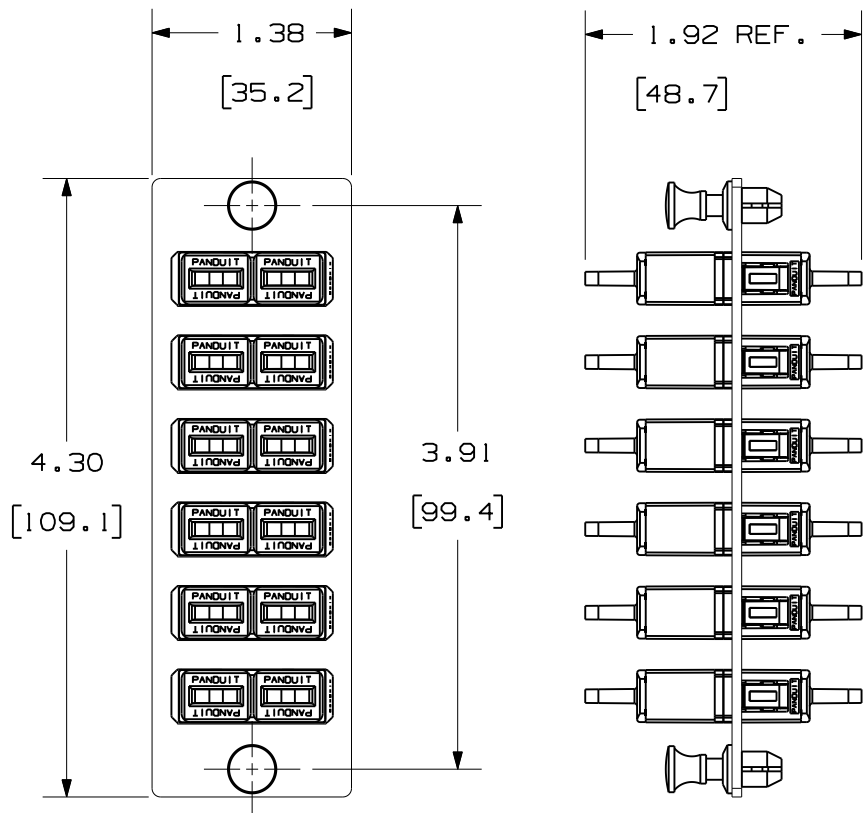


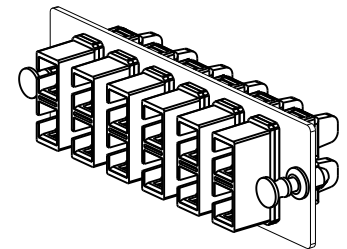
THIS COPY IS PROVIDED ON A RESTRICTED BASIS AND IS NOT TO BE USED IN ANY WAY DETRIMENTAL TO THE INTERESTS OF PANDUIT CORP.




PANDUIT P/N	ADAPTER COLOR	SPLIT SLEEVE TYPE
FAP6WAQDSC	AQUA	PHOS BRONZE
FAP6WBUDSC	BLUE	
FAP6WEIDSC	ELECTRIC IVORY	
FAP6WBLDSC	BLACK	ZIRCONIA
FAP6WAGDSCZ	APC GREEN	
FAP6WAQDSCZ	AQUA	
FAP6WBUDSCZ	BLUE	

NOTES:

- SEE CURRENT CATALOG FOR PART NUMBER SUFFIXES TO INDICATE COLOR AND/OR PACKAGE QUANTITIES.
- SEE CATALOG FOR COMPLETE LIST OF PARTS APPLICABLE FOR USE WITH THIS PRODUCT.
- MATERIALS:
 - PLATE: C.R.S. POWDER COATED
 - ADAPTER: COMPOSITE
 - SPLIT SLEEVE: SEE TABLE
- DIMENSIONS IN BRACKETS ARE METRIC.



REV	DATE	BY	CHK	DESCRIPTION	ECN	R	CUST	SUP	OTH
01	01-29-09	EFK		RELEASED TO PRODUCTION	01945-32				

6 POSITION DUPLEX SC FIBER ADAPTER PANEL CUSTOMER DRAWING	
	PANDUIT ™ CORP. TINLEY PARK, ILL 60477
ALL DIMENSIONS ARE GIVEN IN INCHES UNLESS OTHERWISE SPECIFIED. DIMENSIONAL TOLERANCES ARE: (.X) (.XXX) ± .010 (0.3) (.XX) ± .03 (0.8) ANGLES	DRAWING FILENAME M01945AL_DC/01B SCALE NONE
DRAWN BY MC	PART NO. FAP6W••DSC FAP6W••DSCZ
DATE 01-13-05	DRAWING NO. 01945-32
CHK'D PJI	SIZE A

Mouser Electronics

Authorized Distributor

Click to View Pricing, Inventory, Delivery & Lifecycle Information:

Panduit:

[FAP6WBUDSCZ](#) [FAP6WBUDSC](#) [FAP6WAQDSC](#)