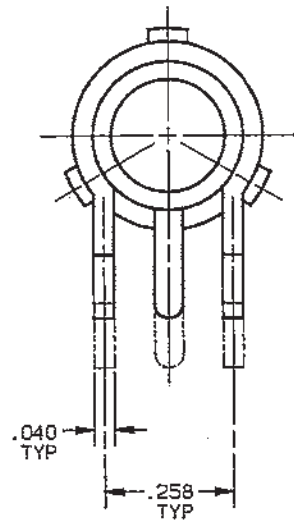
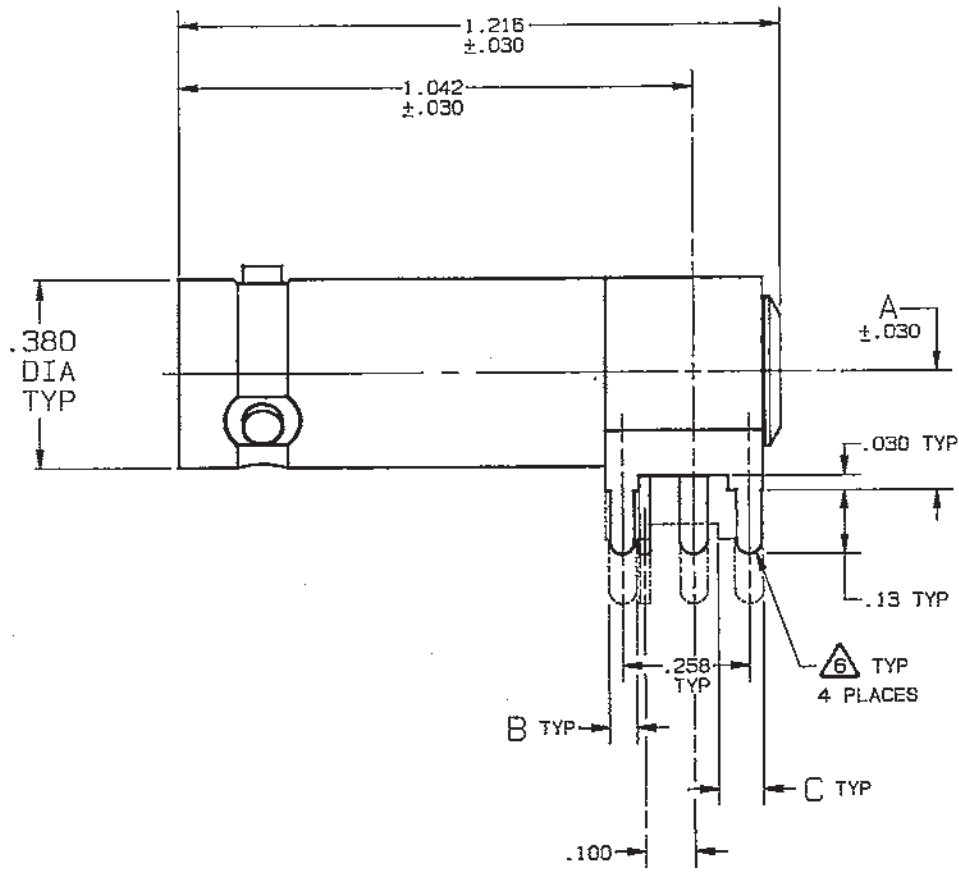
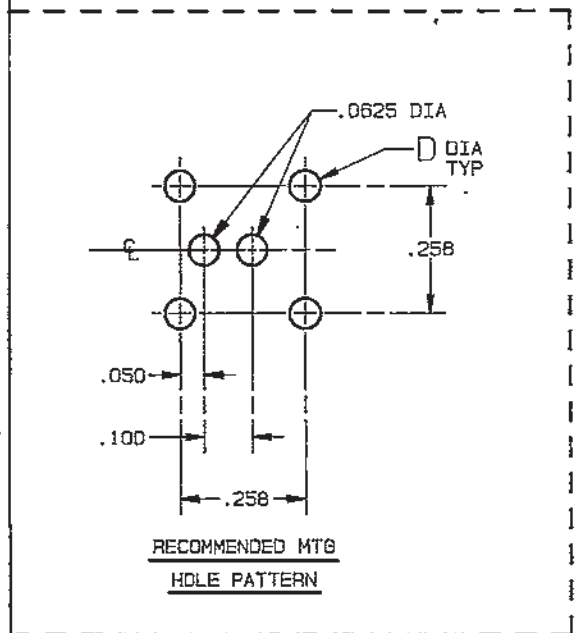


DIN # H12	DWG SIZE C	DATA CONTAINED IN THIS DOCUMENT IS PROPRIETARY TO TROMPETER ELECTRONICS INC. AND SHALL NOT BE DISCLOSED, COPIED OR USED FOR PROCUREMENT OR MANUFACTURE WITHOUT EXPRESS WRITTEN PERMISSION.			REVISIONS		3-0280	SH 1
		REV	EO	DESCRIPTION	DWN	APPROVED	DATE	

DASH NO	MODEL NO	LTR CODE	A DIM	B DIM	C DIM	D DIM
-1	CBJR70	—	.24	.050	.090	.0625
-2	CBJR70A	A	.34	.058	.090	.070

RED INDICATES ORIGINAL



INCH	MM
.0010	0.03
.0015	0.04
.005	0.13
.030	0.76
.040	1.02
.050	1.27
.058	1.47
.060	1.52
.0625	1.59
.070	1.78
.090	2.29
.100	2.54
.13	3.30
.24	6.10
.258	6.55
.34	8.64
.380	9.65
1.042	26.47
1.216	30.89

- 6 PRE-TINNED, .0015 MAXIMUM THICKNESS WITH SN63 OR EQUIV SOLDER, PER QQ-S-571, TO WITHIN .060 MAXIMUM OF SHOULDER, AFTER PLATING
- 5 LTR CODE "A" SHOWN IN PHANTOM
- 4. EXAMPLE OF COMPLETE MODEL NO:

CBJR70	A	—	LTR CODE (SEE TABLE) 5
			BASIC MODEL NO (SEE TABLE)

- 3. FINISH: TFS-1A (NICKEL)
- 2. CONCENTRIC TWINAX/TRIAX RIGHT ANGLE CIRCUIT BOARD MOUNT TRB SERIES RECEPTACLE
- 1. ALL DIM ARE IN INCHES

QTY	DESCRIPTION	PART NUMBER	ITEM
TOL UNLESS SPECIFIED .XX ± .XXX ±.005 .XXXX ±.0010 ANGLES ±	TROMPETER RF connectivity	CBJR70 / A	
DWN J S 4/20/92	MATERIAL	CODE IDENT 14949	DRAWING NO. 3-0280
CHK BMM 4/22/92	ENGR	APPR	SCALE 4/1
NEXT ASSY	DATE 4-23-92	SHEET 1 OF 2	

Mouser Electronics

Authorized Distributor

Click to View Pricing, Inventory, Delivery & Lifecycle Information:

[Cinch Connectivity Solutions:](#)

[CBJR70](#)