

## FEATURES

- Member of the Texas Instruments Widebus™ Family
- EPIC™ (Enhanced-Performance Implanted CMOS) Submicron Process
- Checks Parity
- Able to Cascade With a Second SN74ALVCH16903
- ESD Protection Exceeds 2000 V Per MIL-STD-883, Method 3015; Exceeds 200 V Using Machine Model (C = 200 pF, R = 0)
- Latch-Up Performance Exceeds 250 mA Per JESD 17
- Bus Hold on Data Inputs Eliminates the Need for External Pullup/Pulldown Resistors
- Package Options Include Plastic 300-mil Shrink Small-Outline (DL), Thin Shrink Small-Outline (DGG), and Thin Very Small-Outline (DGV) Packages

## DESCRIPTION

This 12-bit universal bus driver is designed for 2.3-V to 3.6-V  $V_{CC}$  operation.

The SN74ALVCH16903 has dual outputs and can operate as a buffer or an edge-triggered register. In both modes, parity is checked on APAR, which arrives one cycle after the data to which it applies. The  $\overline{YERR}$  output, which is produced one cycle after APAR, is open drain.

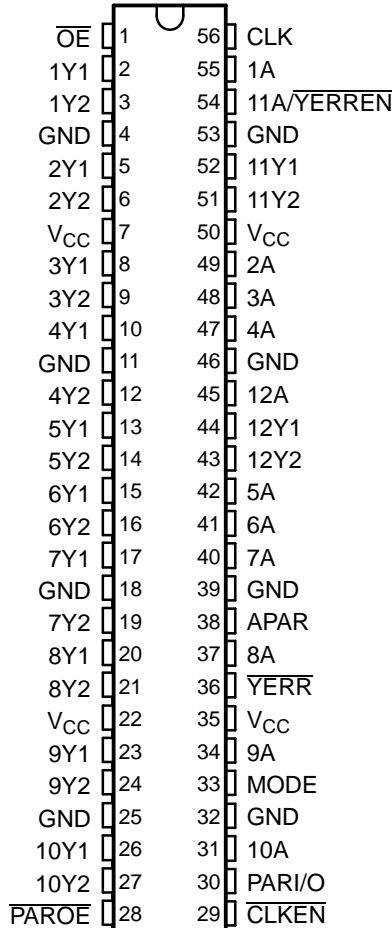
MODE selects one of the two data paths. When MODE is low, the device operates as an edge-triggered register. On the positive transition of the clock (CLK) input and when the clock-enable ( $\overline{CLKEN}$ ) input is low, data set up at the A inputs is stored in the internal registers. On the positive transition of CLK and when  $\overline{CLKEN}$  is high, only data set up at the 9A–12A inputs is stored in their internal registers. When MODE is high, the device operates as a buffer and data at the A inputs passes directly to the outputs. 11A/ $\overline{YERR}$  serves a dual purpose; it acts as a normal data bit and also enables  $\overline{YERR}$  data to be clocked into the YERR output register.

When used as a single device, parity output enable ( $\overline{PAROE}$ ) must be tied high; when parity input/output (PARI/O) is low, even parity is selected and when PARI/O is high, odd parity is selected. When used in pairs and  $\overline{PAROE}$  is low, the parity sum is output on PARI/O for cascading to the second SN74ALVCH16903. When used in pairs and  $\overline{PAROE}$  is high, PARI/O accepts a partial parity sum from the first SN74ALVCH16903.

A buffered output-enable ( $\overline{OE}$ ) input can be used to place the 24 outputs and  $\overline{YERR}$  in either a normal logic state (high or low logic levels) or a high-impedance state. In the high-impedance state, the outputs neither load nor drive the bus lines significantly. The high-impedance state and increased drive provide the capability to drive bus lines without need for interface or pullup components.

$\overline{OE}$  does not affect the internal operation of the device. Old data can be retained or new data can be entered while the outputs are in the high-impedance state.

DGG, DGV, OR DL PACKAGE  
(TOP VIEW)



Please be aware that an important notice concerning availability, standard warranty, and use in critical applications of Texas Instruments semiconductor products and disclaimers thereto appears at the end of this data sheet.

Widebus, EPIC are trademarks of Texas Instruments.

**SN74ALVCH16903**  
**3.3-V 12-BIT UNIVERSAL BUS DRIVER**  
**WITH PARITY CHECKER AND DUAL 3-STATE OUTPUTS**

SCES095D—MARCH 1997—REVISED SEPTEMBER 2004

**DESCRIPTION (CONTINUED)**

To ensure the high-impedance state during power up or power down,  $\overline{OE}$  should be tied to  $V_{CC}$  through a pullup resistor; the minimum value of the resistor is determined by the current-sinking capability of the driver.

Active bus-hold circuitry is provided to hold unused or floating data inputs at a valid logic level.

The SN74ALVCH16903 is characterized for operation from 0°C to 70°C.

**FUNCTION TABLES**

**FUNCTION**

INPUTS					OUTPUTS	
$\overline{OE}$	MODE	$\overline{CLKEN}$	CLK	A	1Yn <sup>(1)</sup> –8Yn <sup>(1)</sup>	9Yn <sup>(1)</sup> –12Yn <sup>(1)</sup>
L	L	L	↑	H	H	H
L	L	L	↑	L	L	L
L	L	H	↑	H	Y <sub>0</sub>	H
L	L	H	↑	L	Y <sub>0</sub>	L
L	H	X	X	H	H	H
L	H	X	X	L	L	L
H	X	X	X	X	Z	Z

(1) n = 1 or 2

**PARITY FUNCTION**

INPUTS						OUTPUT YERR
$\overline{OE}$	$\overline{PAROE}$ (1)	11A/YERREN <sup>(2)</sup>	PARI/O	$\Sigma$ OF INPUTS 1A–10A = H	APAR	
L	H	L	L	0, 2, 4, 6, 8, 10	L	H
L	H	L	L	1, 3, 5, 7, 9	L	L
L	H	L	L	0, 2, 4, 6, 8, 10	H	L
L	H	L	L	1, 3, 5, 7, 9	H	H
L	H	L	H	0, 2, 4, 6, 8, 10	L	L
L	H	L	H	1, 3, 5, 7, 9	L	H
L	H	L	H	0, 2, 4, 6, 8, 10	H	H
L	H	L	H	1, 3, 5, 7, 9	H	L
H	X	X	X	X	X	H
L	X	H	X	X	X	H

(1) When used as a single device,  $\overline{PAROE}$  must be tied high.

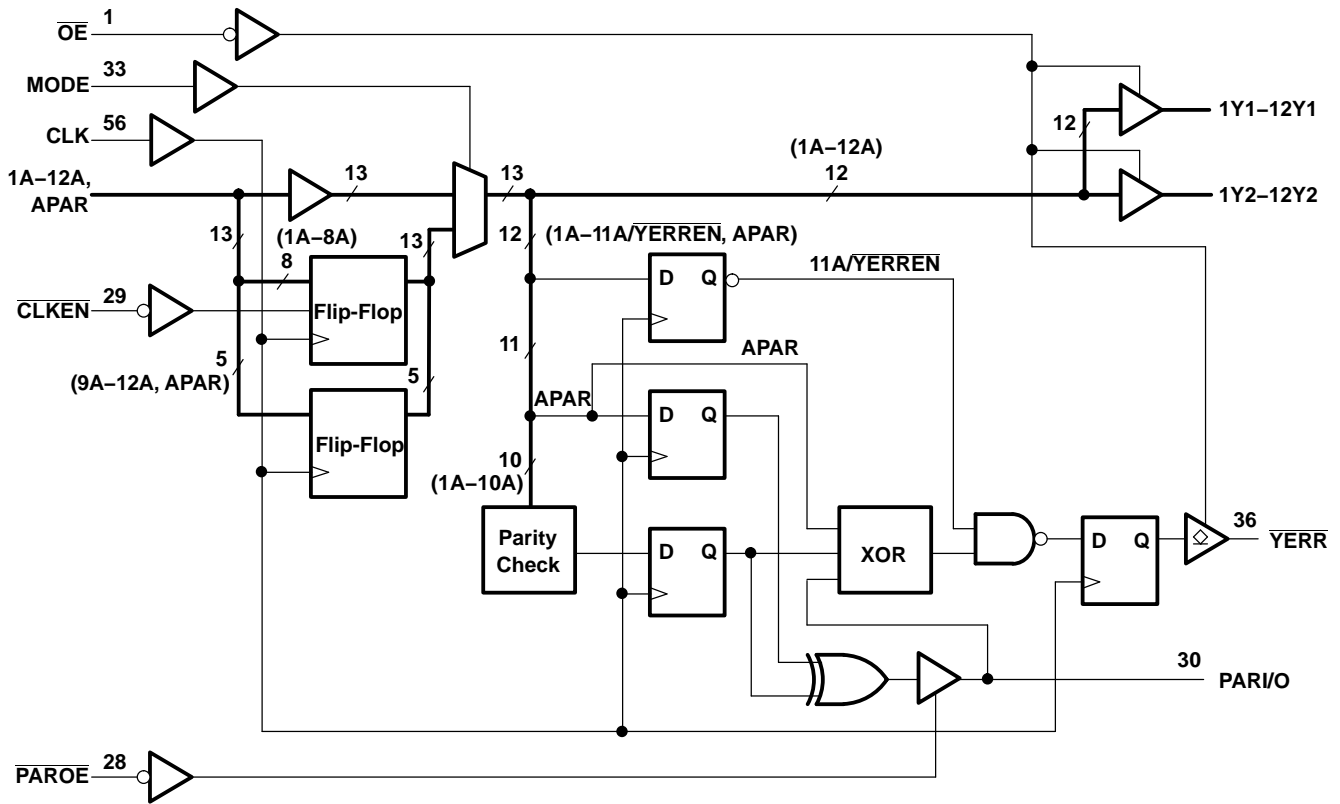
(2) Valid after appropriate number of clock pulses have set internal register

**PARI/O FUNCTION<sup>(1)</sup>**

INPUTS			OUTPUT PARI/O
$\overline{PAROE}$	$\Sigma$ OF INPUTS 1A–10A = H	APAR	
L	0, 2, 4, 6, 8, 10	L	L
L	1, 3, 5, 7, 9	L	H
L	0, 2, 4, 6, 8, 10	H	H
L	1, 3, 5, 7, 9	H	L
H	X	X	Z

(1) This table applies to the first device of a cascaded pair of SN74ALVCH16903 devices.

**LOGIC DIAGRAM (POSITIVE LOGIC)**



**SN74ALVCH16903**  
**3.3-V 12-BIT UNIVERSAL BUS DRIVER**  
**WITH PARITY CHECKER AND DUAL 3-STATE OUTPUTS**

SCES095D–MARCH 1997–REVISED SEPTEMBER 2004

**ABSOLUTE MAXIMUM RATINGS<sup>(1)</sup>**

over operating free-air temperature range (unless otherwise noted)

		MIN	MAX	UNIT
V <sub>CC</sub>	Supply voltage range	-0.5	4.6	V
V <sub>I</sub>	Input voltage range <sup>(2)</sup>	-0.5	4.6	V
V <sub>O</sub>	Output voltage range <sup>(2)(3)</sup>	-0.5	V <sub>CC</sub> + 0.5	V
I <sub>IK</sub>	Input clamp current	V <sub>I</sub> < 0		-50 mA
I <sub>OK</sub>	Output clamp current	V <sub>O</sub> < 0		-50 mA
I <sub>O</sub>	Continuous output current			±50 mA
Continuous current through each V <sub>CC</sub> or GND				±100 mA
θ <sub>JA</sub>	Package thermal impedance <sup>(4)</sup>	DGG package		81
		DGV package		86
		DL package		74
T <sub>stg</sub>	Storage temperature range	-65	150	°C

- (1) Stresses beyond those listed under "absolute maximum ratings" may cause permanent damage to the device. These are stress ratings only, and functional operation of the device at these or any other conditions beyond those indicated under "recommended operating conditions" is not implied. Exposure to absolute-maximum-rated conditions for extended periods may affect device reliability.
- (2) The input negative-voltage and output voltage ratings may be exceeded if the input and output current ratings are observed.
- (3) This value is limited to 4.6 V maximum.
- (4) The package thermal impedance is calculated in accordance with JESD 51.

**RECOMMENDED OPERATING CONDITIONS<sup>(1)</sup>**

		MIN	MAX	UNIT	
V <sub>CC</sub>	Supply voltage	2.3	3.6	V	
V <sub>IH</sub>	High-level input voltage	V <sub>CC</sub> = 2.3 V to 2.7 V		1.7	
		V <sub>CC</sub> = 2.7 V to 3.6 V		2	
V <sub>IL</sub>	Low-level input voltage	V <sub>CC</sub> = 2.3 V to 2.7 V		0.7	
		V <sub>CC</sub> = 2.7 V to 3.6 V		0.8	
V <sub>I</sub>	Input voltage	0	V <sub>CC</sub>	V	
V <sub>O</sub>	Output voltage	0	V <sub>CC</sub>	V	
I <sub>OH</sub>	High-level output current	V <sub>CC</sub> = 2.3 V		Y port	-12
		V <sub>CC</sub> = 2.7 V			-12
		V <sub>CC</sub> = 3 V		PARI/O	-12
				Y port	-24
I <sub>OL</sub>	Low-level output current	V <sub>CC</sub> = 2.3 V		Y port	12
		V <sub>CC</sub> = 2.7 V			12
		V <sub>CC</sub> = 3 V		PARI/O	12
				Y port	24
				YERR output	24
Δt/Δv	Input transition rise or fall rate	0	10	ns/V	
T <sub>A</sub>	Operating free-air temperature	0	70	°C	

- (1) All unused control inputs of the device must be held at V<sub>CC</sub> or GND to ensure proper device operation. Refer to the TI application report, *Implications of Slow or Floating CMOS Inputs*, literature number SCBA004.

**ELECTRICAL CHARACTERISTICS**

over recommended operating free-air temperature range (unless otherwise noted)

PARAMETER		TEST CONDITIONS	V <sub>CC</sub>	MIN	TYP <sup>(1)</sup>	MAX	UNIT
V <sub>OH</sub>	Y port	I <sub>OH</sub> = -100 μA	2.3 V to 3.6 V	V <sub>CC</sub> - 0.2			V
		I <sub>OH</sub> = -6 mA,	V <sub>IH</sub> = 1.7 V	2.3 V	2		
				2.3 V	1.7		
		I <sub>OH</sub> = -12 mA	V <sub>IH</sub> = 2 V	2.7 V	2.2		
				3 V	2.4		
	I <sub>OH</sub> = -24 mA,	V <sub>IH</sub> = 2 V	3 V	2			
PARI/O	I <sub>OH</sub> = -12 mA,	V <sub>IH</sub> = 2 V	3 V	2			
V <sub>OL</sub>	Y port	I <sub>OL</sub> = 100 μA	2.3 V to 3.6 V			0.2	V
		I <sub>OL</sub> = 6 mA,	V <sub>IL</sub> = 0.7 V	2.3 V		0.4	
				2.3 V		0.7	
		I <sub>OL</sub> = 12 mA	V <sub>IL</sub> = 0.8 V	2.7 V		0.4	
				3 V		0.55	
	I <sub>OL</sub> = 24 mA,	V <sub>IL</sub> = 0.8 V	3 V		0.55		
PARI/O	I <sub>OL</sub> = 12 mA,	V <sub>IL</sub> = 0.8 V	3 V		0.55		
YERR output	I <sub>OL</sub> = 24 mA	3 V			0.5		
I <sub>I</sub>		V <sub>I</sub> = V <sub>CC</sub> or GND	3.6 V			±5	μA
I <sub>I(hold)</sub>		V <sub>I</sub> = 0.7 V	2.3 V	45			μA
		V <sub>I</sub> = 1.7 V	2.3 V	-45			
		V <sub>I</sub> = 0.8 V	3 V	75			
		V <sub>I</sub> = 2 V	3 V	-75			
		V <sub>I</sub> = 0 to 3.6 V <sup>(2)</sup>	3.6 V			±500	
I <sub>OH</sub>	YERR output	V <sub>O</sub> = V <sub>CC</sub>	0 to 3.6 V			±10	μA
I <sub>OZ</sub> <sup>(3)</sup>		V <sub>O</sub> = V <sub>CC</sub> or GND	3.6 V			±10	μA
I <sub>CC</sub>		V <sub>I</sub> = V <sub>CC</sub> or GND, I <sub>O</sub> = 0	3.6 V			40	μA
ΔI <sub>CC</sub>		One input at V <sub>CC</sub> - 0.6 V, Other inputs at V <sub>CC</sub> or GND	3 V to 3.6 V			750	μA
C <sub>i</sub>	Control inputs	V <sub>I</sub> = V <sub>CC</sub> or GND	3.3 V	5.5			pF
	Data inputs			5.5			
C <sub>o</sub>	YERR output	V <sub>O</sub> = V <sub>CC</sub> or GND	3.3 V	5			pF
	Data outputs			6			
C <sub>io</sub>	PARI/O	V <sub>O</sub> = V <sub>CC</sub> or GND	3.3 V	7			pF

 (1) All typical values are at V<sub>CC</sub> = 3.3 V, T<sub>A</sub> = 25°C.

(2) This is the bus-hold maximum dynamic current. It is the minimum overdrive current required to switch the input from one state to another.

 (3) For I/O ports, the parameter I<sub>OZ</sub> includes the input leakage current.

**SN74ALVCH16903**  
**3.3-V 12-BIT UNIVERSAL BUS DRIVER**  
**WITH PARITY CHECKER AND DUAL 3-STATE OUTPUTS**

SCES095D—MARCH 1997—REVISED SEPTEMBER 2004

**TIMING REQUIREMENTS**

over recommended ranges of supply voltage and operating free-air temperature (unless otherwise noted) (see Figure 1 and Figure 4)

				$V_{CC} = 2.5\text{ V} \pm 0.2\text{ V}$		$V_{CC} = 2.7\text{ V}$		$V_{CC} = 3.3\text{ V} \pm 0.3\text{ V}$		UNIT
				MIN	MAX	MIN	MAX	MIN	MAX	
$f_{\text{clock}}$	Clock frequency			125		125		125		MHz
$t_w$	Pulse duration, CLK $\uparrow$			3		3		3		ns
$t_{\text{su}}$	Setup time	1A–12A before CLK $\uparrow$	Register mode	1.7		1.9		1.45		ns
		1A–10A before CLK $\uparrow$	Buffer mode	5.9		5.2		4.4		
		APAR before CLK $\uparrow$	Register mode	1.2		1.5		1.3		
			Buffer mode	4.6		3.6		3.1		
		PARI/O before CLK $\uparrow$	Both modes	2.4		2		1.7		
		11A/ $\overline{\text{YERR}}$ before CLK $\uparrow$	Buffer mode	2		1.9		1.6		
$\overline{\text{CLKEN}}$ before CLK $\uparrow$	Register mode	2.5		2.6		2.2				
$t_h$	Hold time	1A–12A after CLK $\uparrow$	Register mode	0.4		0.25		0.55		ns
		1A–10A after CLK $\uparrow$	Buffer mode	0.25		0.25		0.25		
		APAR after CLK $\uparrow$	Register mode	0.7		0.4		0.7		
			Buffer mode	0.25		0.25		0.25		
		PARI/O after CLK $\uparrow$	Register mode	0.25		0.25		0.4		
			Buffer mode	0.25		0.25		0.5		
		11A/ $\overline{\text{YERR}}$ after CLK $\uparrow$	Buffer mode	0.25		0.25		0.4		
$\overline{\text{CLKEN}}$ after CLK $\uparrow$	Register mode	0.25		0.5		0.4				

**SWITCHING CHARACTERISTICS**

over recommended operating free-air temperature range (unless otherwise noted) (see Figure 1 and Figure 4)

PARAMETER		FROM (INPUT)	TO (OUTPUT)	$V_{CC} = 2.5\text{ V} \pm 0.2\text{ V}$		$V_{CC} = 2.7\text{ V}$		$V_{CC} = 3.3\text{ V} \pm 0.3\text{ V}$		UNIT
				MIN	MAX	MIN	MAX	MIN	MAX	
$f_{\text{max}}$				125		125		125		MHz
$t_{\text{pd}}$	Buffer mode	A	Y	1	4.4	4.2		1.1	3.8	ns
	Both modes	CLK	$\overline{\text{YERR}}$	1	5.7	4.9		1.4	4.4	
				PARI/O	1.2	8.6	7.9		1.7	6.6
$t_{\text{pd}}^{(1)}$	Both modes	CLK	PARI/O	1	6.8	5.2		1.3	4.5	ns
$t_{\text{pd}}$	Both modes	MODE	Y	1	5.9	5.8		1.3	4.9	ns
$t_{\text{PLH}}$	Register mode	CLK	Y	1	6.1	5.5		1.2	4.8	ns
$t_{\text{PHL}}$				1	5.9	4.9		1.2	4.6	
$t_{\text{en}}$	Both modes	$\overline{\text{OE}}$	Y	1.1	6.5	6.4		1.4	5.4	ns
		$\overline{\text{PAROE}}$	PARI/O	1	5.6	6		1	4.8	
$t_{\text{dis}}$	Both modes	$\overline{\text{OE}}$	Y	1	6.4	5.2		1.7	5	ns
		$\overline{\text{PAROE}}$	PARI/O	1	3.2	3.8		1.2	3.8	
$t_{\text{PLH}}$	Both modes	$\overline{\text{OE}}$	$\overline{\text{YERR}}$	1	3.6	4.2		1.9	4	ns
$t_{\text{PHL}}$				1.2	5.1	4.9		1.5	4.2	

(1) See Figure 2 and Figure 5 for the load specification.

### SIMULTANEOUS SWITCHING CHARACTERISTICS<sup>(1)</sup>

(see Figure 3 and Figure 6)

PARAMETER		FROM (INPUT)	TO (OUTPUT)	$V_{CC} = 2.5\text{ V} \pm 0.2\text{ V}$		$V_{CC} = 2.7\text{ V}$		$V_{CC} = 3.3\text{ V} \pm 0.3\text{ V}$		UNIT
				MIN	MAX	MIN	MAX	MIN	MAX	
$t_{PLH}$	Register mode	CLK	Y	1.8	6.5	6.1		1.8	5	ns
$t_{PHL}$				1.4	5.9	5.1		1.7	4.5	

(1) All outputs switching

### OPERATING CHARACTERISTICS FOR BUFFER MODE

$T_A = 25^\circ\text{C}$

PARAMETER			TEST CONDITIONS	$V_{CC} = 2.5\text{ V} \pm 0.2\text{ V}$	$V_{CC} = 3.3\text{ V} \pm 0.3\text{ V}$	UNIT
				TYP	TYP	
$C_{pd}$	Power dissipation capacitance	Outputs enabled	$C_L = 0, \quad f = 10\text{ MHz}$	57.5	65	pF
		Outputs disabled		15	17.5	

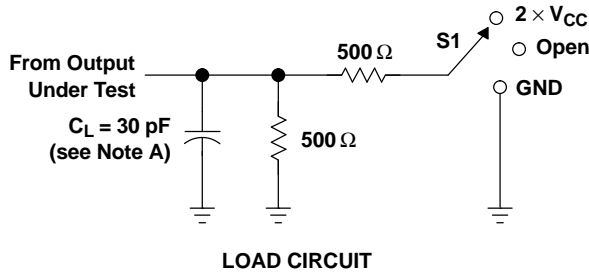
### OPERATING CHARACTERISTICS FOR REGISTER MODE

$T_A = 25^\circ\text{C}$

PARAMETER			TEST CONDITIONS	$V_{CC} = 2.5\text{ V} \pm 0.2\text{ V}$	$V_{CC} = 3.3\text{ V} \pm 0.3\text{ V}$	UNIT
				TYP	TYP	
$C_{pd}$	Power dissipation capacitance	Outputs enabled	$C_L = 0, \quad f = 10\text{ MHz}$	57	87.5	pF
		Outputs disabled		16.5	34	

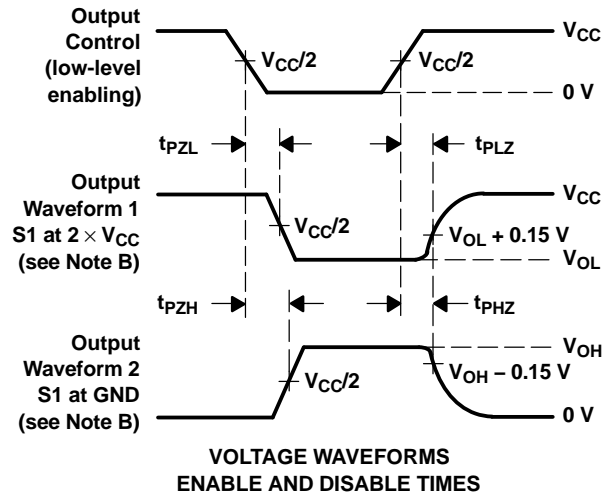
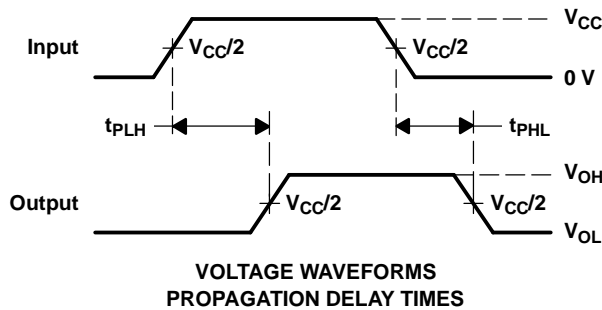
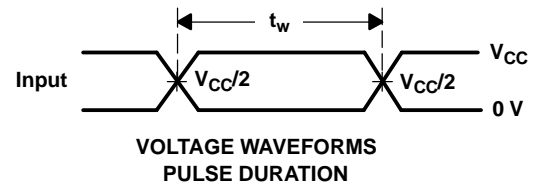
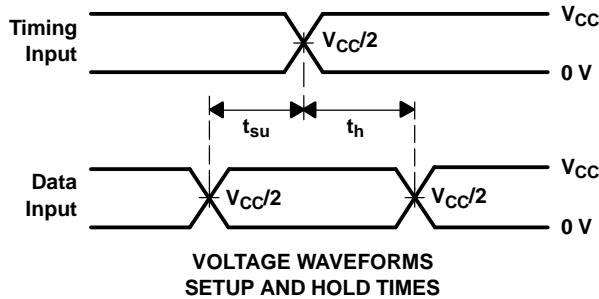
**PARAMETER MEASUREMENT INFORMATION**

$V_{CC} = 2.5\text{ V} \pm 0.2\text{ V}$



TEST	S1
$t_{pd}$	Open
$t_{PLZ}/t_{PZL}$	$2 \times V_{CC}$
$t_{PHZ}/t_{PZH}$	GND

YERR	S1
$t_{PHL}$ (see Note H)	$2 \times V_{CC}$
$t_{PLH}$ (see Note I)	$2 \times V_{CC}$

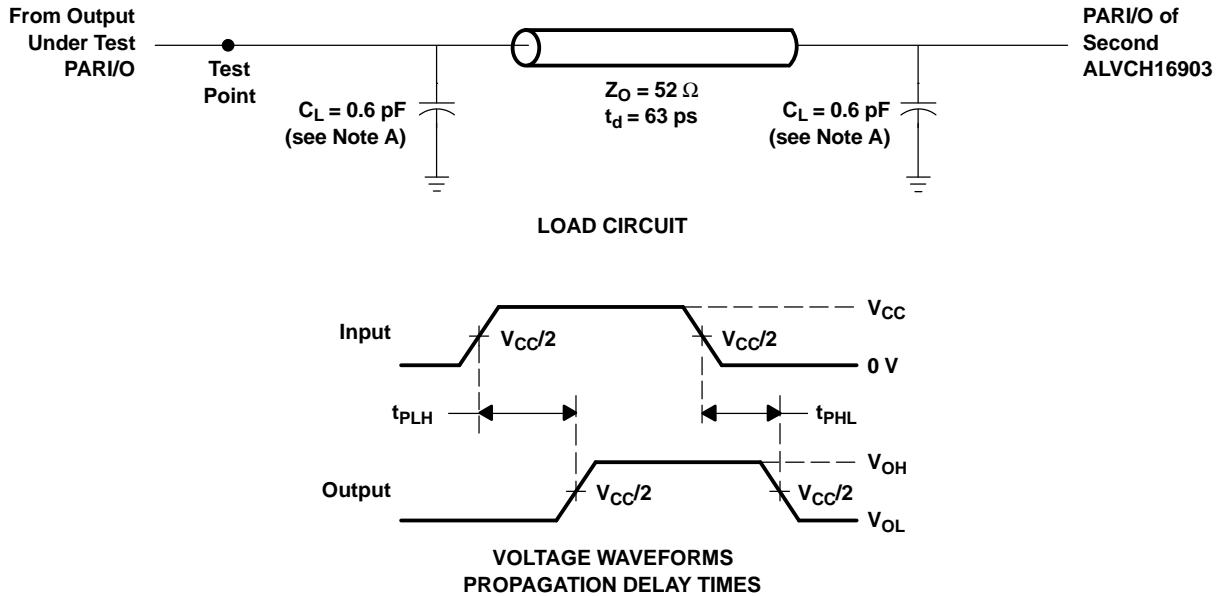


- NOTES: A.  $C_L$  includes probe and jig capacitance.  
B. Waveform 1 is for an output with internal conditions such that the output is low, except when disabled by the output control. Waveform 2 is for an output with internal conditions such that the output is high, except when disabled by the output control.  
C. All input pulses are supplied by generators having the following characteristics: PRR  $\leq 10$  MHz,  $Z_O = 50\ \Omega$ ,  $t_r \leq 2$  ns,  $t_f \leq 2$  ns.  
D. The outputs are measured one at a time, with one transition per measurement.  
E.  $t_{PLZ}$  and  $t_{PHZ}$  are the same as  $t_{dis}$ .  
F.  $t_{PZL}$  and  $t_{PZH}$  are the same as  $t_{en}$ .  
G.  $t_{PLH}$  and  $t_{PHL}$  are the same as  $t_{pd}$ .  
H.  $t_{PHL}$  is measured at  $V_{CC}/2$ .  
I.  $t_{PLH}$  is measured at  $V_{OL} + 0.15\text{ V}$ .

**Figure 1. Load Circuit and Voltage Waveforms**

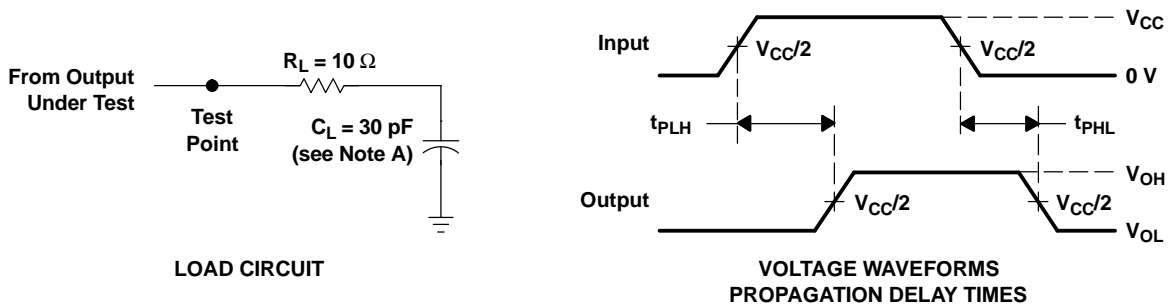


PARAMETER MEASUREMENT INFORMATION  
 $V_{CC} = 2.5 \text{ V} \pm 0.2 \text{ V}$



- NOTES: A.  $C_L$  includes probe and jig capacitance.  
B. All input pulses are supplied by generators having the following characteristics:  $PRR \leq 10 \text{ MHz}$ ,  $Z_O = 50 \Omega$ ,  $t_r \leq 2 \text{ ns}$ ,  $t_f \leq 2 \text{ ns}$ .  
C.  $t_{PLH}$  and  $t_{PHL}$  are the same as  $t_{pd}$ .

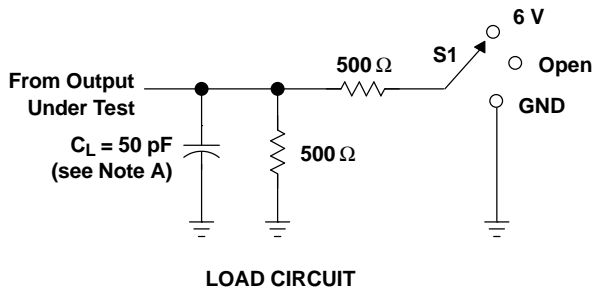
Figure 2. Load Circuit and Voltage Waveforms



- NOTES: A.  $C_L$  includes probe and jig capacitance.  
B. All input pulses are supplied by generators having the following characteristics:  $PRR \leq 10 \text{ MHz}$ ,  $Z_O = 50 \Omega$ ,  $t_r \leq 2 \text{ ns}$ ,  $t_f \leq 2 \text{ ns}$ .

Figure 3. Load Circuit and Voltage Waveforms

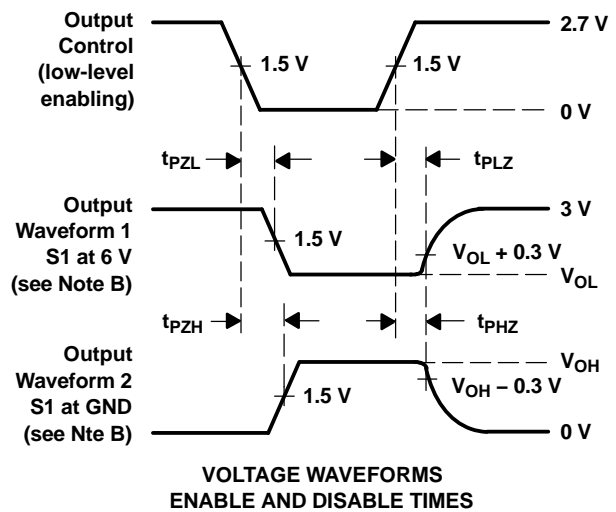
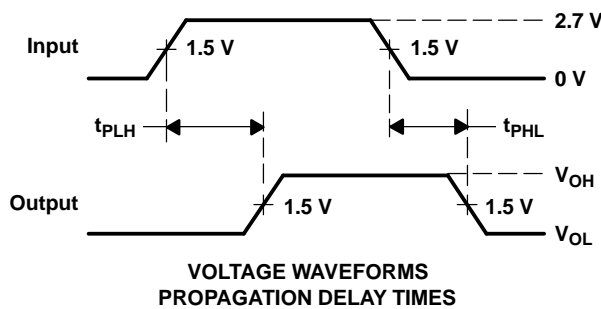
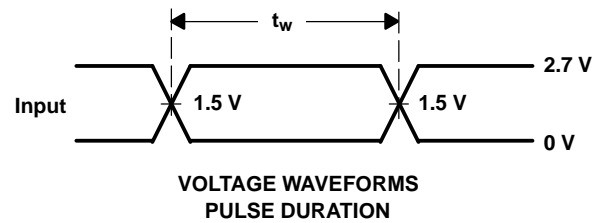
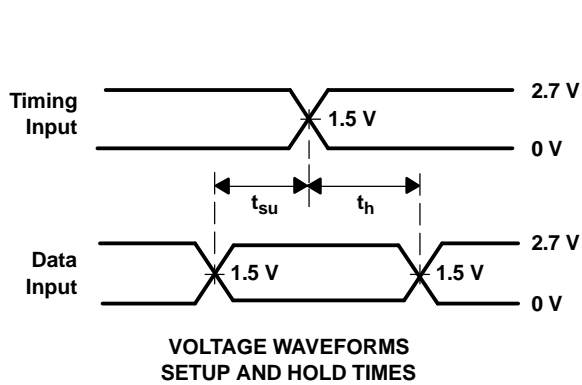
PARAMETER MEASUREMENT INFORMATION  
 $V_{CC} = 2.7\text{ V AND } 3.3\text{ V} \pm 0.3\text{ V}$



TEST	S1
$t_{pd}$	Open
$t_{PLZ}/t_{PZL}$	6 V
$t_{PHZ}/t_{PZH}$	GND

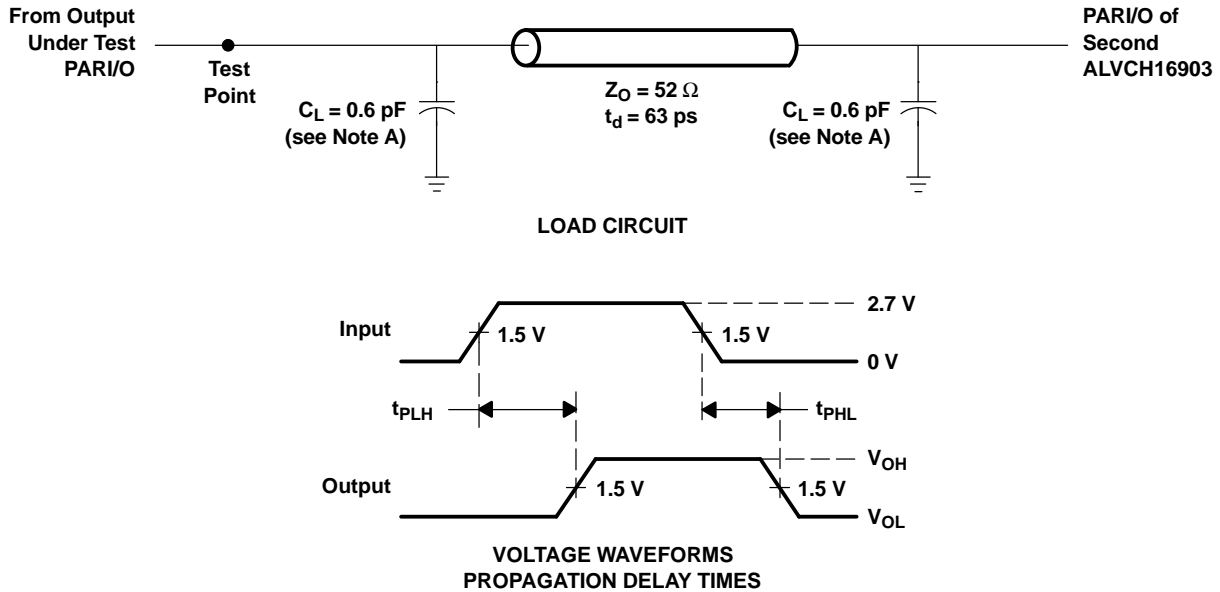
$\overline{YERR}$	S1
$t_{PHL}$ (see Note H)	6 V
$t_{PLH}$ (see Note I)	6 V



- NOTES: A.  $C_L$  includes probe and jig capacitance.  
 B. Waveform 1 is for an output with internal conditions such that the output is low, except when disabled by the output control. Waveform 2 is for an output with internal conditions such that the output is high, except when disabled by the output control.  
 C. All input pulses are supplied by generators having the following characteristics:  $PRR \leq 10\text{ MHz}$ ,  $Z_O = 50\ \Omega$ ,  $t_r \leq 2.5\text{ ns}$ ,  $t_f \leq 2.5\text{ ns}$ .  
 D. The outputs are measured one at a time, with one transition per measurement.  
 E.  $t_{PLZ}$  and  $t_{PHZ}$  are the same as  $t_{dis}$ .  
 F.  $t_{PZL}$  and  $t_{PZH}$  are the same as  $t_{en}$ .  
 G.  $t_{PLH}$  and  $t_{PHL}$  are the same as  $t_{pd}$ .  
 H.  $t_{PHL}$  is measured at 1.5 V.  
 I.  $t_{PLH}$  is measured at  $V_{OL} + 0.3\text{ V}$ .

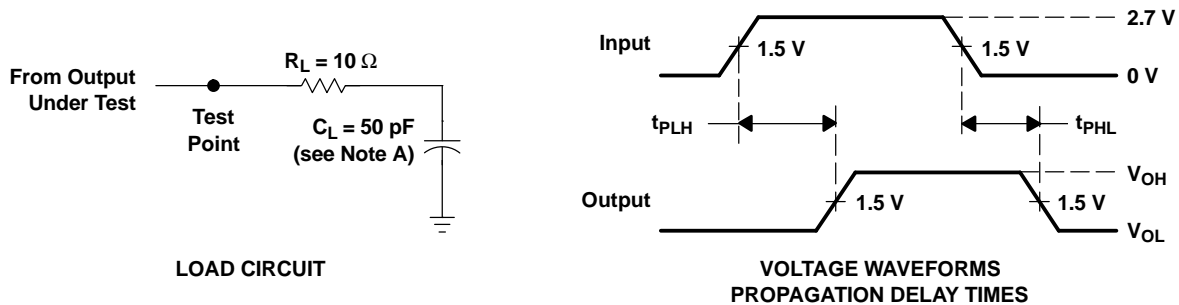
Figure 4. Load Circuit and Voltage Waveforms

PARAMETER MEASUREMENT INFORMATION  
 $V_{CC} = 2.7\text{ V}$  AND  $3.3\text{ V} \pm 0.3\text{ V}$



- NOTES: A.  $C_L$  includes probe and jig capacitance.  
B. All input pulses are supplied by generators having the following characteristics:  $PRR \leq 10\text{ MHz}$ ,  $Z_O = 50\ \Omega$ ,  $t_r \leq 2.5\text{ ns}$ ,  $t_f \leq 2.5\text{ ns}$ .  
C.  $t_{PLH}$  and  $t_{PHL}$  are the same as  $t_{pd}$ .

Figure 5. Load Circuit and Voltage Waveforms



- NOTES: A.  $C_L$  includes probe and jig capacitance.  
B. All input pulses are supplied by generators having the following characteristics:  $PRR \leq 10\text{ MHz}$ ,  $Z_O = 50\ \Omega$ ,  $t_r \leq 2.5\text{ ns}$ ,  $t_f \leq 2.5\text{ ns}$ .

Figure 6. Load Circuit and Voltage Waveforms

**PACKAGING INFORMATION**

Orderable Device	Status (1)	Package Type	Package Drawing	Pins	Package Qty	Eco Plan (2)	Lead/Ball Finish (6)	MSL Peak Temp (3)	Op Temp (°C)	Device Marking (4/5)	Samples
SN74ALVCH16903DL	ACTIVE	SSOP	DL	56	20	Green (RoHS & no Sb/Br)	NIPDAU	Level-1-260C-UNLIM	-40 to 85	ALVCH16903	<a href="#">Samples</a>

(1) The marketing status values are defined as follows:

**ACTIVE:** Product device recommended for new designs.

**LIFEBUY:** TI has announced that the device will be discontinued, and a lifetime-buy period is in effect.

**NRND:** Not recommended for new designs. Device is in production to support existing customers, but TI does not recommend using this part in a new design.

**PREVIEW:** Device has been announced but is not in production. Samples may or may not be available.

**OBSOLETE:** TI has discontinued the production of the device.

(2) **RoHS:** TI defines "RoHS" to mean semiconductor products that are compliant with the current EU RoHS requirements for all 10 RoHS substances, including the requirement that RoHS substance do not exceed 0.1% by weight in homogeneous materials. Where designed to be soldered at high temperatures, "RoHS" products are suitable for use in specified lead-free processes. TI may reference these types of products as "Pb-Free".

**RoHS Exempt:** TI defines "RoHS Exempt" to mean products that contain lead but are compliant with EU RoHS pursuant to a specific EU RoHS exemption.

**Green:** TI defines "Green" to mean the content of Chlorine (Cl) and Bromine (Br) based flame retardants meet JS709B low halogen requirements of <=1000ppm threshold. Antimony trioxide based flame retardants must also meet the <=1000ppm threshold requirement.

(3) MSL, Peak Temp. - The Moisture Sensitivity Level rating according to the JEDEC industry standard classifications, and peak solder temperature.

(4) There may be additional marking, which relates to the logo, the lot trace code information, or the environmental category on the device.

(5) Multiple Device Markings will be inside parentheses. Only one Device Marking contained in parentheses and separated by a "~" will appear on a device. If a line is indented then it is a continuation of the previous line and the two combined represent the entire Device Marking for that device.

(6) Lead/Ball Finish - Orderable Devices may have multiple material finish options. Finish options are separated by a vertical ruled line. Lead/Ball Finish values may wrap to two lines if the finish value exceeds the maximum column width.

**Important Information and Disclaimer:**The information provided on this page represents TI's knowledge and belief as of the date that it is provided. TI bases its knowledge and belief on information provided by third parties, and makes no representation or warranty as to the accuracy of such information. Efforts are underway to better integrate information from third parties. TI has taken and continues to take reasonable steps to provide representative and accurate information but may not have conducted destructive testing or chemical analysis on incoming materials and chemicals. TI and TI suppliers consider certain information to be proprietary, and thus CAS numbers and other limited information may not be available for release.

In no event shall TI's liability arising out of such information exceed the total purchase price of the TI part(s) at issue in this document sold by TI to Customer on an annual basis.

# MECHANICAL DATA

DL (R-PDSO-G56)

PLASTIC SMALL-OUTLINE PACKAGE



- NOTES:
- All linear dimensions are in inches (millimeters).
  - This drawing is subject to change without notice.
  - Body dimensions do not include mold flash or protrusion not to exceed 0.006 (0,15).
  - Falls within JEDEC MO-118

PowerPAD is a trademark of Texas Instruments.

## IMPORTANT NOTICE AND DISCLAIMER

TI PROVIDES TECHNICAL AND RELIABILITY DATA (INCLUDING DATASHEETS), DESIGN RESOURCES (INCLUDING REFERENCE DESIGNS), APPLICATION OR OTHER DESIGN ADVICE, WEB TOOLS, SAFETY INFORMATION, AND OTHER RESOURCES "AS IS" AND WITH ALL FAULTS, AND DISCLAIMS ALL WARRANTIES, EXPRESS AND IMPLIED, INCLUDING WITHOUT LIMITATION ANY IMPLIED WARRANTIES OF MERCHANTABILITY, FITNESS FOR A PARTICULAR PURPOSE OR NON-INFRINGEMENT OF THIRD PARTY INTELLECTUAL PROPERTY RIGHTS.

These resources are intended for skilled developers designing with TI products. You are solely responsible for (1) selecting the appropriate TI products for your application, (2) designing, validating and testing your application, and (3) ensuring your application meets applicable standards, and any other safety, security, or other requirements. These resources are subject to change without notice. TI grants you permission to use these resources only for development of an application that uses the TI products described in the resource. Other reproduction and display of these resources is prohibited. No license is granted to any other TI intellectual property right or to any third party intellectual property right. TI disclaims responsibility for, and you will fully indemnify TI and its representatives against, any claims, damages, costs, losses, and liabilities arising out of your use of these resources.

TI's products are provided subject to TI's Terms of Sale ([www.ti.com/legal/termsofsale.html](http://www.ti.com/legal/termsofsale.html)) or other applicable terms available either on [ti.com](http://ti.com) or provided in conjunction with such TI products. TI's provision of these resources does not expand or otherwise alter TI's applicable warranties or warranty disclaimers for TI products.

Mailing Address: Texas Instruments, Post Office Box 655303, Dallas, Texas 75265  
Copyright © 2020, Texas Instruments Incorporated