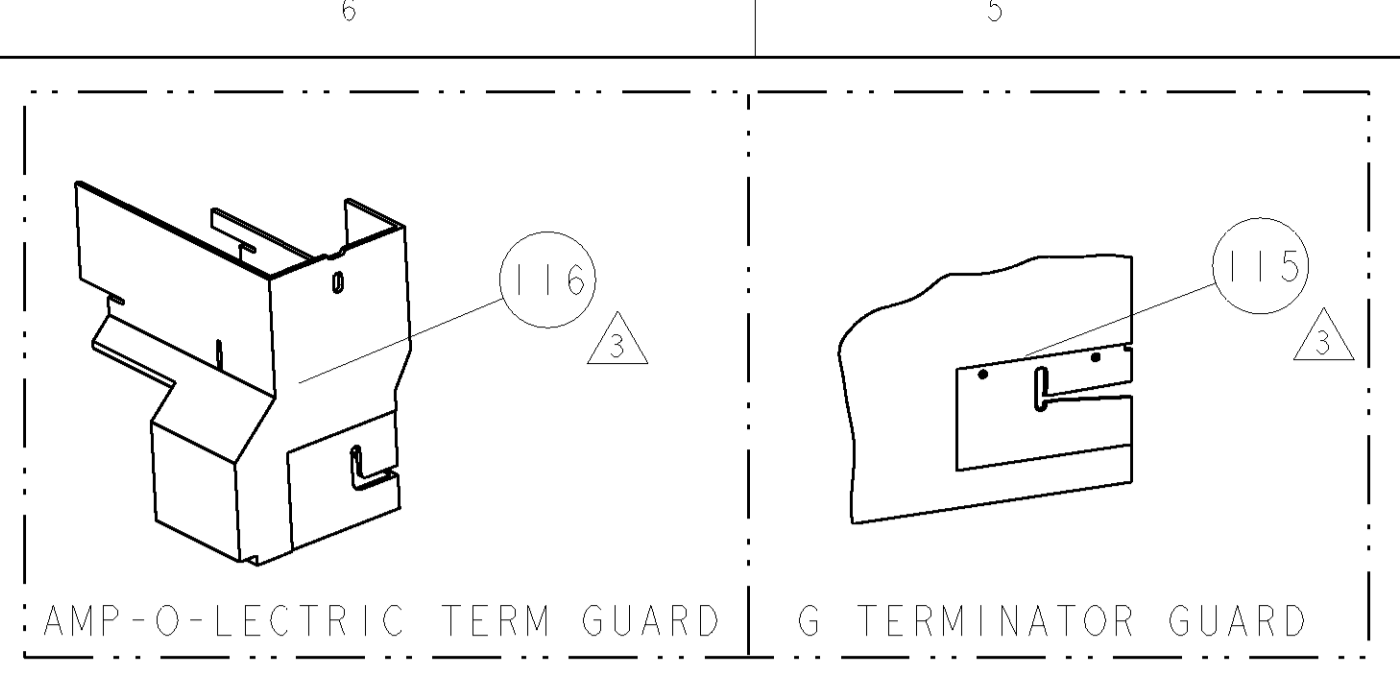


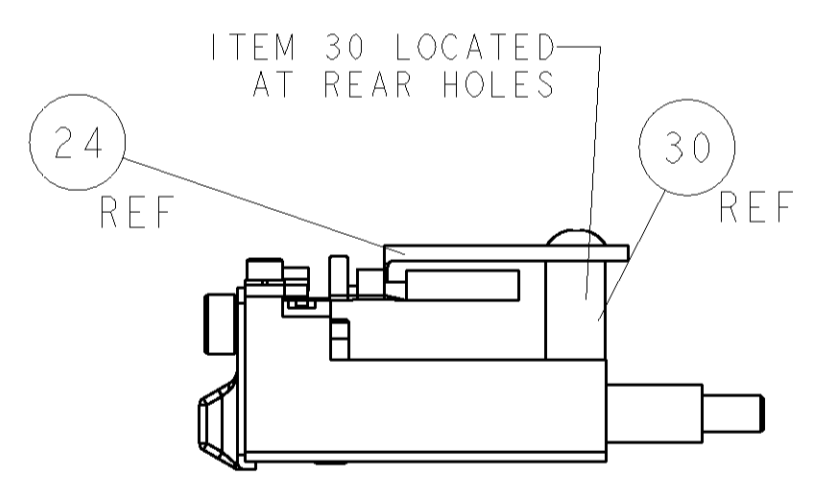
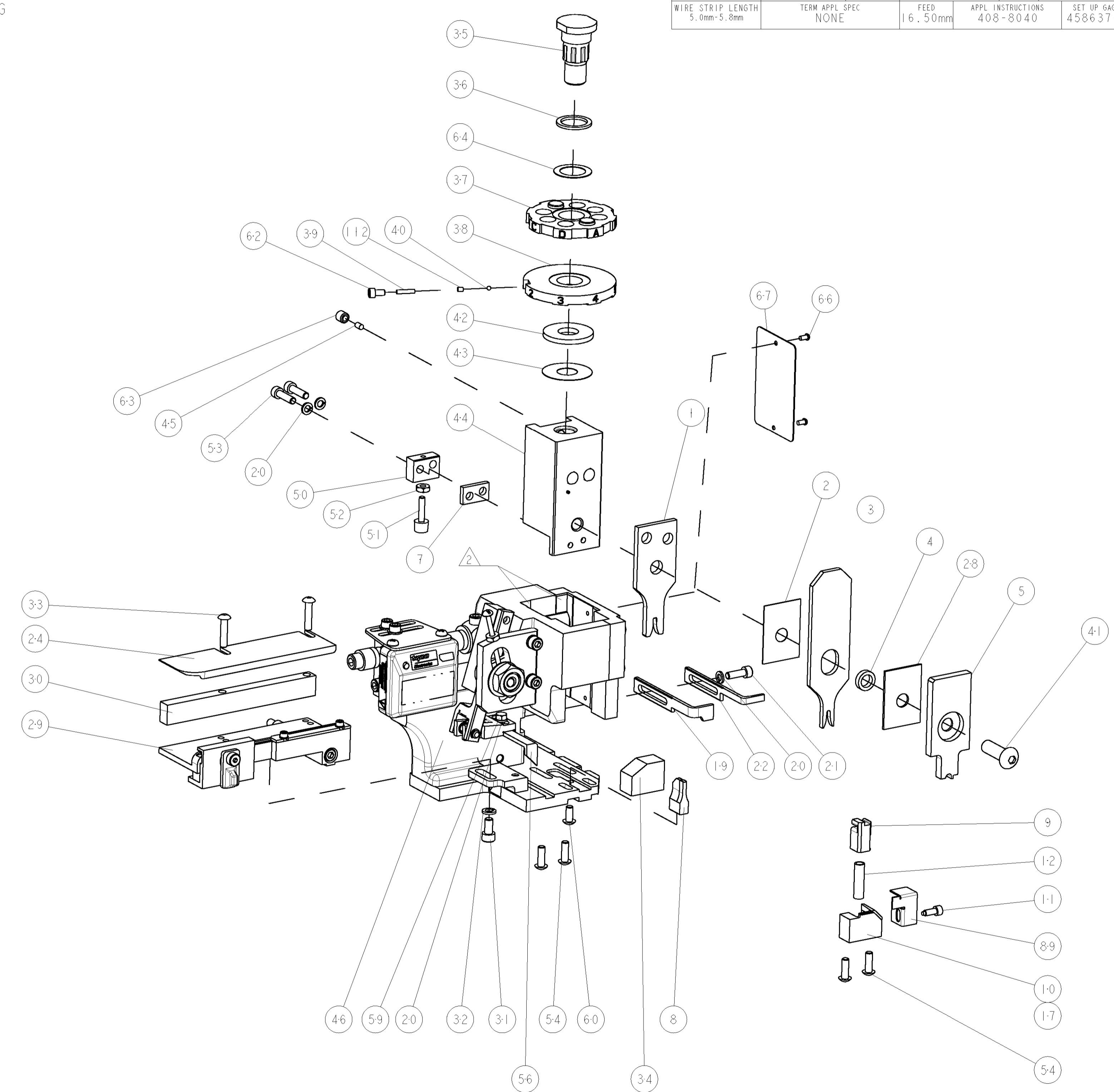
PART NUMBER	REV	FIRST USED	POWER UNIT	FEED TYPE	DESCRIPTION
1852245-1	A	122500-1	LEADMAKER	POST FEED	CUTS CARRIER
1852245-2	A	565435-5	BENCH MODEL K	PRE FEED	CUTS CARRIER
1852245-3	A	354500-1	BENCH MODEL G	PRE FEED	CUTS CARRIER
1852245-6	A	122500-1	LEADMAKER	POST FEED	CONTINUOUS CARRIER
7-1852245-7	A	-	-	-	SPARE PARTS



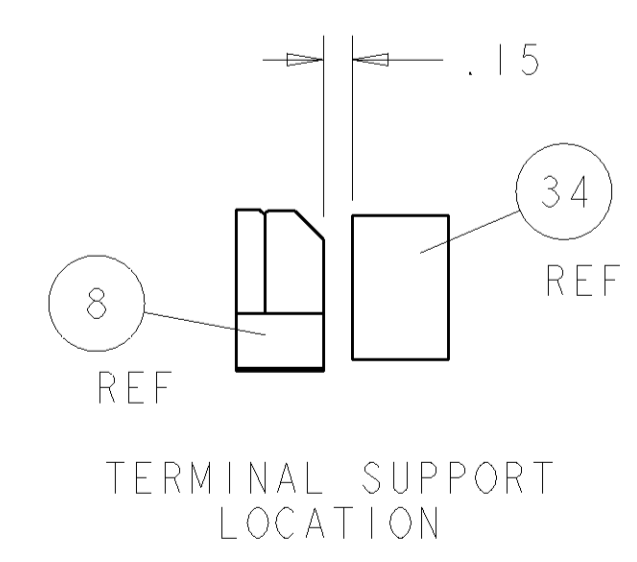
TERMINAL NAME: TERMINAL		PACKARD TERMINAL-PACKARD CRIMP SPECS		
TYCO PN	COMP PN	PAD LTR	WIRE SIZE	
1949020-1	15465511	-	1.5mm	
-	-	A	1.50±0.05mm [.059±.002]	
-	-	B	-	
-	-	C	-	
-	-	D	-	
CRIMP	SIZE	TYPE	RANGE	
-	2.21mm [.087]	F	1.5mm	
-	2.54mm [.100]	O	2.54mm MAX	
WIRE STRIP LENGTH	TERM APPL SPEC	FEED	APPL INSTRUCTIONS	SET UP GAGE
5.0mm-5.8mm	NONE	16.50mm	408-8040	458637-1

LOC	DIST	REV	DESCRIPTION	DATE	DWN	APPR
A	66	A	RELEASED	31MAR2006	BH	BH

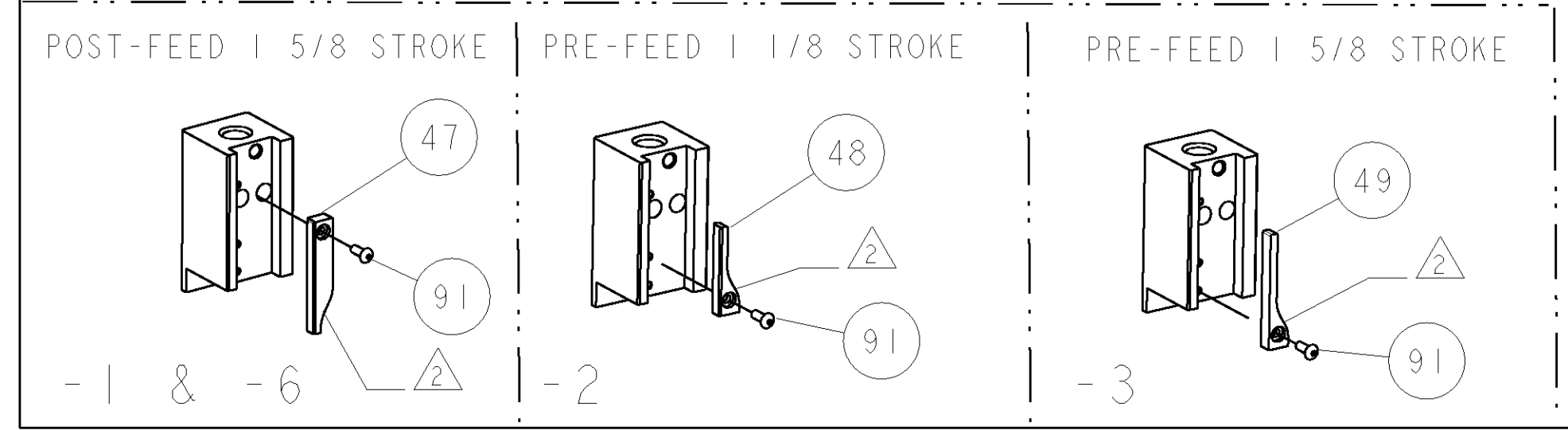
- △ RECOMMENDED SPARE PARTS
- △ GREASE LIGHTLY
- △ GUARD MUST BE IN PLACE WHEN OPERATING APPLICATOR IN A BENCH MACHINE



FEED TRACK POSITION



-	2	2	2	2	-	1-354779-8	PIN, WIRE DISC, .3080	126
△	-	-	REF	-	-	455749-1	GUARD WINDOW	116
△	-	-	REF	-	-	679532-1	INSERT, GUARD	115
-	-	1	1	1	-	690603-1	SPRING ASSIST AMP-O-MATOR APPLICATOR	112
-	-	1	1	1	-	1-21002-7	SCR, BTN SKT HD CAP 6-32 X .375	91
-	-	1	1	1	-	318563-1	GUARD, FRONT CHIP	89
-	-	1	1	1	-	4088040	SF APPL INST 408-8040	72
-	-	1	1	1	-	217238-1	GENERAL INSTRUCTION PKG	71
-	-	1	1	1	-	461264-1	PLATE, IDENTIFICATION	67
-	2	2	2	2	-	21017-2	SCREW, DRIVE	66
-	-	1	1	1	-	986950-1	WASHER, FLAT PRECISION	64
-	-	1	1	1	-	21009-2	SCR, SET, SELF LOCKING 1/4-20 X .250	63
-	-	1	1	1	-	23030-1	SCR, SKT HD CAP 6-32 X .25	62
-	-	1	1	1	-	22733-8	SCR, BHSC, SELF-LOCKING, 8-32 X .375	60
-	-	1	1	1	-	2-22603-0	SCR, HEX HD CAP 8-32 X .312	59
-	-	1	1	1	-	458537-2	PAWL, FEED	56
-	4	4	4	4	-	2-21002-2	SCR, BTN SKT HD CAP 8-32 X .500	54
-	2	2	2	2	-	2-21000-8	SCR, SKT HD CAP 8-32 X .625	53
-	-	1	1	1	-	21018-5	NUT, HEX, REG 6-32	52
-	-	1	1	1	-	811242-2	BUMPER, HOLD DOWN	51
-	-	1	1	1	-	690753-1	SPACER, TONKER	50
-	-	1	-	-	-	690602-6	CAM, PRE FEED, 1 5/8	49
-	-	1	-	-	-	690602-5	CAM, PRE FEED, 1 1/8	48
-	-	1	-	-	-	690501-4	CAM, POST FEED, 1 5/8	47
-	-	1	1	1	-	459456-1	APPL. BASIC SUB ASSY (SIDE WISE MOCA)	46
-	-	1	1	1	-	690191-1	PLUG, NYLON	45
-	-	1	1	1	-	455673-1	RAM, SIDE FEED	44
-	-	1	1	1	-	690125-1	SHIM SUB-ASSY	43
-	-	1	1	1	-	690124-1	WASHER, RAM (.115)	42
-	-	1	1	1	-	7-21002-9	SCR, BTN SKT HD CAP 5/16-24 X 1.00	41
-	-	1	1	1	-	23241-6	BALL, STEEL	40
-	-	1	1	1	-	690170-1	SPRING, COMPRESSION	39
-	-	1	1	1	-	690142-1	DISC, INSULATION	38
-	-	1	1	1	-	354777-1	WIRE DISC, ASSEMBLY	37
-	-	1	1	1	-	22480-5	SPRING, COMPRESSION	36
-	-	1	1	1	-	690212-1	POST, RAM	35
-	-	1	1	1	-	690786-6	TERMINAL SUPPORT	34
-	2	2	2	2	-	2-21002-4	SCR, BTN SKT HD CAP 8-32 X .750	33
-	-	1	1	1	-	21024-5	WASHER, SPRG LOCK, REG NO 10	32
-	-	1	1	1	-	3-21000-4	SCR, SKT HD CAP 10-32 X .375	31
-	-	1	1	1	-	1320908-8	SPACER, STRIP GUIDE	30
-	-	1	1	1	-	1633091-3	ASSEMBLY, STRIP GUIDE	29
-	-	1	1	1	-	1-455888-0	SPACER, CRIMPER	28
-	-	1	1	1	-	1320928-1	PLATE, STRIP GUIDE	24
-	-	1	1	1	-	690472-2	STRIPPER	22
-	-	1	1	1	-	2-21000-7	SCR, SKT HD CAP 8-32 X .500	21
-	4	4	4	4	-	21024-4	WASHER, SPRG LOCK, REG NO 8	20
-	-	1	1	1	-	691353-1	STRIPPER	19
△	-	1	1	1	-	679625-1	SHEAR HOLDER, FRONT (NO CUT)	17
-	-	1	1	1	-	3-22280-3	SPRING, COMPRESSION	12
-	-	1	1	1	-	690461-1	STOP, SHEAR	11
△	-	1	1	1	-	690459-1	SHEAR HOLDER, FRONT	10
△	-	1	1	1	-	454276-2	FLOATING SHEAR, FRONT	9
△	1	1	1	1	-	6-1633116-7	ANVIL, COMBINATION	8
-	-	1	1	1	-	5-240641-2	SPACER	7
-	-	1	1	1	-	1-455889-4	DEPRESSOR, SHEAR	5
-	-	1	1	1	-	238011-2	BLOCK, CRIMPER SPACER	4
△	1	1	1	1	-	4-456135-8	CRIMPER, INSULATION O PREMIUM	3
-	-	1	1	1	-	455888-3	SPACER, CRIMPER	2
△	1	1	1	1	-	3-1490019-7	CRIMPER, WIRE PREMIUM	1



DIMENSIONS:		TOLERANCES UNLESS OTHERWISE SPECIFIED:	
INCHES	0 PLC ±.01	1 PLC ±.01	2 PLC ±.01
	3 PLC ±.001	4 PLC ±.001	ANGLES ±.0001
MATERIAL	FINISH	WEIGHT	CUSTOMER DRAWING

APPROVED	DATE	NAME	SCALE	SHEET	OF	REV
B. HIGMAN	15MAY2006	Tyco Electronics	3:5	1	1	A
B. HIGMAN	15MAY2006	Tyco Electronics	3:5	1	1	A
T. ELBIN	15MAY2006	Tyco Electronics	3:5	1	1	A

CUSTOMER VIEWABLE ASSEMBLY

Mouser Electronics

Authorized Distributor

Click to View Pricing, Inventory, Delivery & Lifecycle Information:

[TE Connectivity:](#)

[1852245-2](#)