

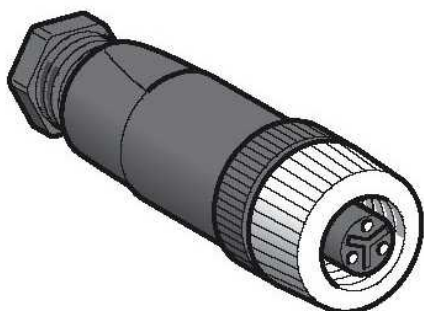
Product data sheet

Characteristics

XZCC20FDM30B

female, 1/2 20UNF, 3-pin, straight connector - cable gland Pg 7

Product availability: Non-Stock - Not normally stocked in distribution facility



Main

Commercial Status	Commercialised
Accessory / separate part category	Cabling accessories
Accessory / separate part type	Connector
Electrical connection	Straight female connector 1/2 20 UNF, 3 pins
Collar material	Metal
Status LED	Without
Cable connection	Screw terminal / wire size $\leq 0 \text{ in}^2 (0.75 \text{ mm}^2)$ / clamping capacity 0.12...0.24 in (3...6 mm)

Complementary

Cable gland type	Pg 7
Cable connector fixing	Screw-on
[Ue] rated operational voltage	250 V AC
[In] rated current	4 A
Enclosure material	Plastic
Insulating resistance	$> 1000 \text{ G}\Omega$
Contact resistance	$\leq 8000 \text{ }\mu\text{Ohm}$
Product weight	0.04 lb(US) (0.02 kg)

Environment

IP degree of protection	IP67
Ambient air temperature for operation	-40...185 °F (-40...85 °C)

Ordering and shipping details

Category	22483 - MACHINE CABLES
Discount Schedule	DS3
GTIN	003389110806304
Nbr. of units in pkg.	1
Package weight(Lbs)	0.06
Product availability	Non-Stock - Not normally stocked in distribution facility
Returnability	N
Country of origin	DE

Offer Sustainability

Sustainable offer status	Not Green Premium product
RoHS	Compliant - since 0545 - Schneider Electric declaration of conformity

Contractual warranty

Period	18 months
--------	-----------

The information provided in this documentation contains general descriptions and/or technical characteristics of the performance of the products contained herein. This documentation is not intended as a substitute for and is not to be used for determining suitability or reliability of these products for specific user applications. It is the duty of any such user or integrator to perform the appropriate and complete risk analysis, evaluation and testing of the products with respect to the relevant specific application or use thereof. Neither Schneider Electric Industries SAS nor any of its affiliates or subsidiaries shall be responsible or liable for misuse of the information contained herein.

Mouser Electronics

Authorized Distributor

Click to View Pricing, Inventory, Delivery & Lifecycle Information:

[Schneider Electric:](#)

[XZCC20FDM30B](#)