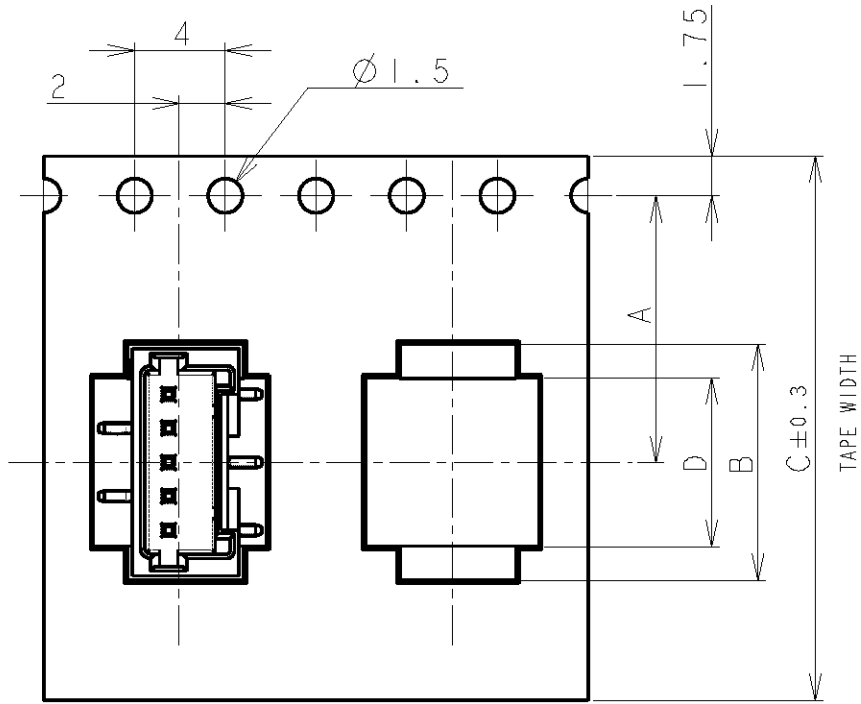


THIS DRAWING IS UNPUBLISHED.

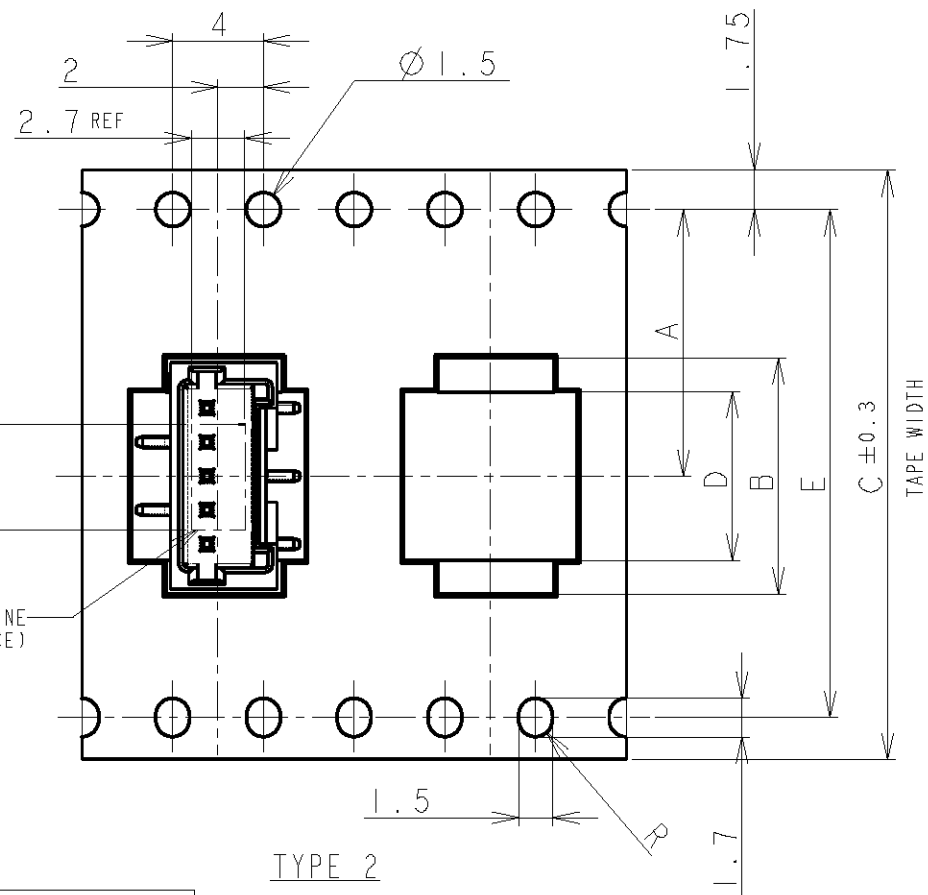
RELEASED FOR PUBLICATION

© COPYRIGHT BY ALL RIGHTS RESERVED.

LOC	DIST	REVISIONS				
P	LTR	DESCRIPTION	DATE	DWN	APVD	
FB	00	B1	REVISED PER ECO-11-005033	2APR11	RK	HMR

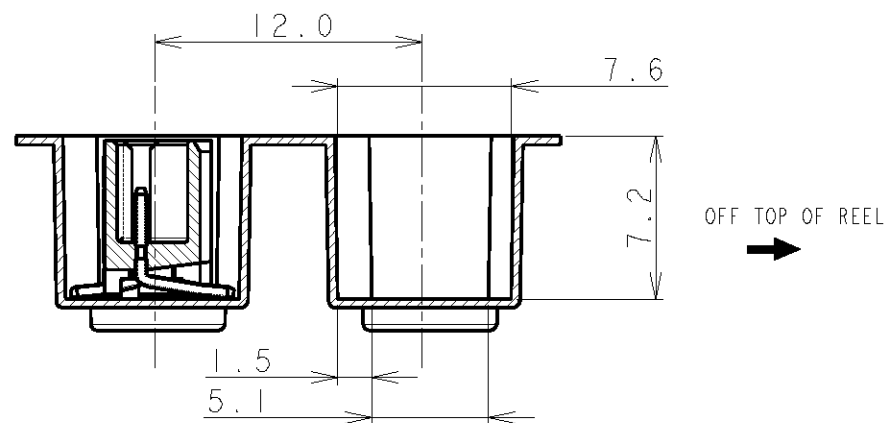
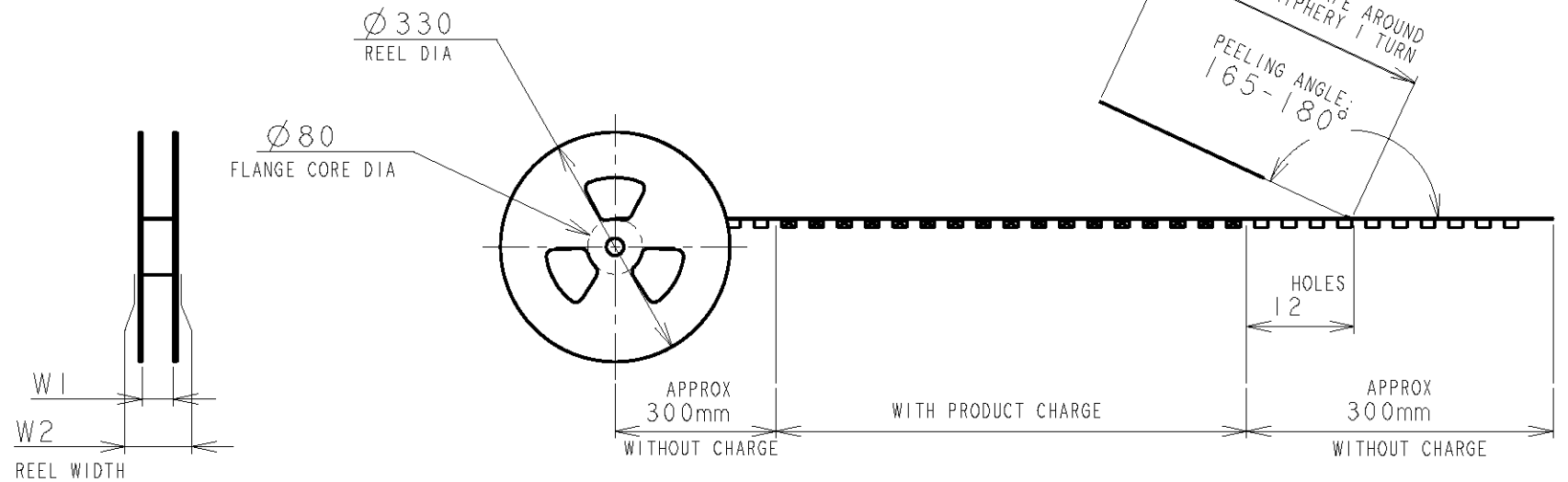
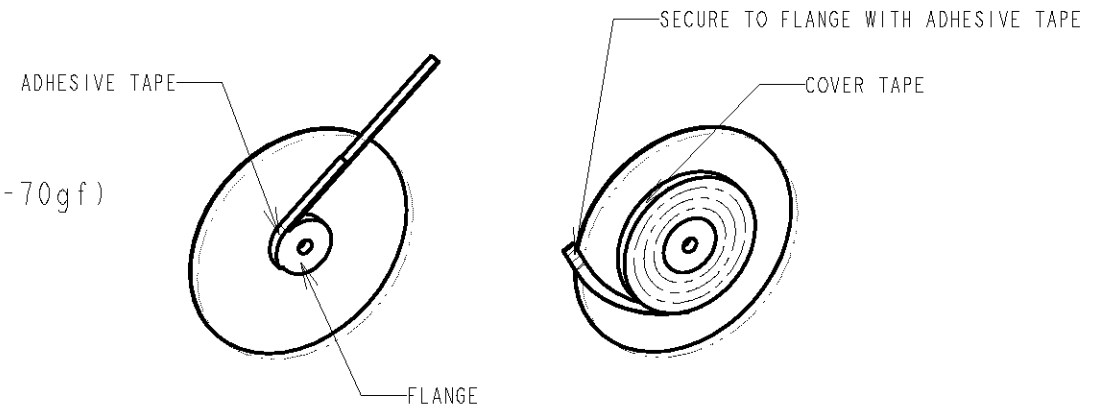


TYPE 1



TYPE 2

NOTE:
 1. PEELING STRENGTH: 0.20-0.69N (20-70gf)
 PEELING ANGLE: 165-180°
 PEELING SPEED: 300mm/MINUTE.



VACUUM NOZZLE OUTLINE (FOR REFERENCE)

TOLERANCES UNLESS OTHERWISE SPECIFIED:

- 10 > : ±0.2
- 30 > * > 10 : ±0.25
- 100 > * > 30 : ±0.3
- ANGLE : ±3°

DWN S.XU 31JAN03		STE TE Connectivity	
CHK S.YAO 31JAN03			
APVD T.SASAKI 31JAN03		NAME AMP Mini Common Terminated (CT) Connector 1.5mm PITCH SINGLE ROW POST HDR ASS'Y (V) SMT TYPE WITH BOSS, EMBOSS TAPE PACKAGED	
PRODUCT SPEC 108-60018		SIZE A3	CAGE CODE 00779
APPLICATION SPEC 114-5223		DRAWING NO C-292230	RESTRICTED TO -
MATERIAL - FINISH -		SCALE NON	SHEET 1 OF 4
CUSTOMER DRAWING		REV B1	

THIS DRAWING IS UNPUBLISHED.

ALL RIGHTS RESERVED.

LOC	DIST	REVISIONS						
FB	00	P	LTR	DESCRIPTION	DATE	DWN	APVD	
				SEE SHEET 1				

TAPE TYPE	TYPE 2	W2	W1	F	E	D	C	B	A	QTY/REEL	POS	COLOR	ON TAPE P/N
		DIMENSIONS											
		49.5	45.5	6.2	40.4	29.9	44	32.9	20.2±0.15	500	20	BLACK	7-292230-0
		49.5	45.5	4.7	40.4	28.4	44	31.4	20.2±0.15	500	19		6-292230-9
		49.5	45.5	6.2	40.4	26.9	44	29.9	20.2±0.15	500	18		6-292230-8
		49.5	45.5	4.7	40.4	25.4	44	28.4	20.2±0.15	500	17		6-292230-7
		49.5	45.5	6.2	40.4	23.9	44	26.9	20.2±0.15	500	16		6-292230-6
		49.5	45.5	4.7	40.4	22.4	44	25.4	20.2±0.15	500	15		6-292230-5
		49.5	45.5	6.2	40.4	20.9	44	23.9	20.2±0.15	500	14		6-292230-4
		49.5	45.5	4.7	40.4	19.4	44	22.4	20.2±0.15	500	13		6-292230-3
		37.5	33.5	6.2	28.4	17.9	32	20.9	14.2	500	12		6-292230-2
		37.5	33.5	4.7	28.4	16.4	32	19.4	14.2	500	11		6-292230-1
		37.5	33.5	6.2	28.4	14.9	32	17.9	14.2	500	10		6-292230-0
		37.5	33.5	4.7	28.4	13.4	32	16.4	14.2	500	9		5-292230-9
	TYPE 1	29.5	25.5	6.2	-	11.9	24	14.9	11.5	500	8		5-292230-8
		29.5	25.5	4.7	-	10.4	24	13.4	11.5	500	7		5-292230-7
		29.5	25.5	6.2	-	8.9	24	11.9	11.5	500	6		5-292230-6
		29.5	25.5	4.7	-	7.4	24	10.4	11.5	500	5		5-292230-5
		21.5	17.5	6.2	-	5.9	16	8.9	7.5	500	4		5-292230-4
		21.5	17.5	4.7	-	4.4	16	7.4	7.5	500	3		5-292230-3
		21.5	17.5	2.8	-	2.9	16	5.9	7.5	500	2		-
TAPE TYPE	TYPE 1	W2	W1	F	E	D	C	B	A	QTY/REEL	POS		COLOR
		DIMENSIONS											

TAPE TYPE	TYPE 2	W2	W1	F	E	D	C	B	A	QTY/REEL	POS	COLOR	ON TAPE P/N
		DIMENSIONS											
		49.5	45.5	6.2	40.4	29.9	44	32.9	20.2±0.15	500	20	BEIGE	2-292230-0
		49.5	45.5	4.7	40.4	28.4	44	31.4	20.2±0.15	500	19		1-292230-9
		49.5	45.5	6.2	40.4	26.9	44	29.9	20.2±0.15	500	18		1-292230-8
		49.5	45.5	4.7	40.4	25.4	44	28.4	20.2±0.15	500	17		1-292230-7
		49.5	45.5	6.2	40.4	23.9	44	26.9	20.2±0.15	500	16		1-292230-6
		49.5	45.5	4.7	40.4	22.4	44	25.4	20.2±0.15	500	15		1-292230-5
		49.5	45.5	6.2	40.4	20.9	44	23.9	20.2±0.15	500	14		1-292230-4
		49.5	45.5	4.7	40.4	19.4	44	22.4	20.2±0.15	500	13		1-292230-3
		37.5	33.5	6.2	28.4	17.9	32	20.9	14.2	500	12		1-292230-2
		37.5	33.5	4.7	28.4	16.4	32	19.4	14.2	500	11		1-292230-1
		37.5	33.5	6.2	28.4	14.9	32	17.9	14.2	500	10		1-292230-0
		37.5	33.5	4.7	28.4	13.4	32	16.4	14.2	500	9		292230-9
	TYPE 1	29.5	25.5	6.2	-	11.9	24	14.9	11.5	500	8		292230-8
		29.5	25.5	4.7	-	10.4	24	13.4	11.5	500	7		292230-7
		29.5	25.5	6.2	-	8.9	24	11.9	11.5	500	6		292230-6
		29.5	25.5	4.7	-	7.4	24	10.4	11.5	500	5		292230-5
		21.5	17.5	6.2	-	5.9	16	8.9	7.5	500	4		292230-4
		21.5	17.5	4.7	-	4.4	16	7.4	7.5	500	3		292230-3
		21.5	17.5	2.8	-	2.9	16	5.9	7.5	500	2		-
TAPE TYPE	TYPE 1	W2	W1	F	E	D	C	B	A	QTY/REEL	POS		COLOR
		DIMENSIONS											

DIMENSIONS: mm

TOLERANCES UNLESS OTHERWISE SPECIFIED:

0 PLC	±
1 PLC	±0.1
2 PLC	±0.01
3 PLC	±0.001
4 PLC	±0.0001
ANGLES	±

DWN

CHK

APVD

PRODUCT SPEC
SEE SHEET 1 OF 4

APPLICATION SPEC
SEE SHEET 1 OF 4

WEIGHT

CUSTOMER DRAWING

MATERIAL

FINISH

STE TE Connectivity

NAME AMP Mini Common Terminated (CT) Connector 1.5mm PITCH
SINGLE ROW POST HDR ASS'Y (V)
SMT TYPE WITH BOSS, EMBOSS TAPE PACKAGED

SIZE A4 CAGE CODE 00779 DRAWING NO G-292230 RESTRICTED TO -

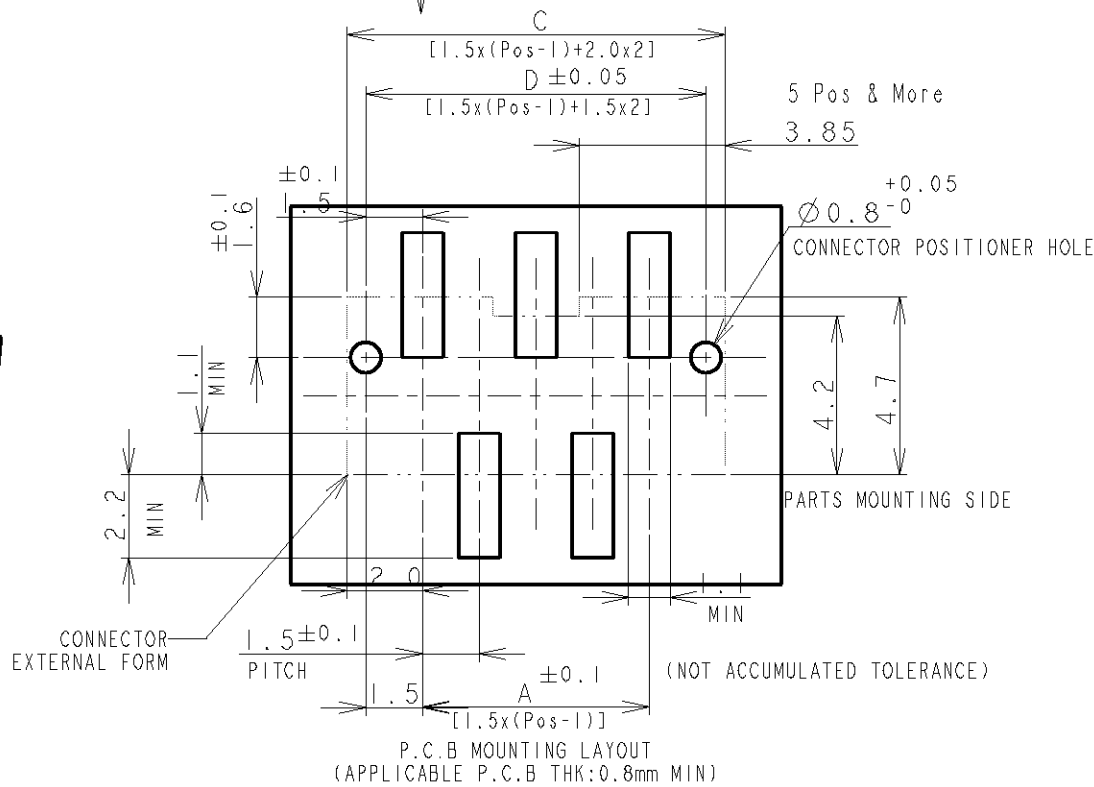
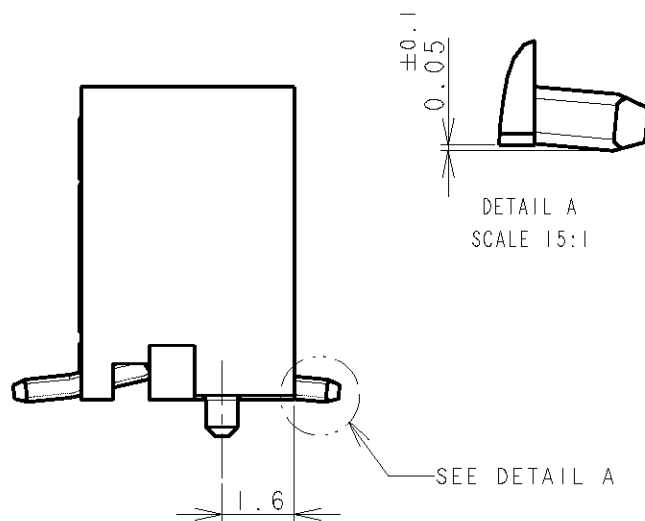
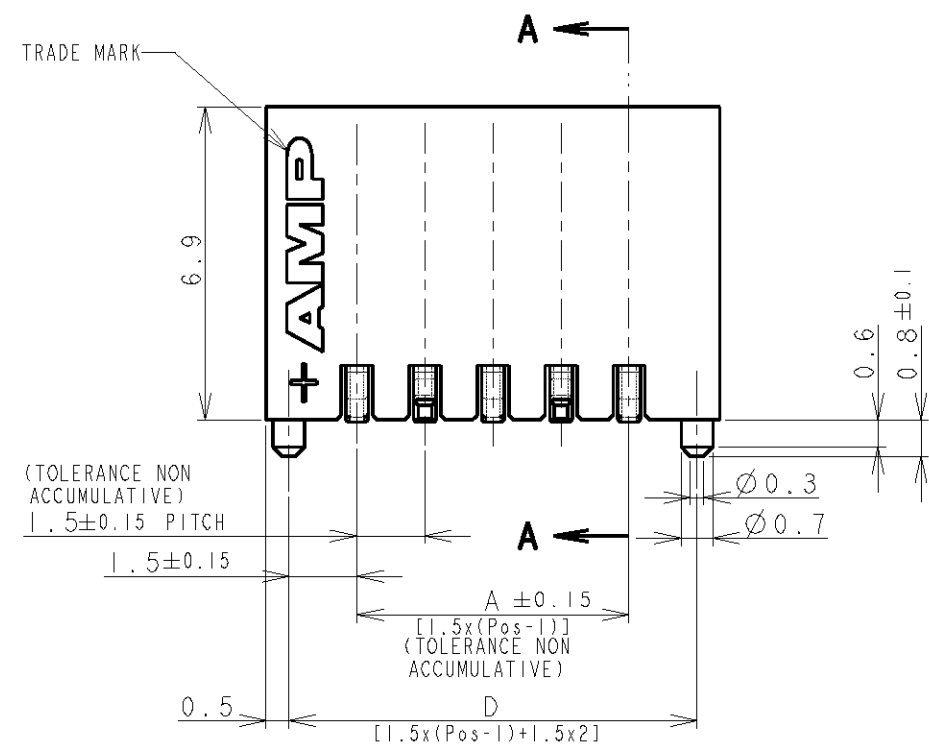
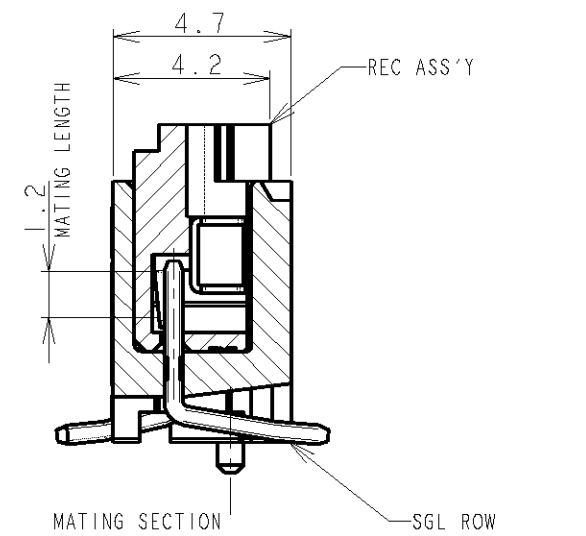
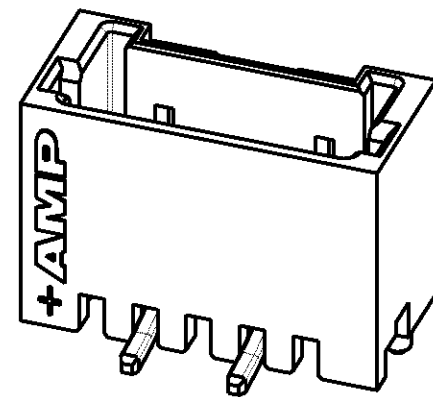
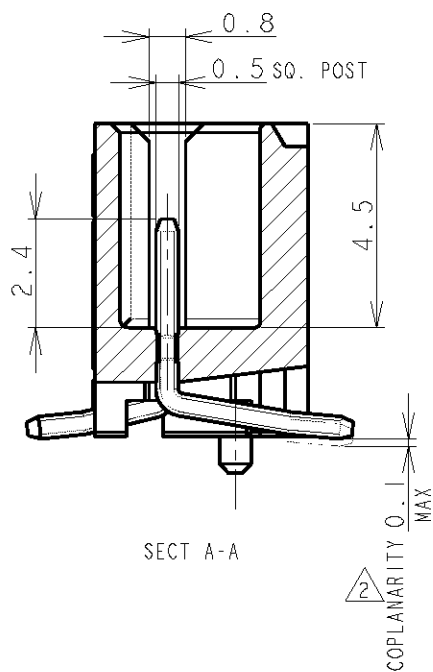
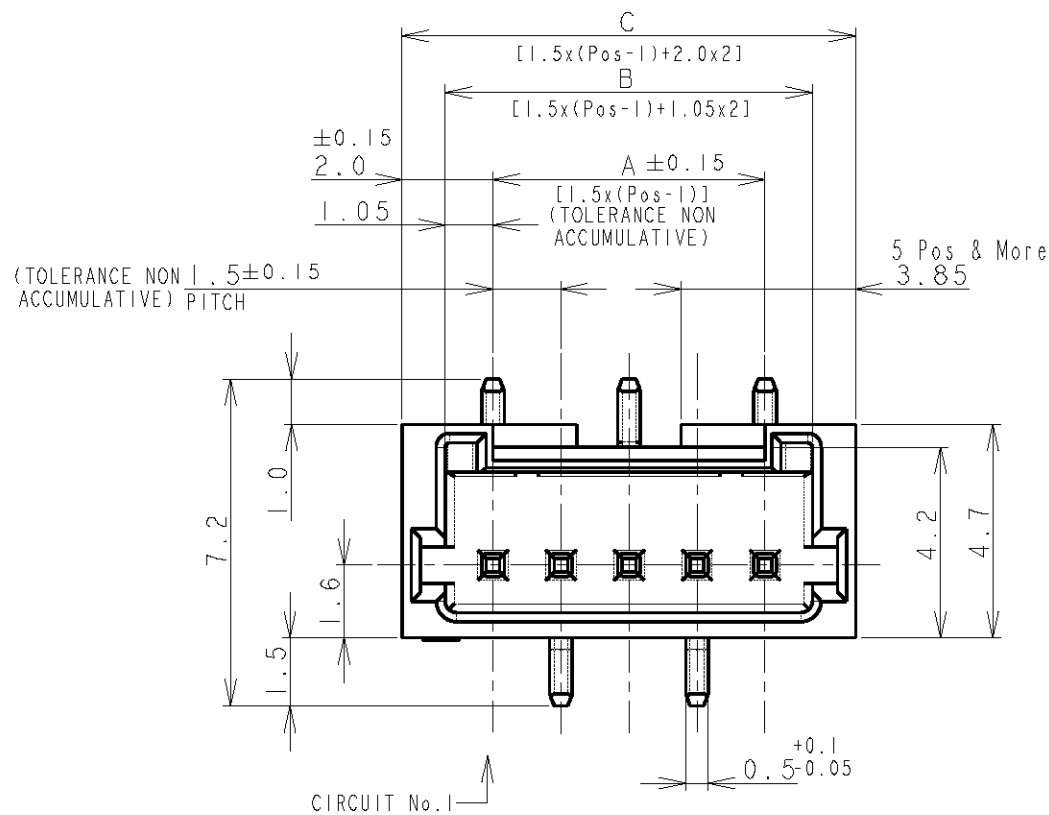
SCALE NON SHEET 2 OF 4 REV B1

THIS DRAWING IS UNPUBLISHED.

RELEASED FOR PUBLICATION

© COPYRIGHT BY ALL RIGHTS RESERVED.

LOC	DIST	REVISIONS			
P	LTR	DESCRIPTION	DATE	DWN	APVD
FB	00	SEE SHEET 1			



NOTES:
 1. MATERIAL:
 HOUSING: GLASS FILLED, HIGH HEAT RESISTANT NYLON, UL94V-0, COLOR: BEIGE OR BLACK
 POST: Sn-100% BRASS WIRE
 TO BE MEASURED WITH CONNECTOR PLACED ON HORIZONTAL DATUM SURFACE, FLOAT OF SOLDER TINE FROM DATUM SURFACE IS 0.1mm MAX.


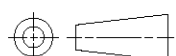
DWN		STE TE Connectivity	
CHK			
APVD		NAME	
PRODUCT SPEC		AMP MINI COMMON TERMINATION (CT) CONNECTOR 1.5 mm PITCH SINGLE ROW POST HDR ASS'Y (V) SMT TYPE WITH BOSS	
APPLICATION SPEC		RESTRICTED TO	
WEIGHT		SIZE	CAGE CODE
MATERIAL		DRAWING NO	
FINISH		A3 00779 C-292230	
SEE NOTE 1		CUSTOMER DRAWING	
SEE NOTE 1		SCALE	SHEET
		NON	3 OF 4
		REV	B1

LOC	DIST	REVISIONS					
FB	00	P	LTR	DESCRIPTION	DATE	DWN	APVD
		-		SEE SHEET 1	-	-	-

0.98	31.5	32.5	30.6	28.5	20	7-292230-0	2-292230-0
0.93	30.0	31.0	29.1	27.0	19	6-292230-9	1-292230-9
0.89	28.5	29.5	27.6	25.5	18	6-292230-8	1-292230-8
0.84	27.0	28.0	26.1	24.0	17	6-292230-7	1-292230-7
0.80	25.5	26.5	24.6	22.5	16	6-292230-6	1-292230-6
0.75	24.0	25.0	23.1	21.0	15	6-292230-5	1-292230-5
0.71	22.5	23.5	21.6	19.5	14	6-292230-4	1-292230-4
0.66	21.0	22.0	20.1	18.0	13	6-292230-3	1-292230-3
0.62	19.5	20.5	18.6	16.5	12	6-292230-2	1-292230-2
0.57	18.0	19.0	17.1	15.0	11	6-292230-1	1-292230-1
0.52	16.5	17.5	15.6	13.5	10	6-292230-0	1-292230-0
0.48	15.0	16.0	14.1	12.0	9	5-292230-9	292230-9
0.43	13.5	14.5	12.6	10.5	8	5-292230-8	292230-8
0.39	12.0	13.0	11.1	9.0	7	5-292230-7	292230-7
0.34	10.5	11.5	9.6	7.5	6	5-292230-6	292230-6
0.30	9.0	10.0	8.1	6.0	5	5-292230-5	292230-5
0.25	7.5	8.5	6.6	4.5	4	5-292230-4	292230-4
0.20	6.0	7.0	5.1	3.0	3	5-292230-3	292230-3
0.17	4.5	5.5	3.6	1.5	2	-	-
WEIGHT (g)	D	C	B	A	Pos.	BLACK	BEIGE (NAT)
	DIMENSIONS					P/N	

THIS DRAWING IS UNPUBLISHED. ALL RIGHTS RESERVED.

COPYRIGHT BY

DIMENSIONS: mm	DWN	MATERIAL	FINISH
TOLERANCES UNLESS OTHERWISE SPECIFIED:	CHK	SEE SHEET 1	SEE SHEET 1
0 PLC ±	APVD	 TE Connectivity	
1 PLC ±	PRODUCT SPEC		
2 PLC ±	APPLICATION SPEC	NAME	
3 PLC ±		AMP MINI COMMON TERMINATED (CT) CONNECTOR 1.5 mm PITCH	
4 PLC ±		SINGLE ROW POST HDR ASS'Y (V) SMT TYPE WITH BOSS	
ANGLES ±	WEIGHT	SIZE	CAGE CODE
		A4	00779
		DRAWING NO	RESTRICTED TO
		C-292230	
CUSTOMER DRAWING	SCALE	SHEET	REV
	NON	4 OF 4	B1

Mouser Electronics

Authorized Distributor

Click to View Pricing, Inventory, Delivery & Lifecycle Information:

[TE Connectivity:](#)

[6-292230-9](#)