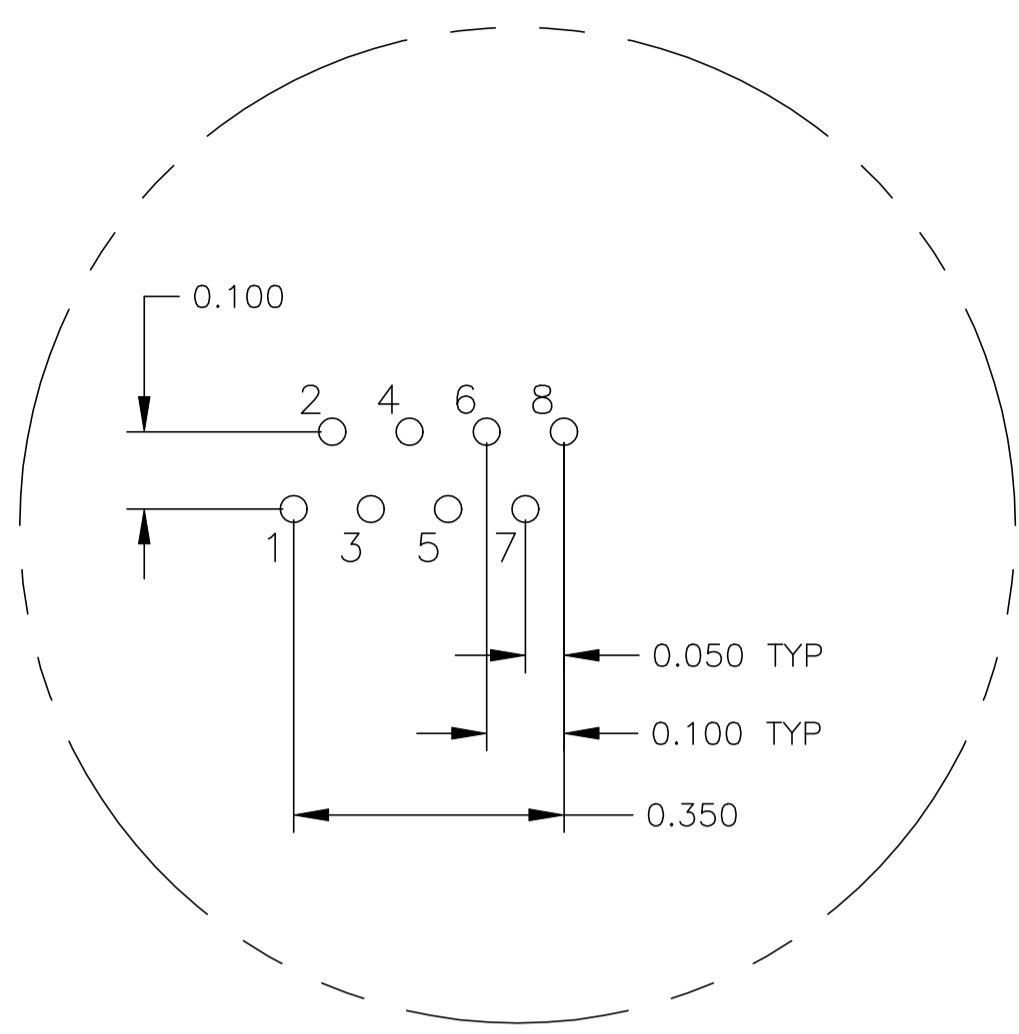
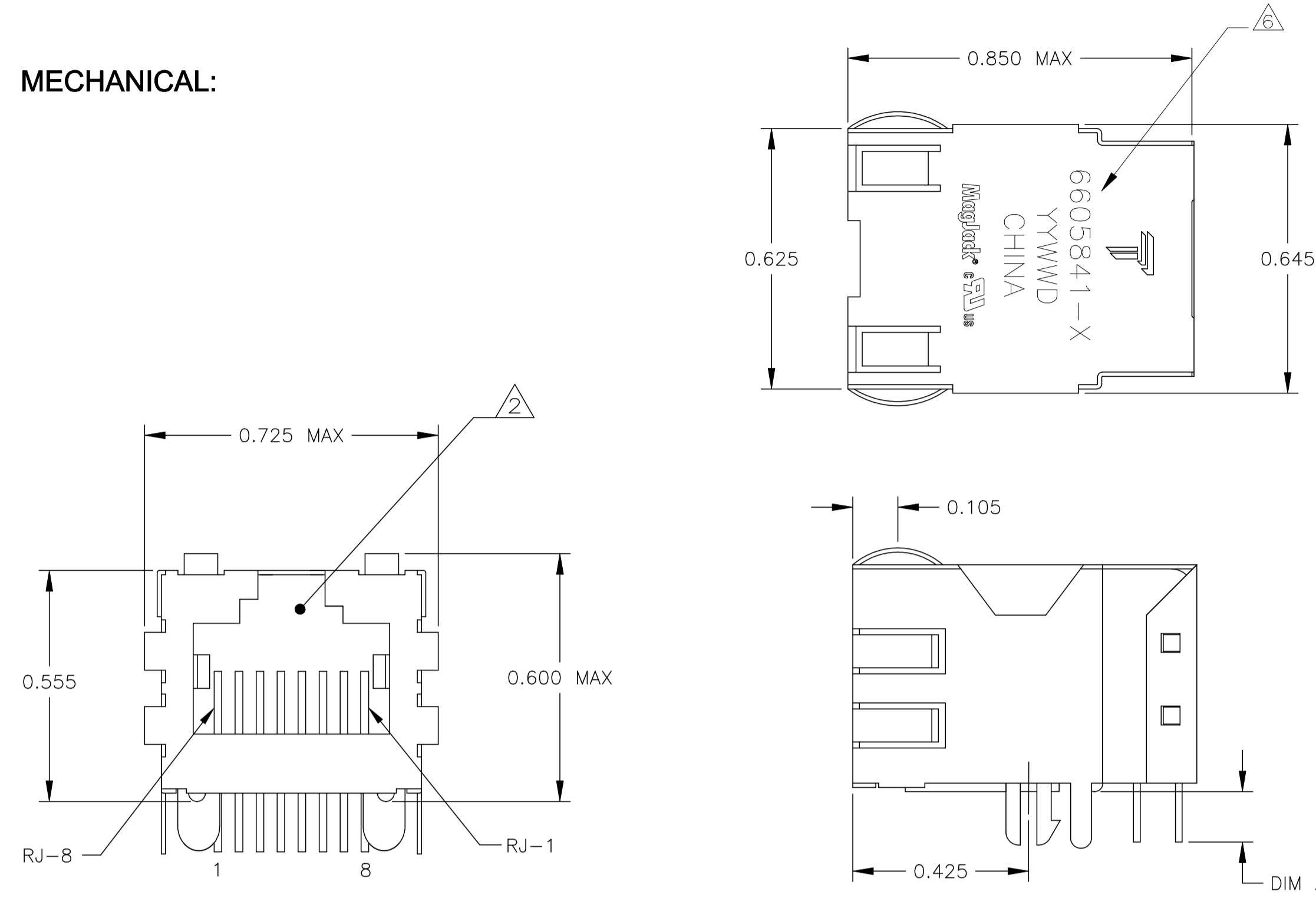


THIS DRAWING AND THE SUBJECT MATTER SHOWN THEREON ARE CONFIDENTIAL AND THE PROPERTY OF BEL/STEWART/TRP CONNECTOR AND SHALL NOT BE REPRODUCED, COPIED, OR USED IN ANY MANNER WITHOUT THE WRITTEN CONSENT OF TRP CONNECTOR.

PRODUCT MAY BE PROTECTED BY ONE OR MORE OF THE FOLLOWING US PATENTS:  
 5736910 5939955 6425781 6428361 6554638 6840817 7123117  
 7429195 7717749 7808751 6217391 6149050 7924130

REVISIONS				
P	LYR	DESCRIPTION	DATE	APVD
G		EC-1411035 COMPANY LOGO CHANGE	09JAN2015	HY KZ

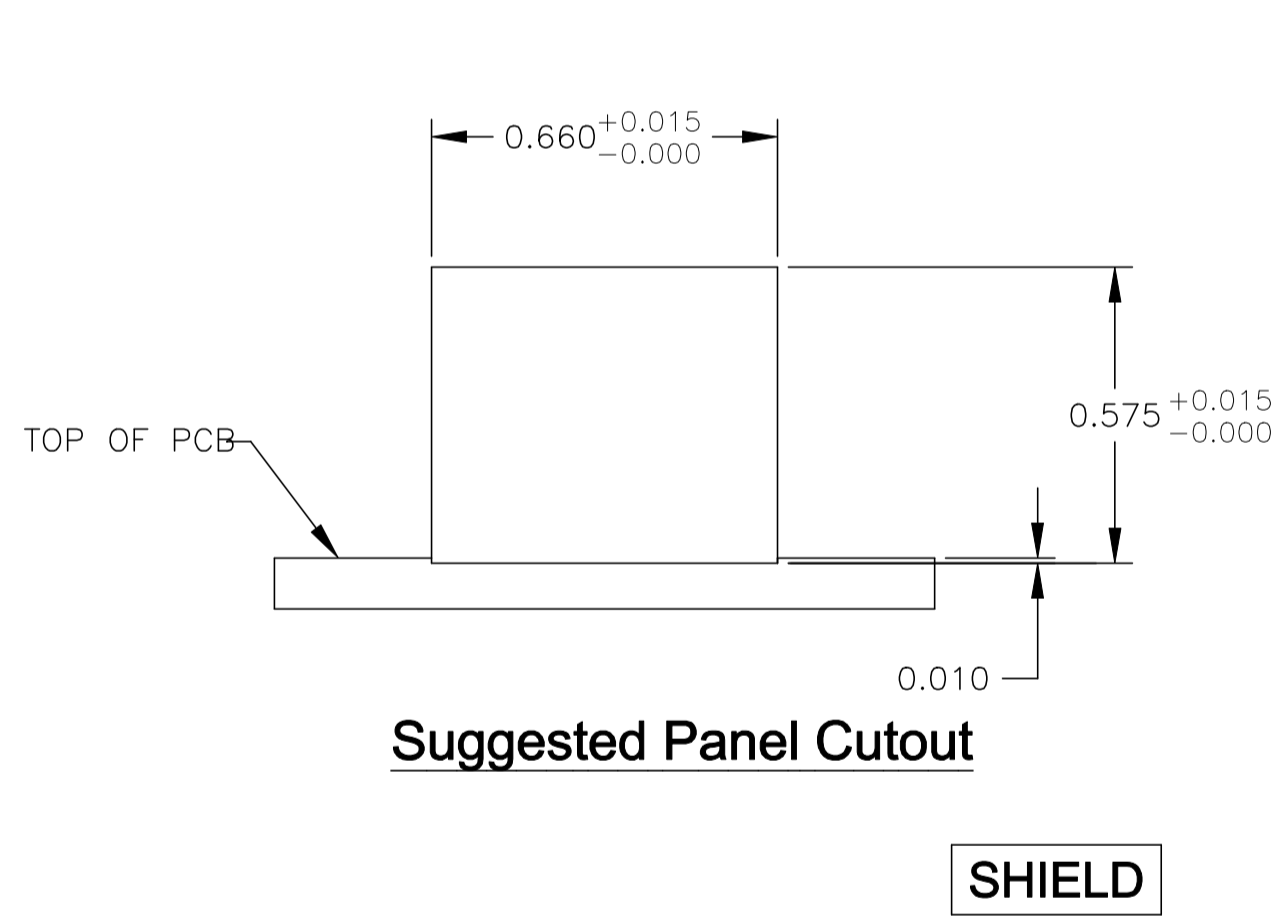
**MECHANICAL:**



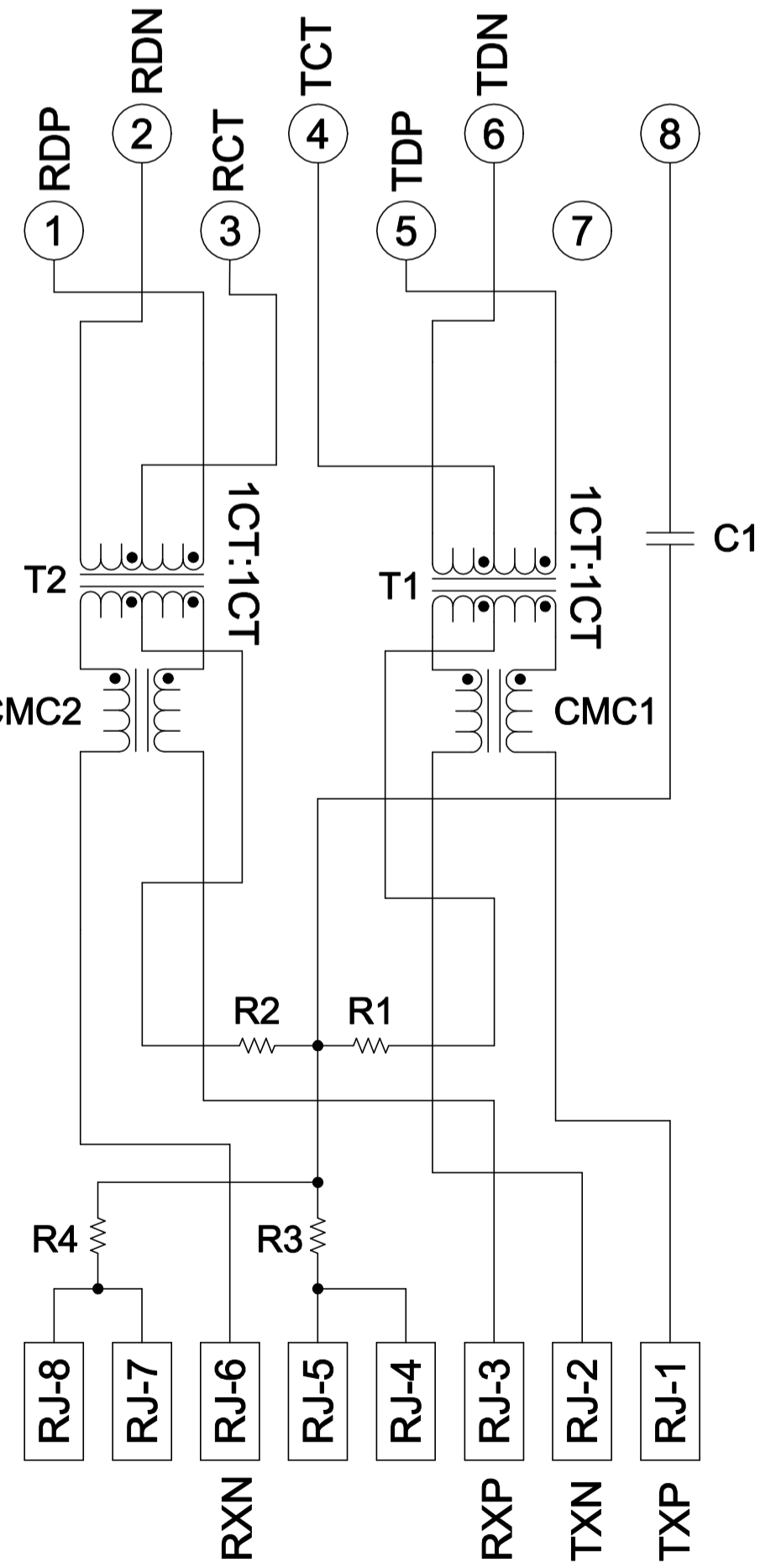
**Pin Designations**

- △ MATERIALS:
  - HOUSING - THERMOPLASTIC PET POLYESTER FLAMMABILITY RATING UL 94V-0.
  - SHIELD - 0.010" THICK, C26800 BRASS PREPLATED WITH 30µINCH MIN SEMI-BRIGHT NICKEL, SOLDER TABS POST DIPPED WITH 100µINCH MIN SAC SOLDER.
  - MOD JACK CONTACTS - 0.0157" x 0.018" PHOSPHOR BRONZE, 50µINCH MIN OVERALL NICKEL UNDERPLATE, WITH SELECT 50µINCH MIN HARD GOLD FINISH PLATE.
  - SOLDERTAILS WITH 100µINCH MIN MATTE TIN AND/OR SAC SOLDER DIP.
- △ RJ45 JACK CAVITY CONFORMS TO FCC RULES AND REGULATIONS PART 68, SUB PART F.
- △ MAGNETICS
  - IMPEDANCE: 100 OHMS
  - TURNS RATIO (CHIP: CABLE): TX = 1:1, RX = 1:1
  - OPEN CIRCUIT INDUCTANCE (OCL): 350µH MIN @100kHz, 0.1VRMS, 8mADC BIAS FROM -40°C TO +85°C, TX AND RX
  - PERFORMANCE @ 25°C:
    - INSERTION LOSS (IL): 1.1dB MAX FROM 0.5MHz TO 100MHz
    - RETURN LOSS (RL): 18dB MIN FROM 0.5MHz TO 30MHz
    - 18-20LOG(f/30)dB MIN FROM 30.1MHz TO 60MHz
    - 12dB MIN FROM 60.1MHz TO 80MHz
    - CROSSTALK ATTENUATION: 35dB MIN FROM 0.5MHz TO 40MHz
    - 33-20xLOG(f/50)dB MIN FROM 40.1MHz TO 100MHz
    - COMMON MODE REJECTION RATIO (CMRR): 30dB MIN FROM 0.5MHz TO 100MHz
    - ISOLATION VOLTAGE: 2250VDC (MAX) FOR 60 SECONDS WITH A RISE TIME OF 500V/SEC.
- 4. OPERATING TEMPERATURE: FROM -40° - +85°C
- △ INDICATED CONNECTIONS ARE FOR NIC CONFIGURATION. THE MAGNETICS ARE SYMMETRICAL, AND THEREFORE ARE AUTO-MDI/MDIX CAPABLE.
- △ TRP CONNECTOR, PART NUMBER, DATE CODE, COUNTRY OF ORIGIN AND AGENCY APPROVAL MARKING IN APPROXIMATE LOCATION SHOWN.
- 7. THE PART IS RECOMMENDED FOR WAVE SOLDERING PROCESS, PEAK WAVE SOLDERING TEMPERATURE IS 265°C MAX, 10 SECONDS MAX.

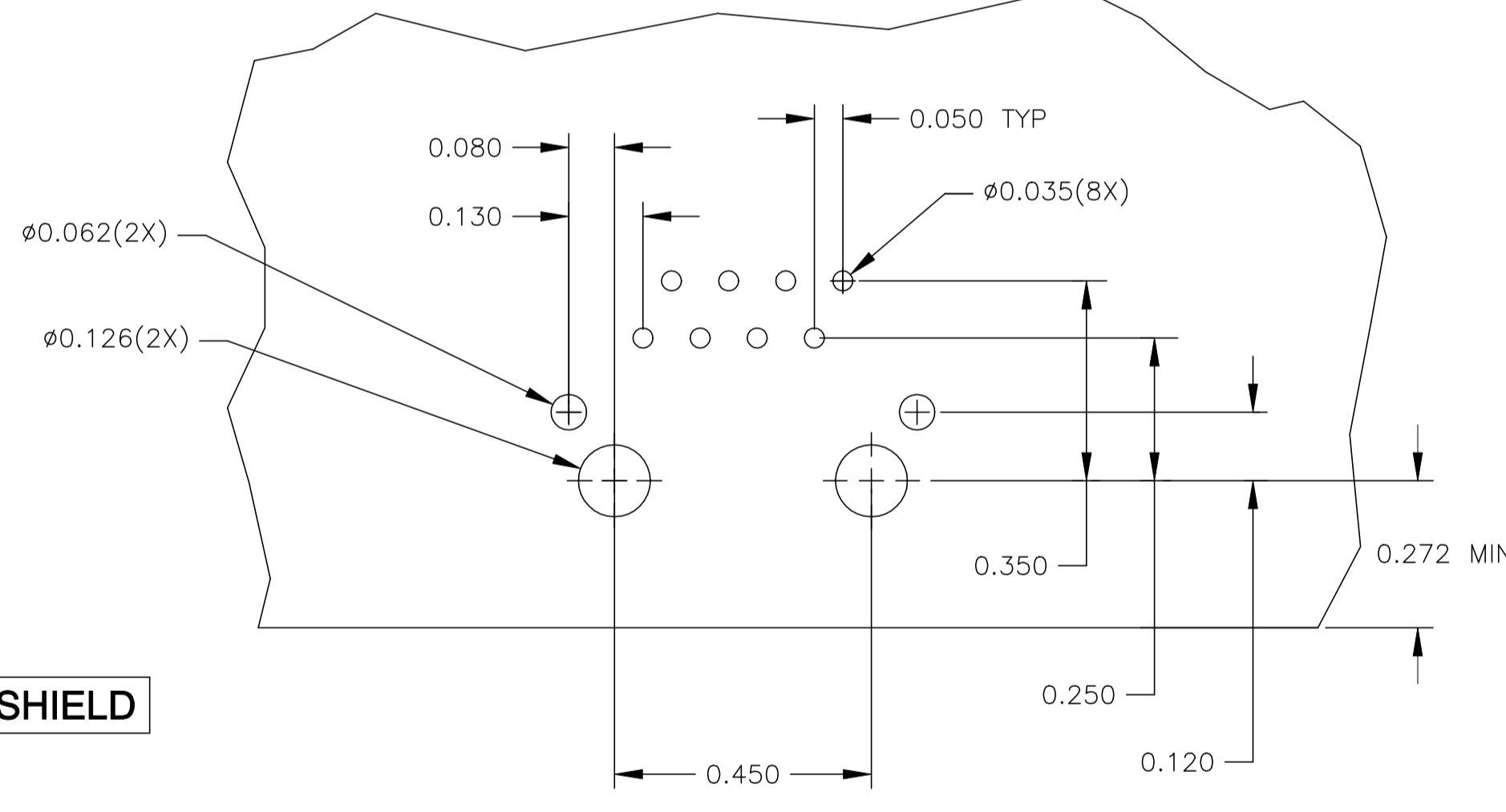
**726ET SERIES MAGNETIC CIRCUIT**



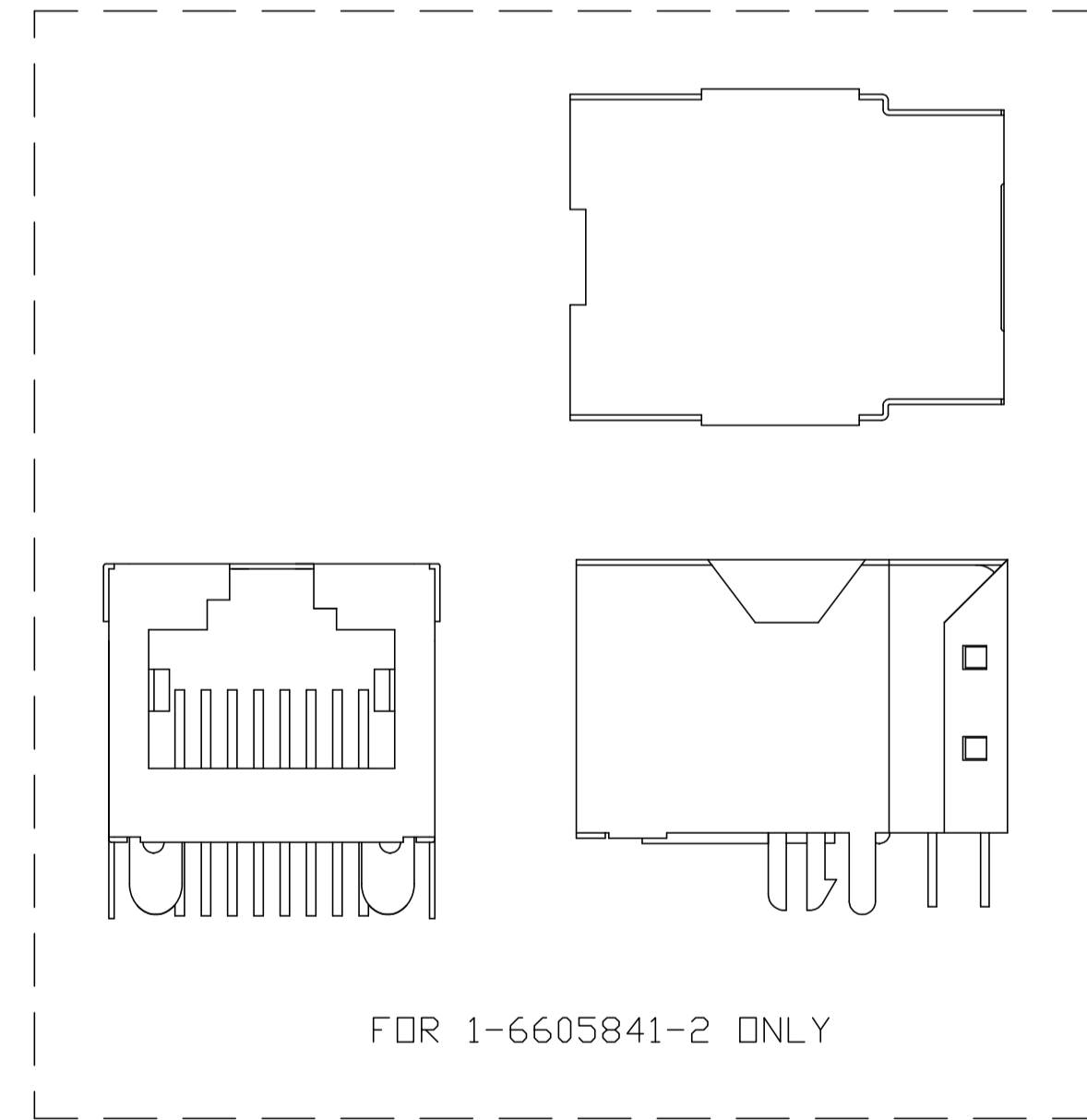
**Suggested Panel Cutout**



C1 = 1000 pF, 2kV CAPACITOR  
 R1-R4 = 75 OHMS, 1/16W RESISTORS



**Suggested PCB Layout (Component Side)**



EMITTER	NO	0.120±0.010	1-6605841-2
	YES	0.120±0.010	6605841-2
	YES	0.145±0.010	6605841-1
EMI FINGER		DIMENSION A	PART NUMBER

THIS DRAWING IS A CONTROLLED DOCUMENT.

DIMENSIONS: INCHES	TOLERANCES UNLESS OTHERWISE SPECIFIED:	0 PLC ± -	1 PLC ± -	2 PLC ± .010	3 PLC ± .005	4 PLC ± -	ANGLES ± -																		
PRODUCT SPEC 108-2100	APPLICATION SPEC -	<table border="1"> <tr> <td>APVD</td> <td>07MAR2005</td> <td>DWN</td> <td>L. VARELA - DOCK5</td> </tr> <tr> <td>CHK</td> <td>07MAR2005</td> <td>CHK</td> <td>D. FAROLE</td> </tr> <tr> <td>APVD</td> <td>07MAR2005</td> <td>CHK</td> <td>D. FAROLE</td> </tr> </table>						APVD	07MAR2005	DWN	L. VARELA - DOCK5	CHK	07MAR2005	CHK	D. FAROLE	APVD	07MAR2005	CHK	D. FAROLE						
APVD	07MAR2005	DWN	L. VARELA - DOCK5																						
CHK	07MAR2005	CHK	D. FAROLE																						
APVD	07MAR2005	CHK	D. FAROLE																						
<table border="1"> <tr> <td>MODEL NAME</td> <td>DESC</td> <td>SIZE</td> <td>CAGE CODE</td> <td>DRAWING NO</td> <td>RESTRICTED TO</td> </tr> <tr> <td>MAGJACK SINGLE</td> <td>1X1 726ET 10/100 TAB UP W/O LED</td> <td>A1</td> <td></td> <td>C=6605841</td> <td></td> </tr> </table>		MODEL NAME	DESC	SIZE	CAGE CODE	DRAWING NO	RESTRICTED TO	MAGJACK SINGLE	1X1 726ET 10/100 TAB UP W/O LED	A1		C=6605841		<table border="1"> <tr> <td>CUSTOMER DRAWING</td> <td>SCALE</td> <td>SHEET</td> <td>OF</td> <td>REV</td> </tr> <tr> <td></td> <td>NTS</td> <td>1</td> <td>1</td> <td>G</td> </tr> </table>		CUSTOMER DRAWING	SCALE	SHEET	OF	REV		NTS	1	1	G
MODEL NAME	DESC	SIZE	CAGE CODE	DRAWING NO	RESTRICTED TO																				
MAGJACK SINGLE	1X1 726ET 10/100 TAB UP W/O LED	A1		C=6605841																					
CUSTOMER DRAWING	SCALE	SHEET	OF	REV																					
	NTS	1	1	G																					

trp CONNECTOR DONGGUAN CHINA

# Mouser Electronics

Authorized Distributor

Click to View Pricing, Inventory, Delivery & Lifecycle Information:

Bel:

[6605841-1](#)