

SILICON RECTIFIER

VOLTAGE RANGE 50 to 1000 Volts CURRENT 1.5 Amperes

FEATURES

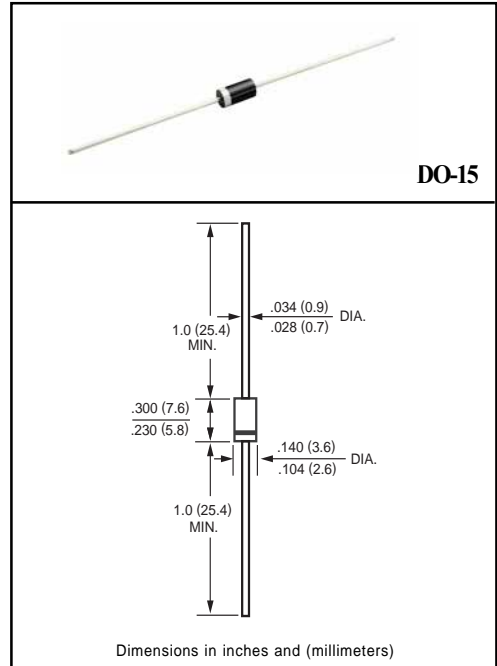
- * Low cost
- * Low leakage
- * Low forward voltage drop
- * High current capability

MECHANICAL DATA

- * Case: Molded plastic
- * Epoxy: Device has UL flammability classification 94V-0
- * Lead: MIL-STD-202E method 208C guaranteed
- * Mounting position: Any
- * Weight: 0.38 gram

MAXIMUM RATINGS AND ELECTRICAL CHARACTERISTICS

Ratings at 25 °C ambient temperature unless otherwise specified.
Single phase, half wave, 60 Hz, resistive or inductive load.
For capacitive load, derate current by 20%.



MAXIMUM RATINGS (At TA = 25°C unless otherwise noted)

RATINGS	SYMBOL	1N5391	1N5392	1N5393	1N5394	1N5395	1N5396	1N5397	1N5398	1N5399	UNITS
Maximum Recurrent Peak Reverse Voltage	VRRM	50	100	200	300	400	500	600	800	1000	Volts
Maximum RMS Voltage	VRMS	35	70	140	210	280	350	420	560	700	Volts
Maximum DC Blocking Voltage	Vdc	50	100	200	300	400	500	600	800	1000	Volts
Maximum Average Forward Rectified Current .375" (9.5mm) lead length at TL = 70°C	Io	1.5									Amps
Peak Forward Surge Current 8.3 ms single half sine-wave superimposed on rated load (JEDEC method)	IFSM	50									Amps
Typical Junction Capacitance (Note)	CJ	20									pF
Typical Thermal Resistance	R θJA	50									°C/W
Operating and Storage Temperature Range	TJ, TSTG	-55 to + 150									°C

ELECTRICAL CHARACTERISTICS (At TA = 25°C unless otherwise noted)

CHARACTERISTICS	SYMBOL	1N5391	1N5392	1N5393	1N5394	1N5395	1N5396	1N5397	1N5398	1N5399	UNITS	
Maximum Instantaneous Forward Voltage at 1.5A DC	VF	1.4										Volts
Maximum DC Reverse Current at Rated DC Blocking Voltage	@ TA = 25°C	5.0										uAmps
	@ TA = 100°C	50										
Maximum Full Load Reverse Current Average, Full Cycle .375" (9.5mm) lead length at TL = 75°C	IR	30										uAmps

NOTES : Measured at 1 MHz and applied reverse voltage of 4.0 volts

RATING AND CHARACTERISTIC CURVES (1N5391 THRU 1N5399)

FIG. 1 - TYPICAL FORWARD CURRENT DERATING CURVE

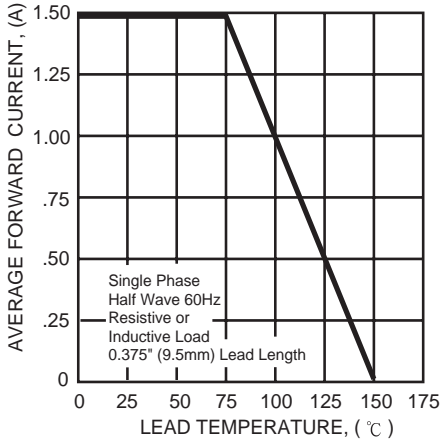


FIG. 2 - TYPICAL INSTANTANEOUS FORWARD CHARACTERISTICS

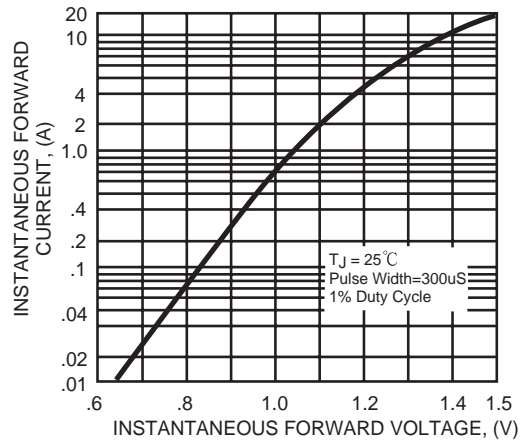


FIG. 3 - MAXIMUM NON-REPETITIVE FORWARD SURGE CURRENT

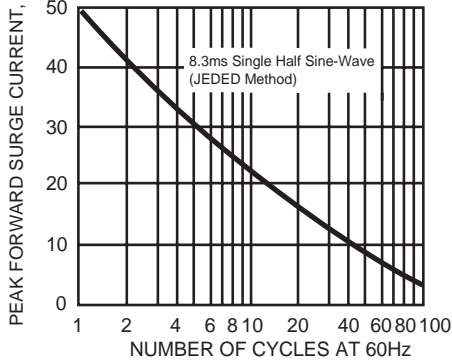


FIG. 4 - TYPICAL JUNCTION CAPACITANCE

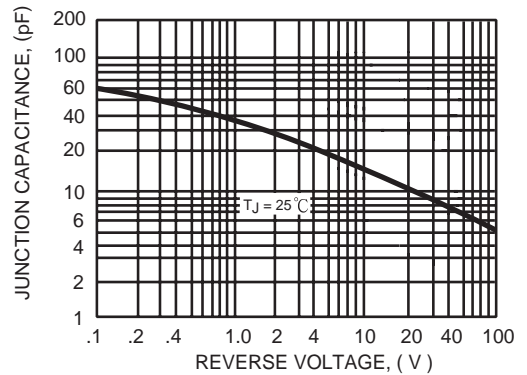
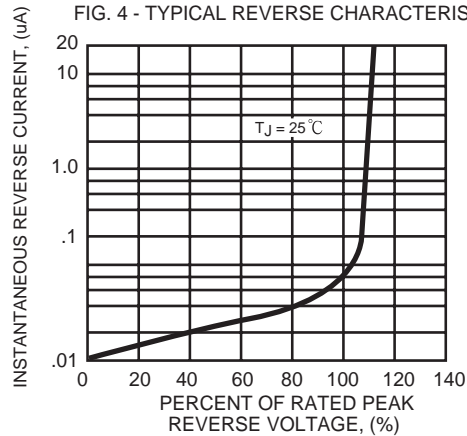


FIG. 4 - TYPICAL REVERSE CHARACTERISTICS



Mouser Electronics

Authorized Distributor

Click to View Pricing, Inventory, Delivery & Lifecycle Information:

Rectron:

[1N5391-B](#) [1N5393-B](#) [1N5394-B](#) [1N5395-B](#) [1N5397-B](#) [1N5398-B](#) [1N5399-B](#) [1N5395G-T](#) [1N5395G-B](#) [1N5397-T](#)
[1N5394G-T](#) [1N5394G-B](#) [1N5396G-B](#) [1N5396G-T](#) [1N5397G-T](#) [1N5397G-B](#) [1N5395-T](#) [1N5393-T](#) [1N5392G-T](#)
[1N5392G-B](#) [1N5393G-T](#) [1N5393G-B](#) [1N5398G-B](#) [1N5398G-T](#) [1N5399G-T](#) [1N5399G-B](#) [1N5394-T](#) [1N5398-T](#)
[1N5396-T](#) [1N5396-B](#) [1N5392-B](#) [1N5392-T](#) [1N5391G-B](#) [1N5391G-T](#) [1N5399-T](#) [1N5391-T](#) [1N5391G](#) [1N5392G](#)
[1N5393G](#) [1N5394G](#) [1N5395G](#) [1N5396G](#) [1N5397G](#) [1N5398G](#) [1N5399G](#)