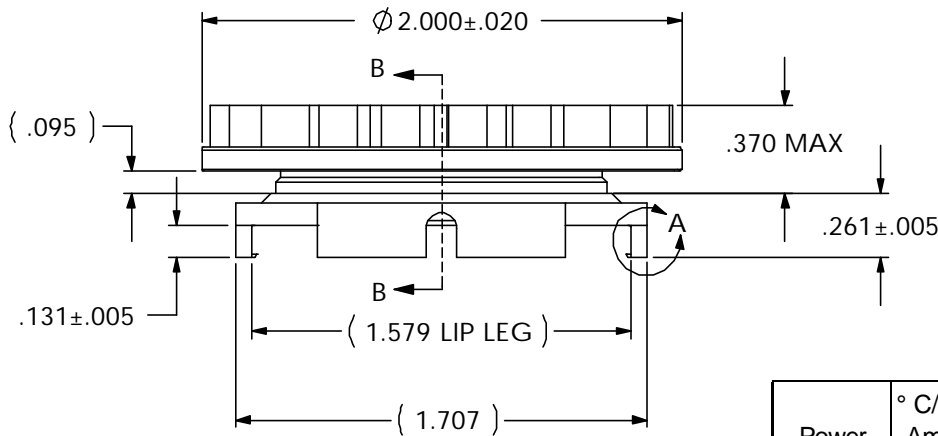
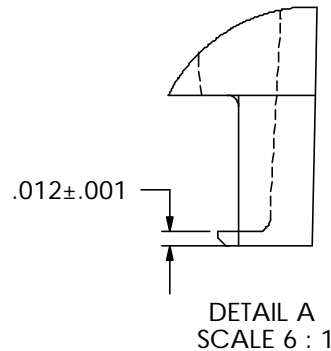
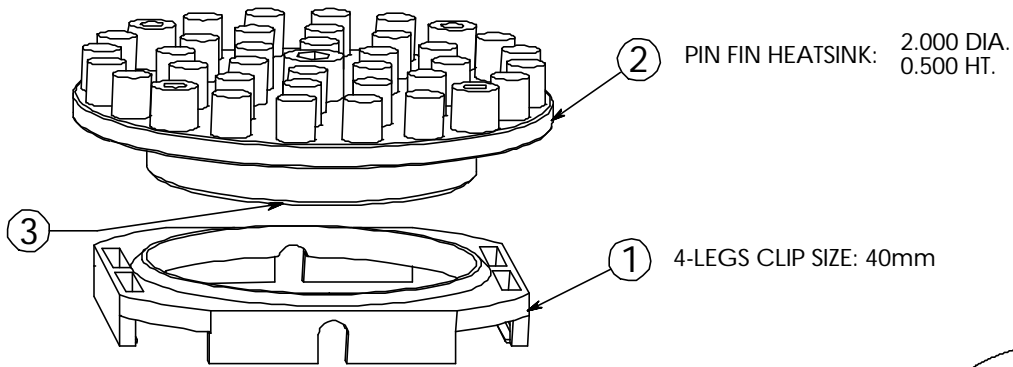
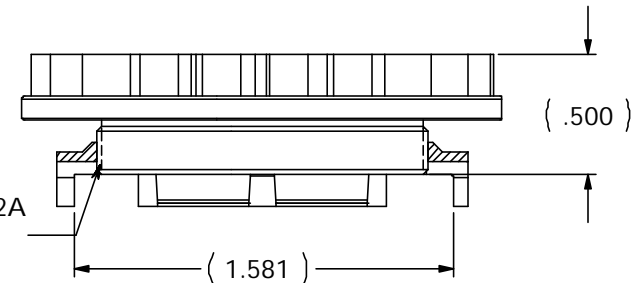


REVISION(S)			
LTR	DESCRIPTION	INIT	APP'D
A	ECR-06-001164	E.T 1/17/06	C.W 1/20/06



Ø 1 3/8" - 27 UNF -2A  
THREAD



SECTION B-B

NOTE:

1. MATERIAL:

HEAT SINK: ALUM. (BLACK ANODIZE)  
CLIP: BLACK PEI (UL94-VO)

2. BEFORE THE HEATSINK APPLICATION, THE USER SHOULD IDENTIFY THE SPECIFICATION OF MAXIMUM LOAD ON THE BGA PACKAGE.

HEATSINK TORQUE SPECIFICATIONS CONVERTED TO FORCE.

BARE DIE PACKAGE:

2.5 INCH - LB TORQUE = 7.8 LBS FORCE  
3.0 INCH - LB TORQUE = 9.4 LBS FORCE

FULL SIZE LID PACKAGE:

2.5 INCH - LB TORQUE = 6.3 LBS FORCE  
3.0 INCH - LB TORQUE = 7.6 LBS FORCE

3. REMOVE CLIP WITH REMOVAL TOOL P/N: 1542616-1.

4. RoHS COMPLIANT AND CERTIFIED.

Power	° C/W @ Ambient	° C/W @ 200 LFM	° C/W @ 400 LFM	° C/W @ 600 LFM
5 Watts	8.64	4.45	2.80	2.00
10 Watts	7.86	4.49	2.89	2.38
15 Watts	7.38	4.57	2.95	2.42

CUSTOMER DRAWING	
SPECIFICATIONS ARE SUBJECT TO CHANGE WITHOUT NOTICE	

ITEM	DESCRIPTION	QTY
1	MOUNTING CLIP	1
2	HEAT SINK	1
3	INTERFACE	1

DO NOT SCALE	<b>tyco</b> / Electronics			Attleboro Falls Massachusetts 02763		
	UNLESS OTHERWISE SPECIFIED TOLERANCES ARE:			DRAWN BY:	DATE	MATERIAL:
	.XX ± .			E.TAO	1/17/06	SEE NOTE
	.XXX ± .			ENGINEER:	DATE	FINISH:
	.XXXX ± .			CS. WANG	1/20/06	SEE NOTE
ANGLES ± °			FILENAME	PROJECT	SYSTEM	

CONFIDENTIAL PROPERTY OF TYCO ELECTRONICS. NOT TO BE DISCLOSED TO OTHERS. REPRODUCED OR USED FOR ANY PURPOSES EXCEPT AS AUTHORIZED IN WRITING BY AN AUTHORIZED OFFICIAL OF TYCO. MUST BE RETURNED TO TYCO ON DEMAND, ON COMPLETION OF ORDERS OR OTHER PURPOSES FOR WHICH LENT.		TITLE: <b>40mm HEATSINK ASSEMBLY (HTS353NF-U)</b>	
DIMENSIONS ARE IN: INCHES	SCALE: 1.25:1	PART NO.:	SHEET: 1 OF 1
SIZE: A	DWG. NO.:	REV.:	
	C-9-1542001-7	A	

# Mouser Electronics

Authorized Distributor

Click to View Pricing, Inventory, Delivery & Lifecycle Information:

[TE Connectivity:](#)

[9-1542001-7](#)