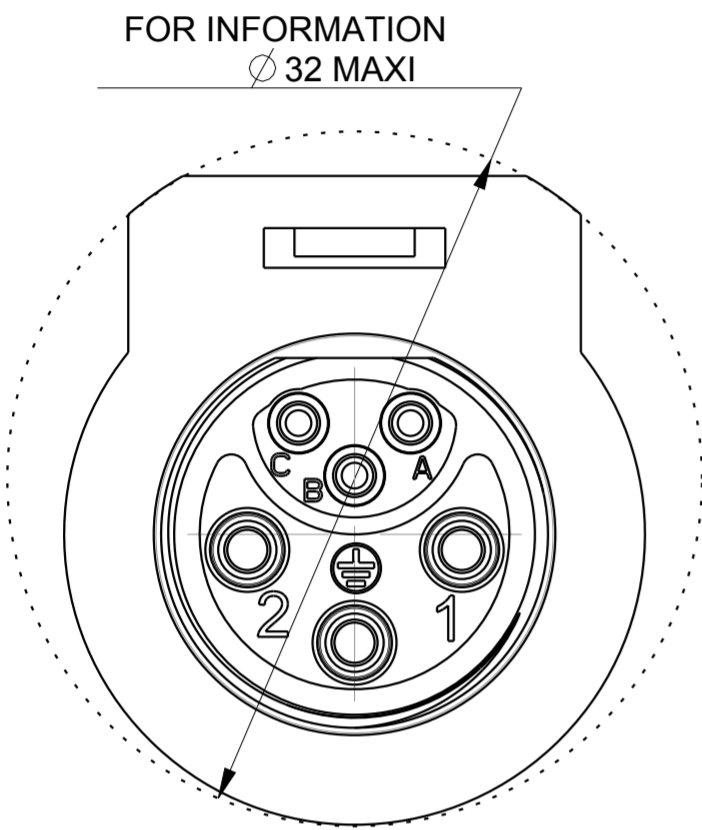
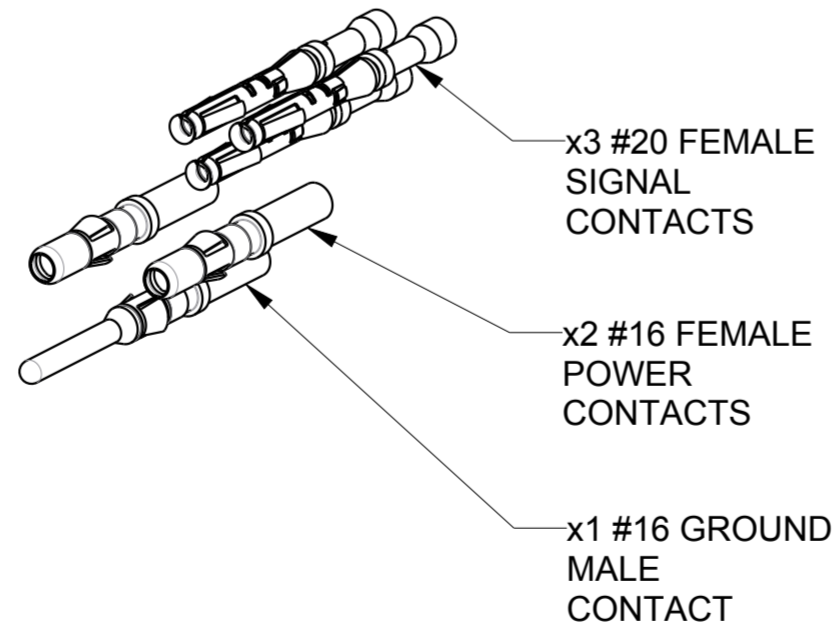
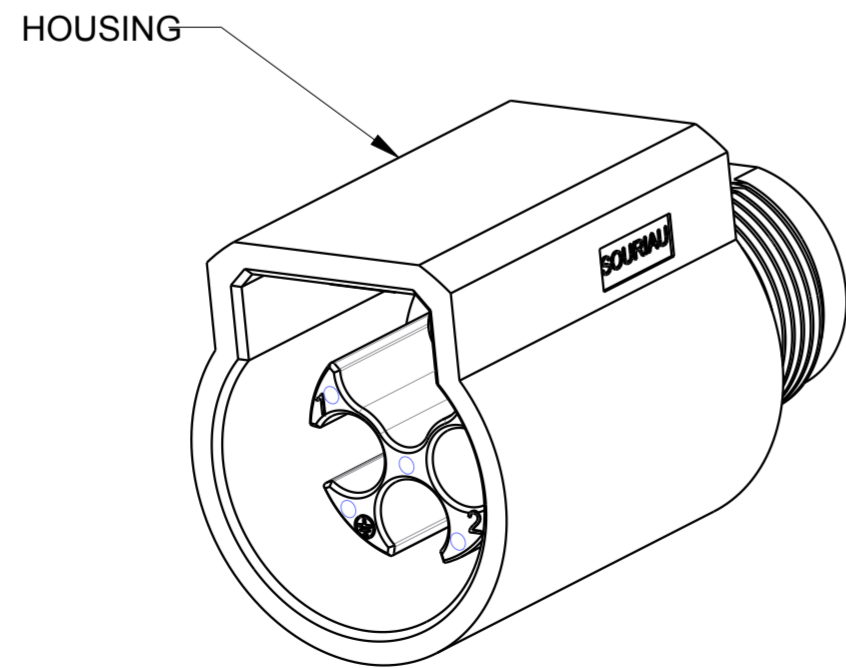
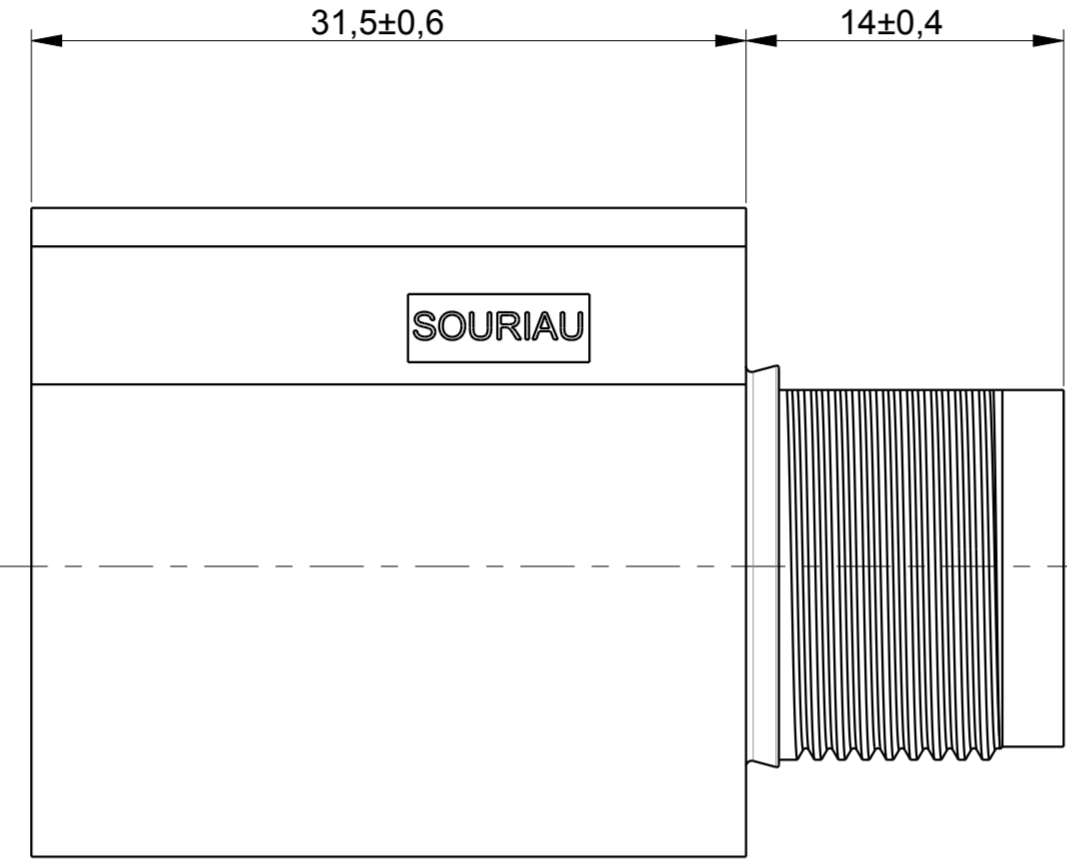
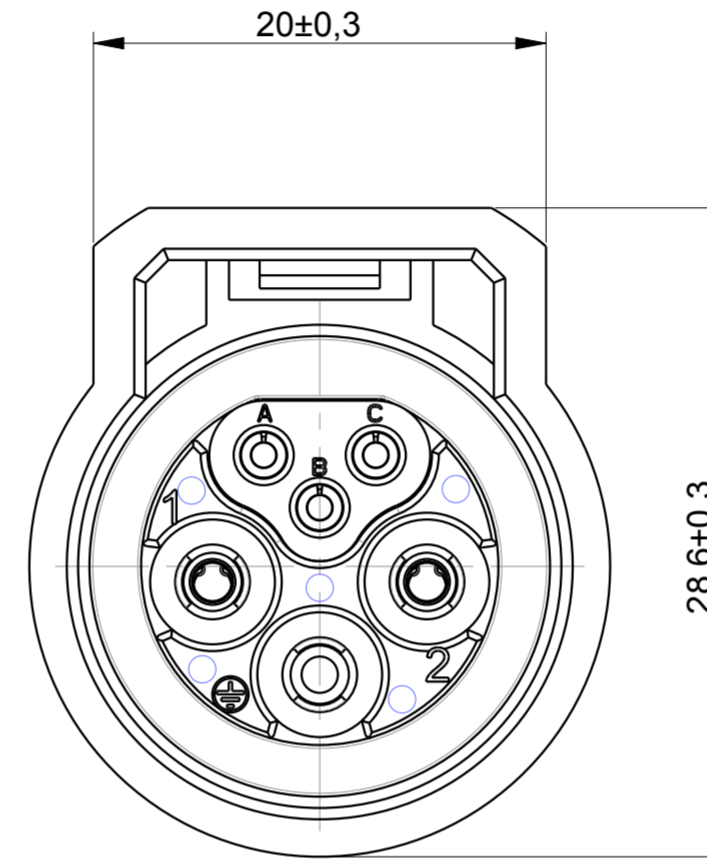


WIRING FACE



MATING FACE



NOTES

MATERIALS	SEE TABLE	
HOUSING		
PERFORMANCES CHARACTERISTICS		
MECHANICAL		
TEMPERATURE CLASS	IEC61984/UL1977	-40°C TO 105°C
DURABILITY	IEC61984	500 MATE / UNMATE CYCLES
SEALING IN MATED CONDITIONS	IEC60529	IP68 1BAR DURING 1WEEK
	DIN40050	IP69K
SEALING IN UNMATED CONDITIONS	IEC60529	IP67 WITH CAPS
POLLUTION DEGREE	IEC61984	4
CORROSION SALT SPRAY		MIN 1000H
FLAMMABILITY	UL94	MATERIAL RATING: 5VA
OUTDOOR SUITABILITY (UV RESIST)	UL746C	MATERIAL RATING: (f1)
SCOOP PROOF		
ELECTRICAL		
TOUCH PROOF	IEC60529	IP2X
POWER AND GROUND LINES:		
NOMINAL CURRENT	UL1977	16A WITH AWG14 WIRE / 13A WITH AWG16 WIRE
NOMINAL CURRENT	IEC61984	16A WITH 2.5MM² WIRE / 13A WITH 1.5MM² WIRE AT 60°C
NOMINAL VOLTAGE	UL1977	600V
NOMINAL VOLTAGE	IEC61984	250VAC 4KV 4 FOR CLASS II
	IEC61984	500VAC 6KV 4 FOR CLASS I
SIGNAL Contac (a,b,c) LINES:		
NOMINAL VOLTAGE	IEC61984	48V AC
NOMINAL CURRENT	IEC61984	5A
ROHS COMPLIANT		
1. COUNTERPART REFERENCE UTL PLUG 2. CONNECTORS ARE DELIVERED AS PRE-ASSEMBLED KIT 3. CONNECTOR BLOCKS ACCEPTS TRIM TRIO CONTACTS #16 AND #20, R*M* OR S*M* TYPES 4. CONTACTS TO BE ORDERED SEPARATELY. 5. WARNING: PHASE CONTACTS AND SIGNAL CONTACT ARE FEMALE VERSION AND GROUND CONTACT IS MALE VERSION 6. UNIT IN MM		

P/N	HOUSING' S MATERIAL
UTL1102G1W3S	PA GF REINFORCED BLACK COLOR
UTL1102G1W3S03	PA GF REINFORCED LIGHT GREY COLOR

P/N : SEE TABLE

C	06/03/2015	—	Clearances dimensions modification	23869
ISS	DATE	Latest modification - by:	COUTY L.	MOD N°
Designed by:		RAGAINÉ M.	Date:18/07/2013	CUSTOMER DRAWING
TITLE		FEMALE FREE HANGING LAYOUT 6 CONTACTS SIZE 10		
Scale		UTL CONNECTOR		
1/1	General linear Tolerances: ± 0,2	NPRDS / PROJECT UTL		
SOURIAU		WWW.SOURIAU.COM		This document is the property of SOURIAU It must not be reproduced or communicated without permission
FORMAT	SOURIAU DRG N°			SHEET
A2	UTL1-0052A-C01			1/1

Mouser Electronics

Authorized Distributor

Click to View Pricing, Inventory, Delivery & Lifecycle Information:

[Souriau:](#)

[UTL1102G1W3S](#)