

# HCMOS/TTL COMPATIBLE SURFACE-MOUNT PROGRAMMABLE CRYSTAL CLOCK OSCILLATOR



7.0 x 5.0 x 1.6mm

**AP7S**



**RoHS**  
Compliant

## FEATURES:

- Comparable performance to fixed frequency oscillator
- Low jitter with PLL technology

## APPLICATIONS:

- Micro controller
- FPGA
- CPLG
- Prototype evaluation
- Portable computers (Laptop, tablet PC)

For Small Quantities, Delivery Time is 1-5 days

## ELECTRICAL SPECIFICATIONS:

Parameters	Minimum	Typical	Maximum	Units	Notes	
Frequency Range:	V <sub>dd</sub> = 3.3V	10	-----	200	MHz	
	V <sub>dd</sub> = 2.5V	10	-----	166	MHz	
Operating Temperature:	0	-----	+70	°C	See options	
Storage Temperature:	-55	-----	+155	°C		
Overall Frequency Stability*:	-100	-----	+100	ppm	See options	
Supply Voltage (V <sub>dd</sub> ):	V <sub>dd</sub> = 3.3V	2.97	3.3	3.63	V	Standard
	V <sub>dd</sub> = 2.5V	2.25	2.5	2.75	V	Option 1
Input Current:	V <sub>dd</sub> = 3.3V	-----	-----	30	mA	
	V <sub>dd</sub> = 2.5V	-----	-----	20	mA	
Symmetry:	45	50	55	%	@ 1/2V <sub>dd</sub>	
Rise and Fall Time (Tr/Tf)**:	-----	2.5	3.5	ns		
Output Load:			15	pF	CMOS	
Output Voltage:	VOH	V <sub>dd</sub> -0.4	-----	-----	V	
	VOL	-----	-----	0.4	V	
Start-up Time:	-----	-----	10.0	ms		
Enable/Disable Function :	"1" (V <sub>IH</sub> ≥ 0.7*V <sub>dd</sub> ) or Open: Oscillation "0" (V <sub>IL</sub> < 0.3*V <sub>dd</sub> ) : No output					
Period jitter RMS (Reference only. Please contact Abracon for each frequencies.):	25MHz	-----	2.0	4.0	ps	
	50MHz	-----	5.0	10.0	ps	
	100MHz	-----	7.0	14.0	ps	
Period jitter Peak to Peak (Reference only. Please contact Abracon for each frequencies.):	25MHz	-----	14.0	25.0	ps	
	50MHz	-----	25.0	35.0	ps	
	100MHz	-----	35.0	50.0	ps	
Phase jitter RMS	20MHz	-----	0.6	1.0	ps	12kHz to 10MHz
	25MHz	-----	5.6	7.0	ps	12kHz to 10MHz
	50MHz	-----	16.0 ~ 25.0	40.0	ps	12kHz to 20MHz
	100MHz	-----	18.0	25.0	ps	12kHz to 20MHz
Aging:	-3.0	-----	+3.0	ppm	First year	

\* Inclusive of calibration @25°C, operating temperature range, input voltage variation, load variation, aging, shock, and vibration.

\*\* Transition times are measured between 10% and 90% of V<sub>dd</sub> with an output load of 15 pF.

ABRACON IS  
ISO 9001:2008  
CERTIFIED



**ABRACON**  
CORPORATION

Visit [www.abracon.com](http://www.abracon.com) for Terms & Conditions of Sale  
30332 Esperanza, Rancho Santa Margarita, California 92688  
tel 949-546-8000 | fax 949-546-8001 | [www.abracon.com](http://www.abracon.com)

Revised: 07.03.11

# HCMOS/TTL COMPATIBLE SURFACE-MOUNT PROGRAMMABLE CRYSTAL CLOCK OSCILLATOR



7.0 x 5.0 x 1.6mm

**AP7S**



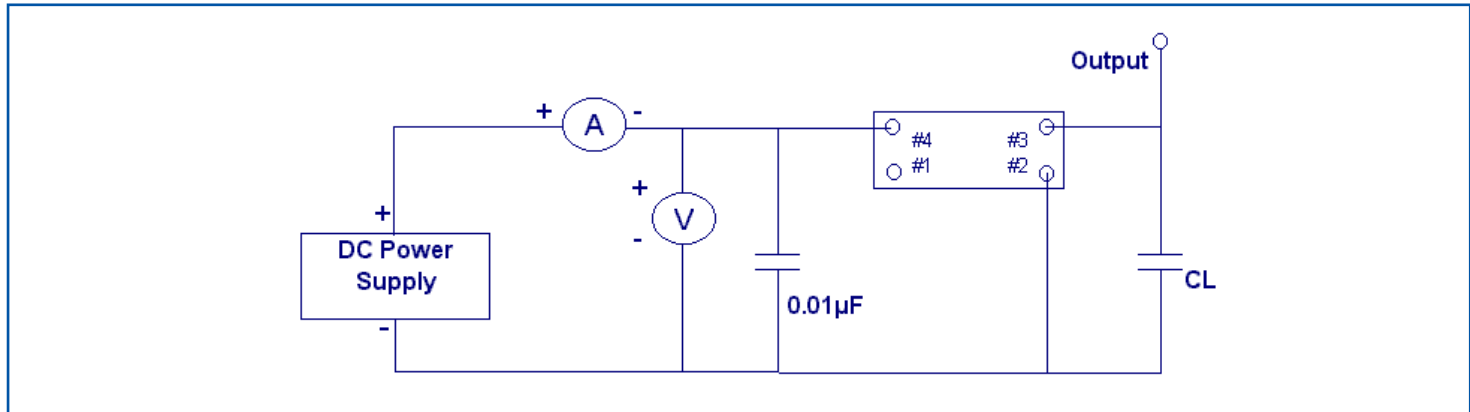
## OPTIONS & PART IDENTIFICATION:

AP7S  -  MHz -   -

<b>Supply Voltage</b>	<b>Frequency in MHz</b>	<b>Operating Temp.</b>	<b>Overall Freq. Stability</b>	<b>Packaging</b>
Blank: 3.3V I: 2.5V	Please specify the frequency in MHz. e.g. 14.31818MHz	I: 0°C ~ +50°C D: -10°C ~ +60°C E: -20°C ~ +70°C F: -30°C ~ +70°C N: -30°C ~ +85°C L: -40°C ~ +85°C	J(**): ±20ppm R: ±25ppm K: ±30ppm C: ±50ppm	Blank: Bulk T: Tape & Reel

\* Temp. option I, D, E and 0°C ~ +70°C only  
Contact ABRACON for EJ or LR options. (Availability limited)

## TEST CIRCUIT:



## OUTLINE DRAWING:

Bottom view

Recommended land pattern

Note: Recommend using an approximately 0.01µF bypass capacitor between PIN 2 and 4.

Dimension: inch (mm)

Pin	Function
1	Tri-State
2	GND/Case
3	Output
4	Vdd

ABRACON IS  
ISO 9001:2008  
CERTIFIED



Visit [www.abracon.com](http://www.abracon.com) for Terms & Conditions of Sale **Revised: 07.03.11**  
30332 Esperanza, Rancho Santa Margarita, California 92688  
tel 949-546-8000 | fax 949-546-8001 | [www.abracon.com](http://www.abracon.com)

# HCMOS/TTL COMPATIBLE SURFACE-MOUNT PROGRAMMABLE CRYSTAL CLOCK OSCILLATOR

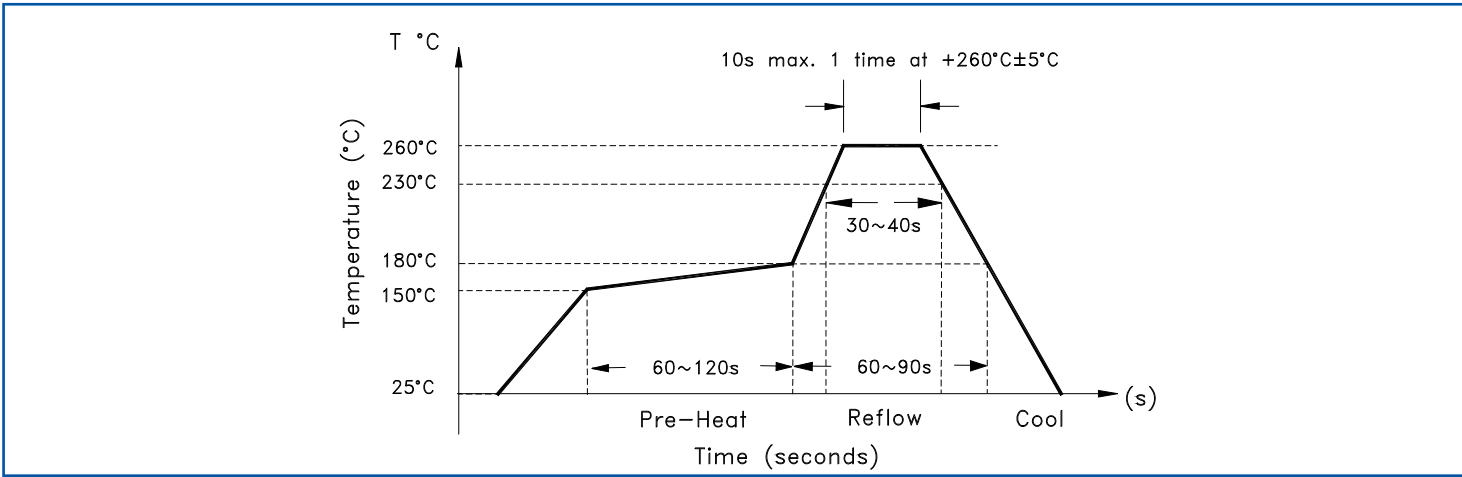


7.0 x 5.0 x 1.6mm

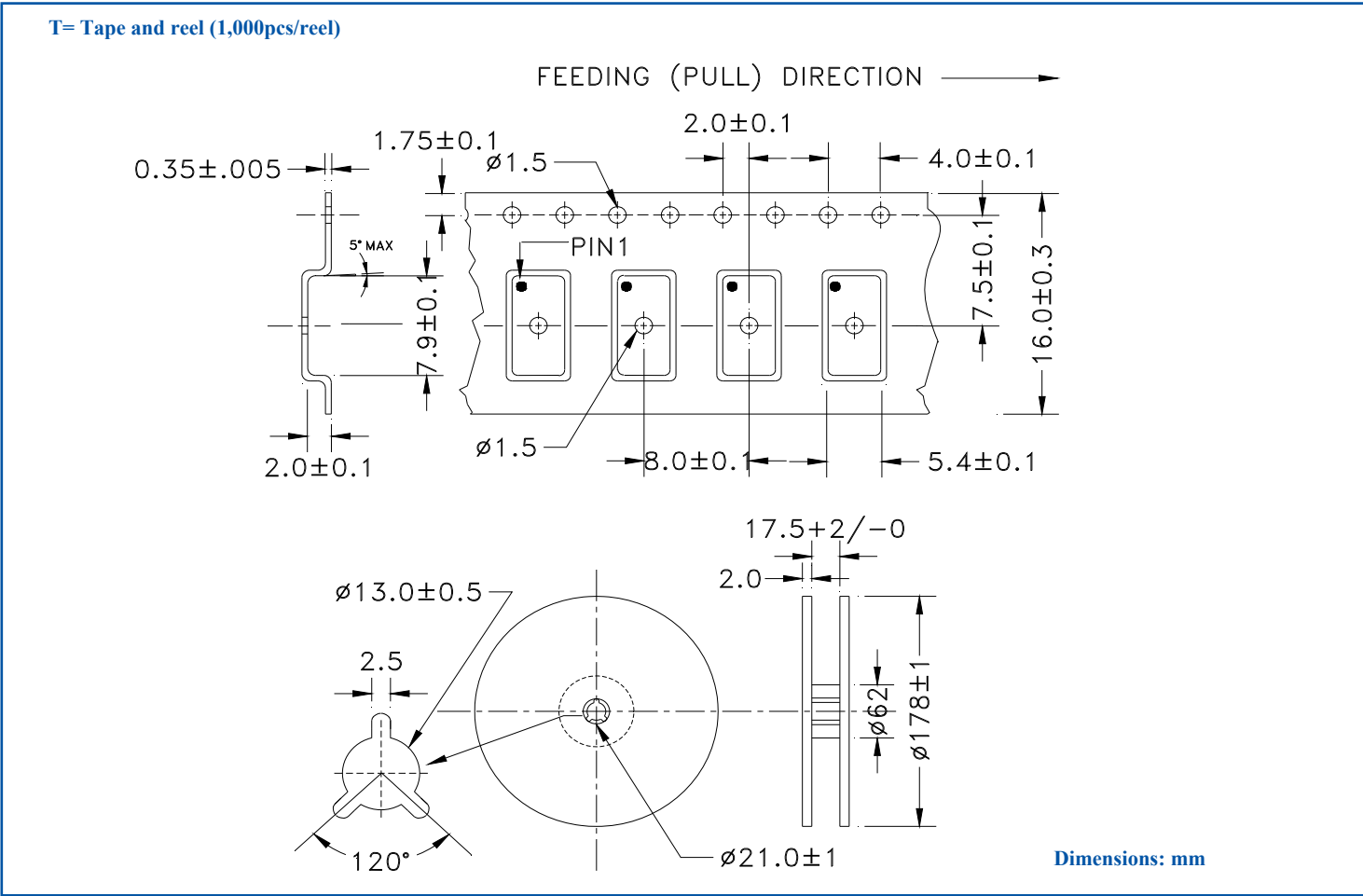
**AP7S**

**Pb** **RoHS Compliant**

## REFLOW PROFILE:



## TAPE & REEL:



Need a test socket for the AP7S Series? To view compatible **PRECISION TEST SOCKETS** for these parts, click here. P/N AXS-7050-04-01

**ATTENTION:** Abracon Corporation's products are COTS – Commercial-Off-The-Shelf products; suitable for Commercial, Industrial and, where designated, Automotive Applications. Abracon's products are not specifically designed for Military, Aviation, Aerospace, Life-dependant Medical applications or any application requiring high reliability where component failure could result in loss of life and/or property. For applications requiring high reliability and/or presenting an extreme operating environment, written consent and authorization from Abracon Corporation is required. Please contact Abracon Corporation for more information.

ABRACON IS  
ISO 9001:2008  
CERTIFIED



Visit [www.abracon.com](http://www.abracon.com) for Terms & Conditions of Sale **Revised: 07.03.11**  
30332 Esperanza, Rancho Santa Margarita, California 92688  
tel 949-546-8000 | fax 949-546-8001 | [www.abracon.com](http://www.abracon.com)

# Mouser Electronics

Authorized Distributor

Click to View Pricing, Inventory, Delivery & Lifecycle Information:

## ABRACON:

[AP7S-10.000-I-R](#) [AP7S-44.736-I-R](#) [AP7S-54.000MHZ-D-C](#) [AP7S-27.12-D-J](#) [AP7S1-25.000-NK](#) [AP7S-54.24000-FR](#)  
[AP7S-108.00-I-R](#) [AP7S-72.374MHz-LR](#) [AP7S-148.5000-EJ](#) [AP7S2-FREQ-EC-B](#) [AP7S-FREQ-LR-B](#) [AP7S2-FREQ-EJ-B](#) [AP7S-FREQ-ER-B](#) [AP7S2-FREQ-ER-B](#) [AP7S1-FREQ-EC-B](#) [AP7S1-FREQ-EJ-B](#) [AP7S2-FREQ-LC-B](#) [AP7S1-FREQ-LR-B](#) [AP7S2-FREQ-LR-B](#) [AP7S1-FREQ-ER-B](#) [AP7S1-FREQ-LC-B](#) [AP7S-FREQ-EC-B](#) [AP7S-FREQ-LC-B](#) [AP7S-FREQ-EJ-B](#) [AP7S-125.000-I-R](#) [AP7S1-FREQ-EB-B](#) [AP7S2-FREQ-LB-B](#) [AP7S-FREQ-IJ-B](#) [AP7S2-FREQ-EK-B](#) [AP7S2-FREQ-NK-B](#) [AP7S1-FREQ-IK-B](#) [AP7S1-FREQ-DC-B](#) [AP7S1-FREQ-IB-B](#) [AP7S-FREQ-DC-B](#) [AP7S2-FREQ-FB-B](#) [AP7S1-FREQ-LB-B](#) [AP7S2-FREQ-DR-B](#) [AP7S-FREQ-DB-B](#) [AP7S2-FREQ-IC-B](#) [AP7S-FREQ-DK-B](#) [AP7S-FREQ-FR-B](#) [AP7S1-FREQ-EI-B](#) [AP7S1-FREQ-IC-B](#) [AP7S1-FREQ-IJ-B](#) [AP7S2-FREQ-IB-B](#) [AP7S-FREQ-EK-B](#) [AP7S1-FREQ-DR-B](#) [AP7S1-FREQ-FR-B](#) [AP7S1-FREQ-IR-B](#) [AP7S1-FREQ-NC-B](#) [AP7S2-FREQ-EB-B](#) [AP7S-FREQ-IK-B](#) [AP7S2-FREQ-DC-B](#) [AP7S1-FREQ-LK-B](#) [AP7S-FREQ-NR-B](#) [AP7S2-FREQ-FC-B](#) [AP7S-FREQ-IB-B](#) [AP7S2-FREQ-DJ-B](#) [AP7S1-FREQ-FC-B](#) [AP7S-FREQ-IC-B](#) [AP7S2-FREQ-DK-B](#) [AP7S-FREQ-NC-B](#) [AP7S-FREQ-LK-B](#) [AP7S1-FREQ-EK-B](#) [AP7S-FREQ-NB-B](#) [AP7S2-FREQ-NR-B](#) [AP7S2-FREQ-LK-B](#) [AP7S1-FREQ-DJ-B](#) [AP7S-FREQ-DR-B](#) [AP7S-FREQ-FB-B](#) [AP7S-FREQ-DJ-B](#) [AP7S2-FREQ-EI-B](#) [AP7S-FREQ-EI-B](#) [AP7S-FREQ-NK-B](#) [AP7S1-FREQ-DK-B](#) [AP7S2-FREQ-FK-B](#) [AP7S1-FREQ-NK-B](#) [AP7S-FREQ-EB-B](#) [AP7S2-FREQ-IR-B](#) [AP7S2-FREQ-NC-B](#) [AP7S2-FREQ-IJ-B](#) [AP7S2-FREQ-DB-B](#) [AP7S2-FREQ-IK-B](#) [AP7S-FREQ-LB-B](#) [AP7S-FREQ-FC-B](#) [AP7S1-FREQ-FB-B](#) [AP7S-FREQ-FK-B](#) [AP7S1-FREQ-FK-B](#) [AP7S2-FREQ-FR-B](#) [AP7S2-FREQ-NB-B](#) [AP7S1-FREQ-NB-B](#) [AP7S1-FREQ-DB-B](#) [AP7S-FREQ-IR-B](#) [AP7S1-FREQ-NR-B](#) [AP7S-52.000-EK](#) [AP7S-55.000-EK](#) [AP7S-11.2896-EJ](#) [AP7S-12.880-EJ](#) [AP7S-12.2880-EJ](#) [AP7S1-20.0000M-EK](#)