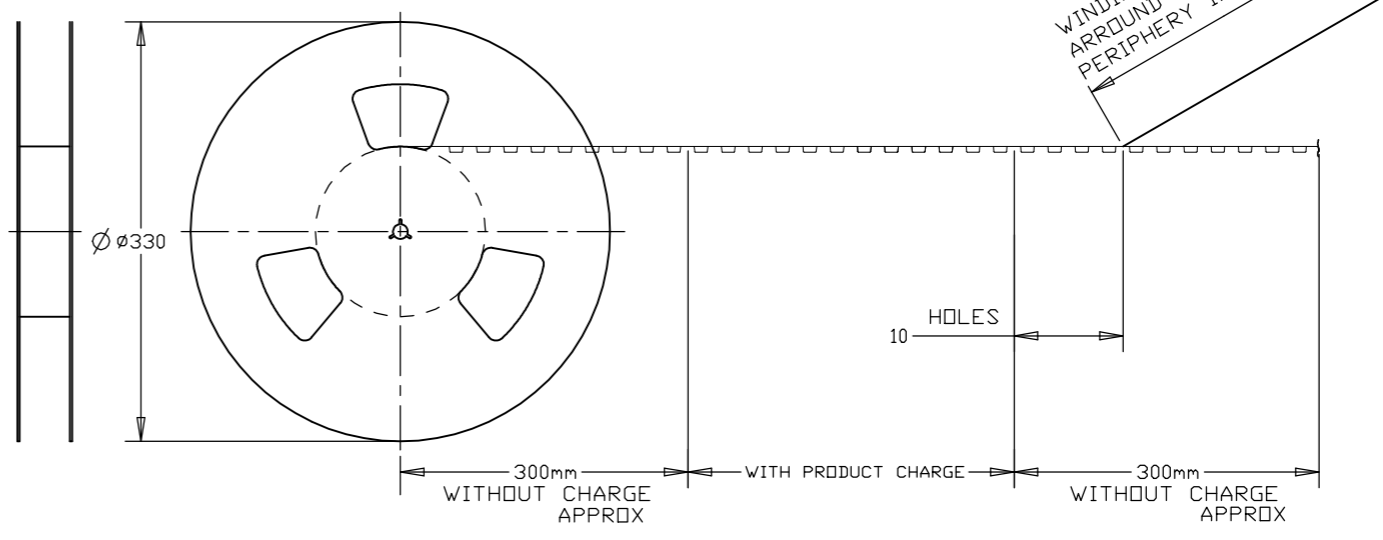
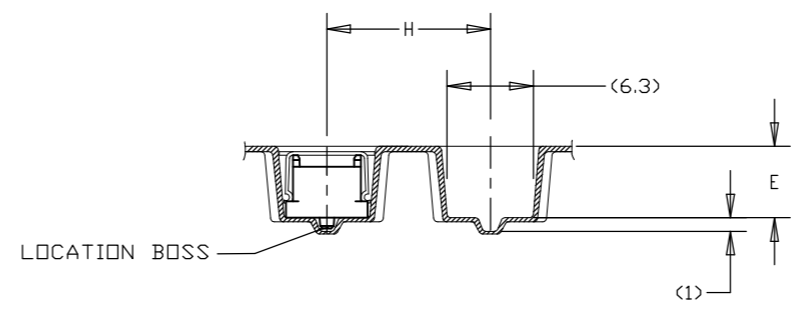
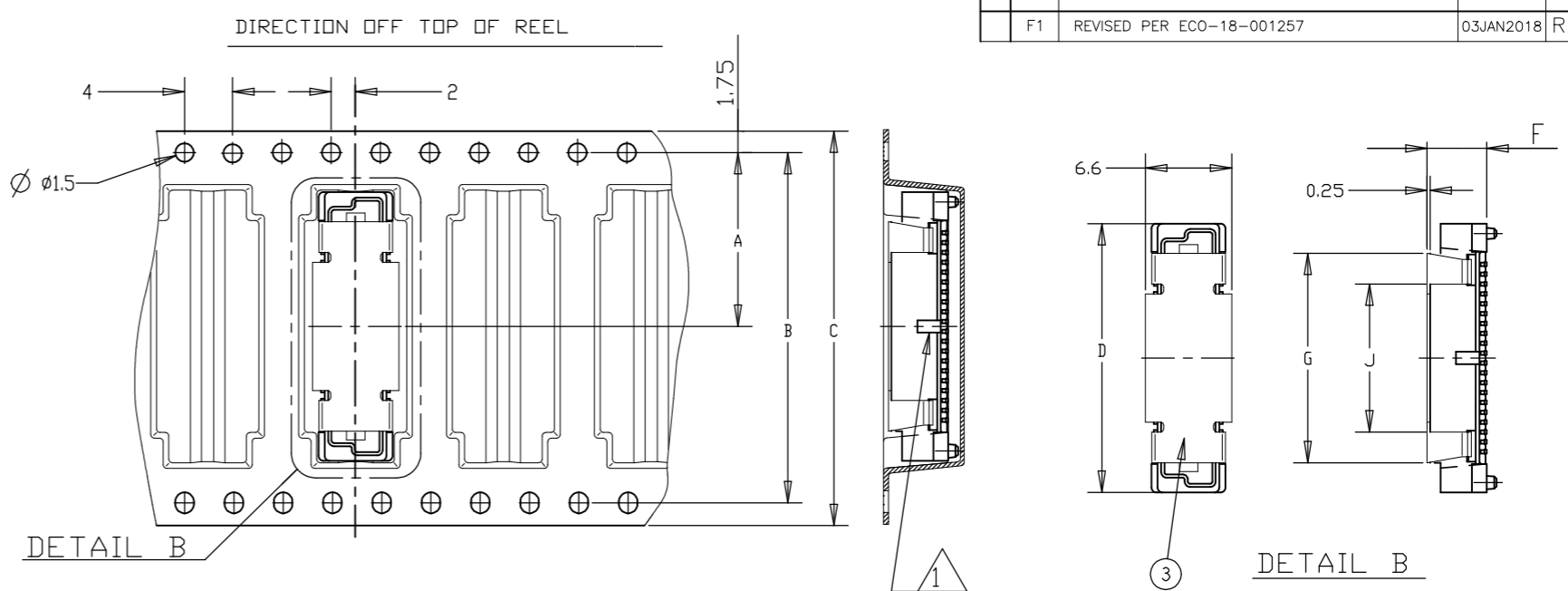


THIS DRAWING IS UNPUBLISHED. RELEASED FOR PUBLICATION
 © COPYRIGHT - TE Connectivity ALL RIGHTS RESERVED.

REVISIONS				
P	LTR	DESCRIPTION	DATE	APVD
F1		REVISED PER ECO-18-001257	03JAN2018	R.L H.L

LOW HALOGEN

- Notes:
- ① CUTOUT FEATURE AVAILABLE ONLY ON 5H ASSY P/N -1 (40P) AND -2 (60P).
 - ⑥ 0.00038 MIN GOLD PLATING (15 μ INCHES GOLD PLATING)
 - ③ CONNECTOR DIMENSIONS REFERENCED FROM DRAWING WHICH CONN. P/Ns BASED
 - ④ CONNECTOR WITH BLACK HOUSING
 - ⑤ MATERIAL: HOUSING: L.C.P UL 94-V0. CONTACT: BRASS



STEEL COVER

①

0.00076 MIN GOLD PLATING (30 μ INCHES GOLD PLATING)		0.0002 MIN GOLD PLATING (7.8 μ INCHES GOLD PLATING)	
450	16	16	16
700	7H 3.6 6.6 12 6.85 7.25	12	12
550	16	16	16
800	6H 2.6 5.6 12 5.85 6.25	12	12
650	16	16	16
900	5H 1.2 4.6 12 12 17 4.85 5.25	17	17
450	7H 3.6 6.6 12 16 17 6.85 7.25	16	16
400	16	16	16
600	8H 4.6 7.6 12 7.85 8.25	12	12
450	16	16	16
700	7H 3.6 6.6 12 6.85 7.25	12	12
500	7H 3.6 6.6 12 6.85 7.25	12	12
550	16	16	16
800	6H 2.6 5.6 12 5.85 6.25	12	12
650	16	16	16
900	5H 1.2 4.6 12 12 17 4.85 5.25	17	17

REMARKS	QTY	HEIGHT TYPE	Y	X	J	H	G	F	E	D	C	B	A	POS	SALEABLE PART NO.
															5177986-1

THIS DRAWING IS A CONTROLLED DOCUMENT.
 DIMENSIONS: mm
 TOLERANCES UNLESS OTHERWISE SPECIFIED:
 0 PLC \pm -
 1 PLC \pm 0.2
 2 PLC \pm 0.15
 3 PLC \pm 0.1
 4 PLC \pm -
 ANGLES \pm -
 MATERIAL -
 FINISH -

DWN FLORENCE TAN 30AUG2004
 CHK ERIC TNG 30MAY2012
 APVD SF LEONG 30MAY2012
 PRODUCT SPEC
 APPLICATION SPEC
 WEIGHT 0
 CUSTOMER DRAWING

TE Connectivity

PLUG ASSEMBLY, FH 0.8 ON TAPING (EMBOSS) 0.5 BOSS LENGTH

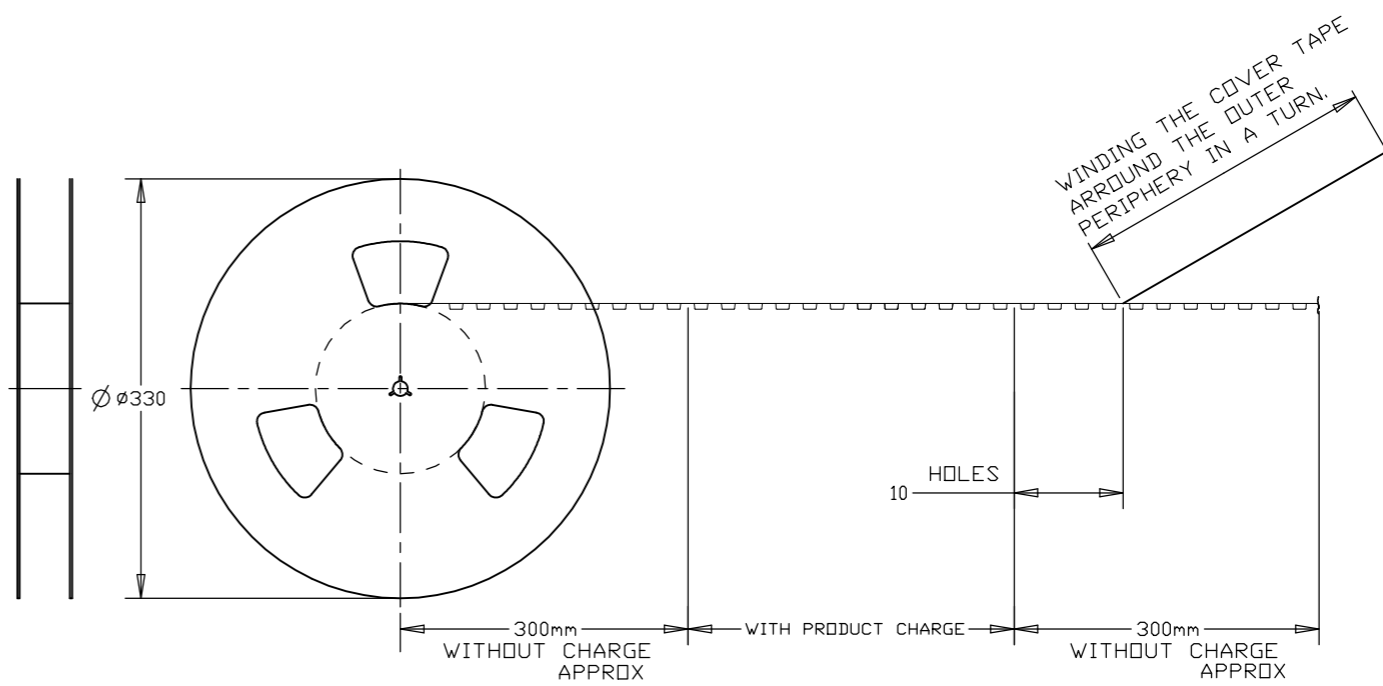
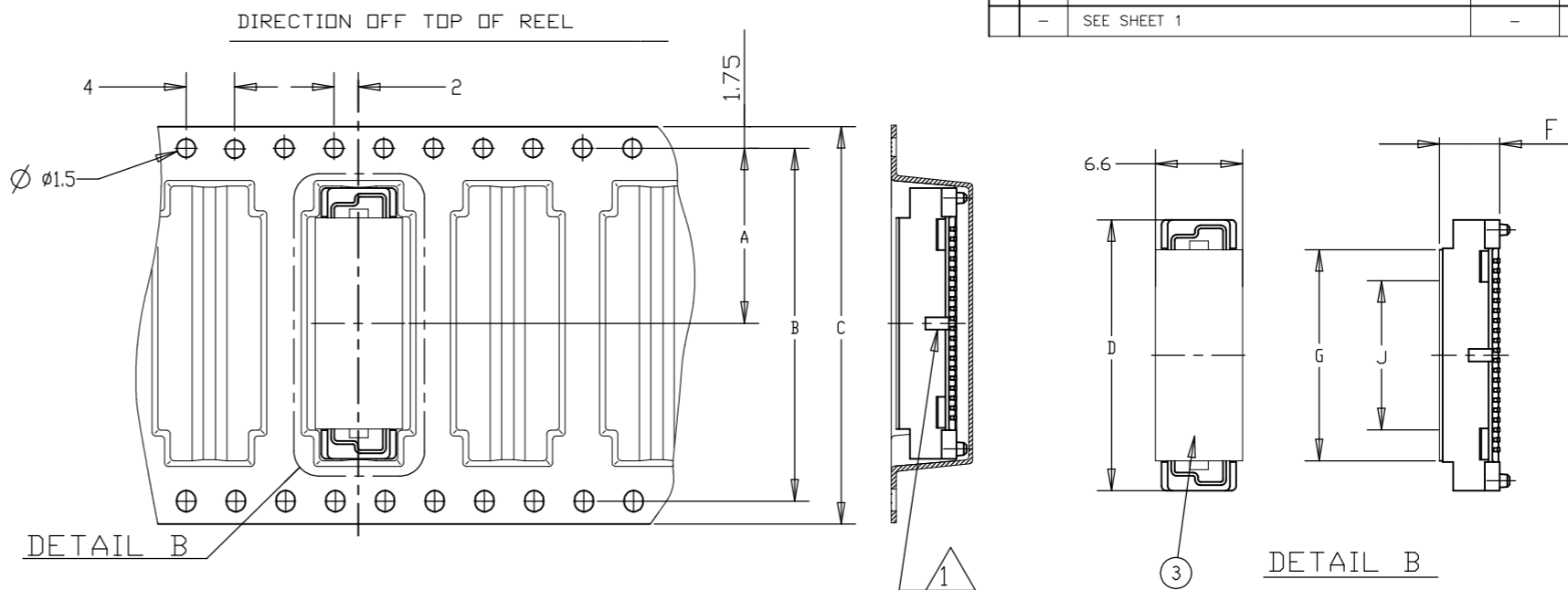
SIZE A2 CAGE CODE 00779 DRAWING NO C=5177986 RESTRICTED TO -
 SCALE 1:1 SHEET 1 of 3 REV F1

THIS DRAWING IS UNPUBLISHED. RELEASED FOR PUBLICATION
 © COPYRIGHT - TE Connectivity ALL RIGHTS RESERVED.

LOW HALOGEN

REVISIONS				
P	LTR	DESCRIPTION	DATE	APVD
-	-	SEE SHEET 1	-	-

Notes:
 6 0.0002 MIN GOLD PLATING
 (7.8u INCHES GOLD PLATING)

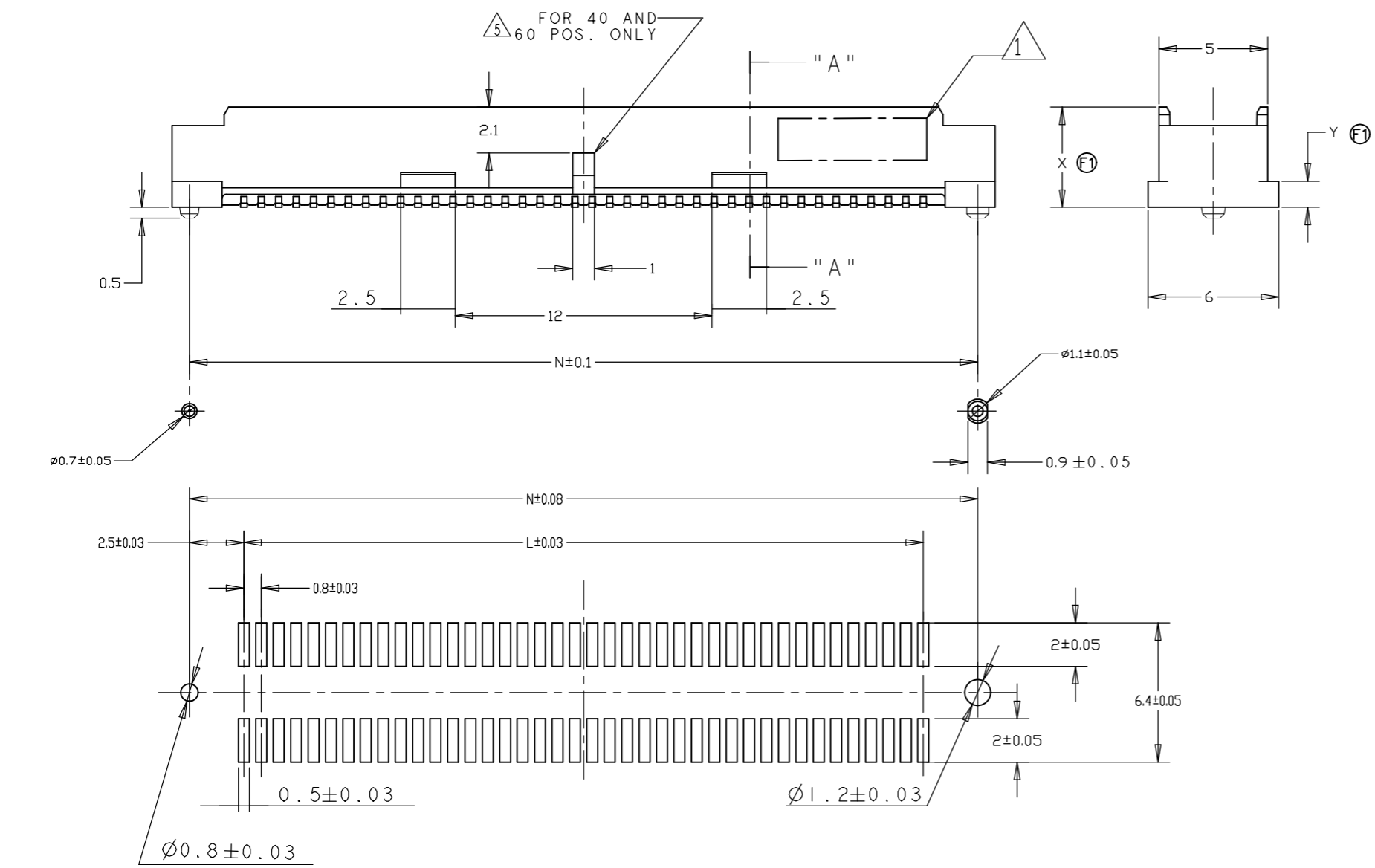
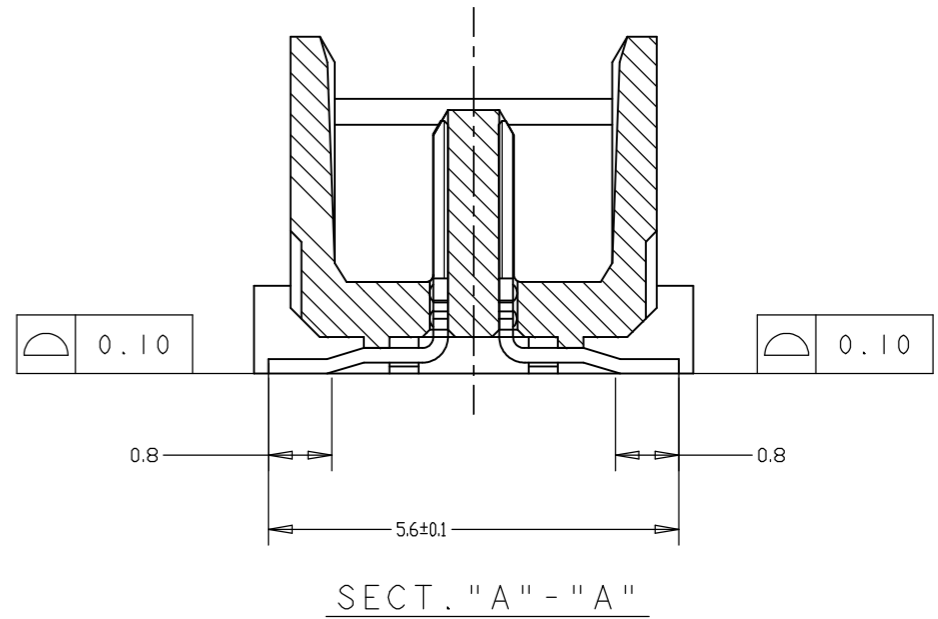
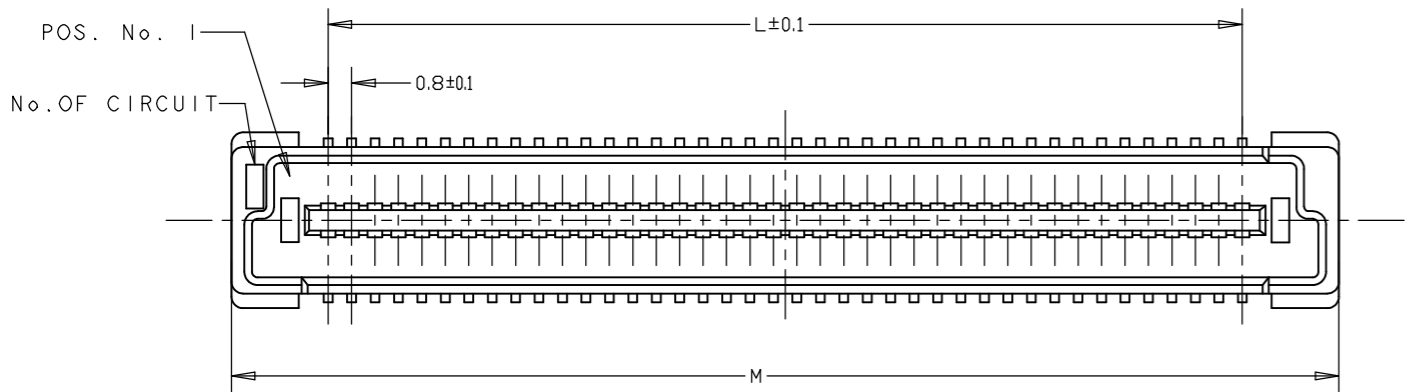


POLYIMIDE COVER

REMARKS	QTY	HEIGHT TYPE	J	H	G	F	E	D	C	B	A	POS	SALEABLE PART NO.
	650	5H	12	16	17	4.85	5.25	61.8	88	84.4	42.2	140	9-5177986-6

THIS DRAWING IS A CONTROLLED DOCUMENT.		DWN FLORENCE TAN 30AUG2004		
DIMENSIONS: mm		CHK ERIC TNG 30MAY2012		
TOLERANCES UNLESS OTHERWISE SPECIFIED:		APVD SF LEONG 30MAY2012	NAME	
0 PLC ± -		PRODUCT SPEC	PLUG ASSEMBLY, FH 0.8 ON TAPING (EMBOSS) 0.5 BOSS LENGTH	
1 PLC ± 0.2		APPLICATION SPEC	SIZE	CAGE CODE
2 PLC ± 0.15		FINISH	A2	00779
3 PLC ± 0.1		WEIGHT	C=5177986	
4 PLC ± -		CUSTOMER DRAWING	SCALE	1:1
ANGLES ± -		RESTRICTED TO	SHEET	2 of 3
FINISH		REV	F1	

REVISIONS				
P	LTR	DESCRIPTION	DATE	APVD
-	-	SEE SHEET 1	-	-



RECOMMENDED P.C. BOARD LAYOUT

LOW HALOGEN

CONNECTOR ONLY

84.2	85.8	79.2	200
76.2	77.8	71.2	180
68.2	69.8	63.2	160
60.2	61.8	55.2	140
52.2	53.8	47.2	120
44.2	45.8	39.2	100
36.2	37.8	31.2	80
28.2	29.8	23.2	60
20.2	21.8	15.2	40
(F1)	N	M	L POS.

THIS DRAWING IS A CONTROLLED DOCUMENT.		DWN FLORENCE TAN 30AUG2004		
		CHK ERIC TNG 30MAY2012		
DIMENSIONS: mm		APVD SF LEONG 30MAY2012	NAME	
TOLERANCES UNLESS OTHERWISE SPECIFIED:		PRODUCT SPEC	PLUG ASSEMBLY, FH 0.8 ON TAPING (EMBOSS) 0.5 BOSS LENGTH	
0 PLC ± -		APPLICATION SPEC	RESTRICTED TO	
1 PLC ± 0.2		WEIGHT	SIZE	CAGE CODE
2 PLC ± 0.15		0	A2	00779
3 PLC ± 0.1		DRAWING NO		5177986
4 PLC ± -		CUSTOMER DRAWING		SCALE 1:1
ANGLES ± -		SHEET 3 of 3		REV F1

5177986

Mouser Electronics

Authorized Distributor

Click to View Pricing, Inventory, Delivery & Lifecycle Information:

[TE Connectivity:](#)

[5-5177986-4](#)