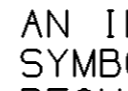
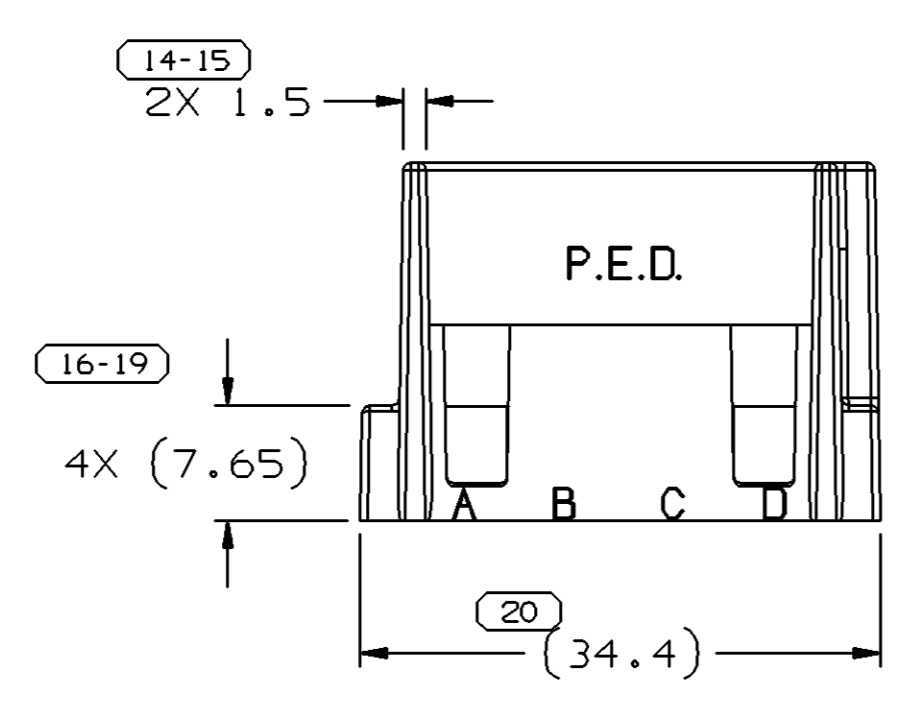
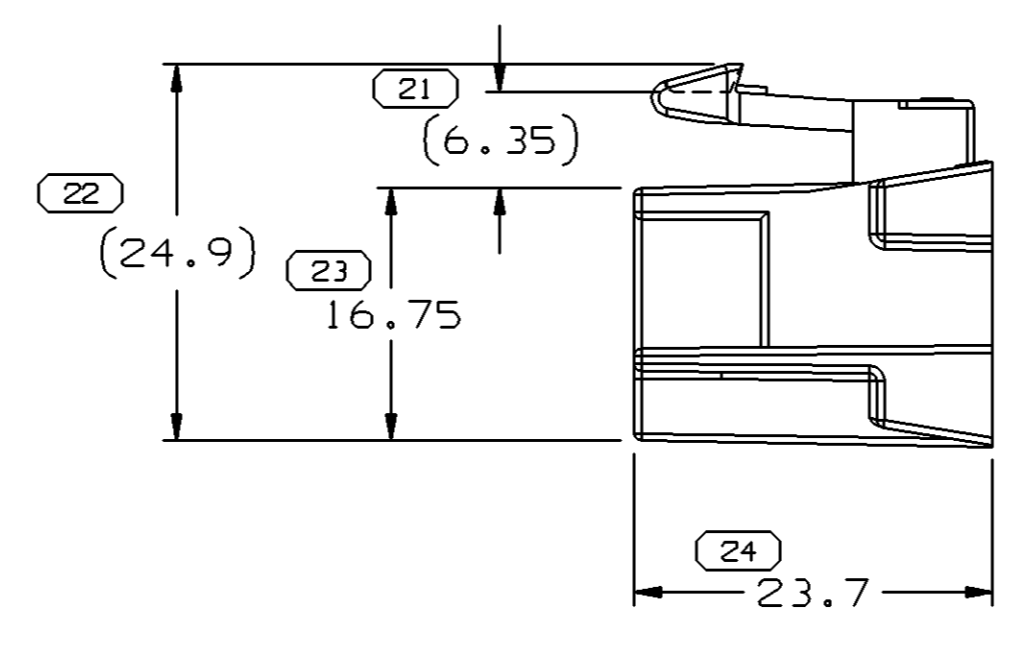
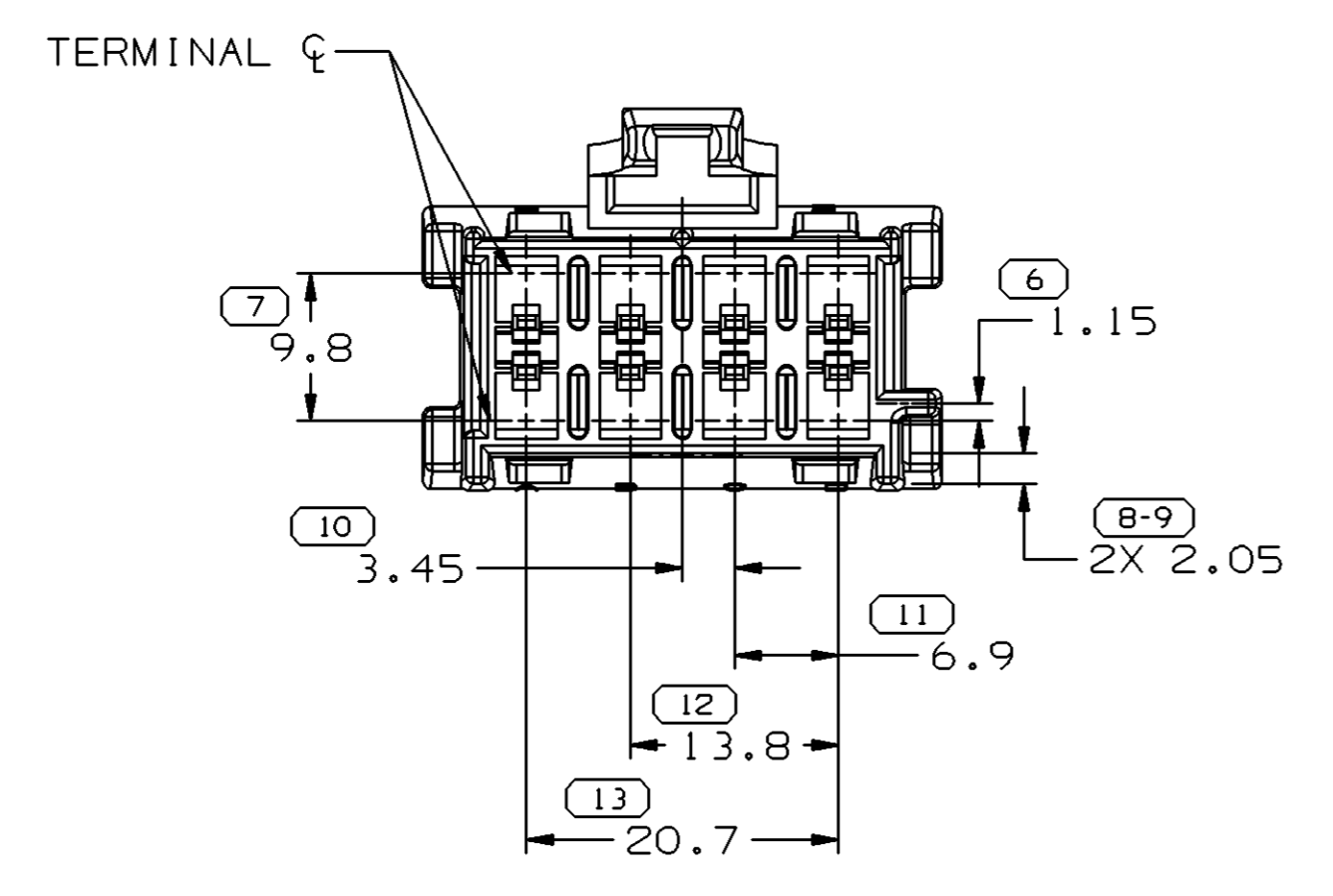
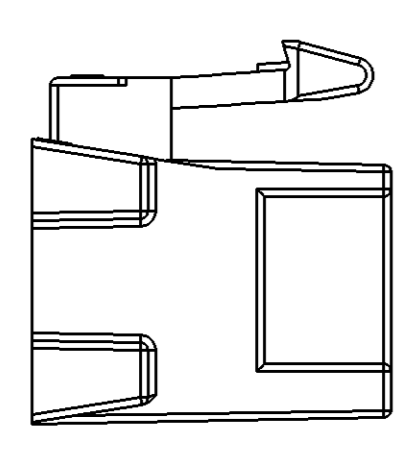
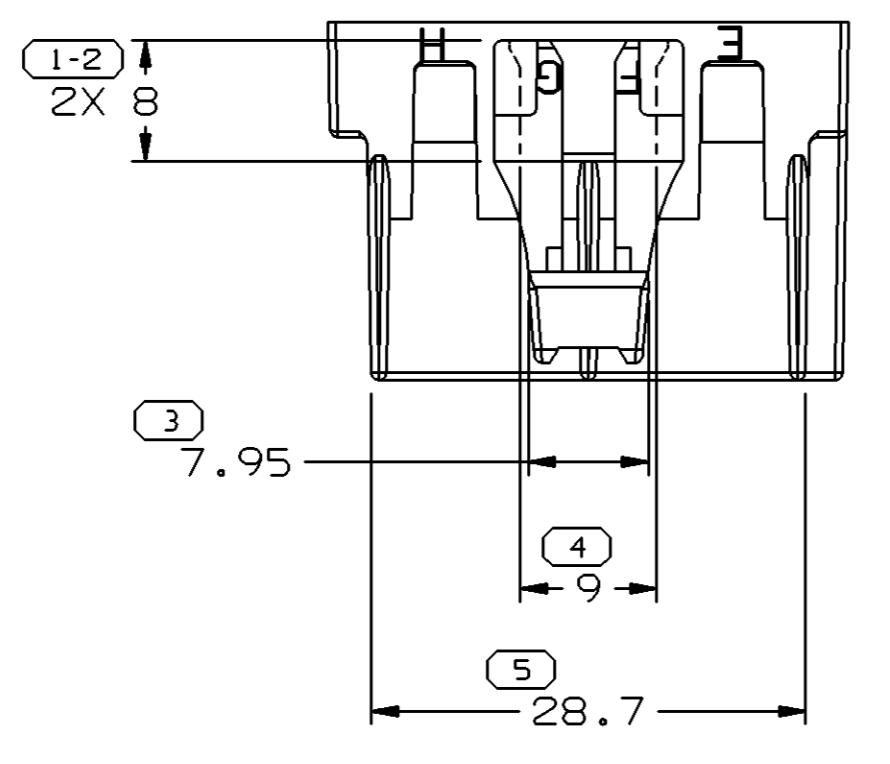


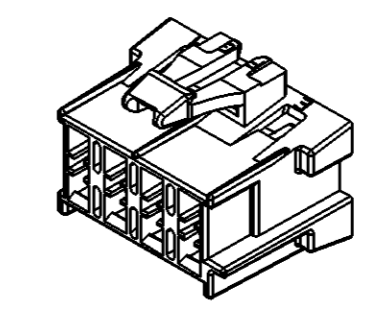
SYMBOL DEFINITION		MISSING NUMBERS
A DIMENSION WITHOUT AN INSPECTION REPORT SYMBOL  DOES NOT REQUIRE INSPECTION. IT MAY BE CONTROLLED ON AN INDIVIDUAL COMPONENT DRAWING.	TOTAL NO. OF SYMBOLS ON DRAWING	21,
	LAST NO. USED	25

DWG STATUS					ZONE	REVISION HISTORY	AUTH	DR	APVD 1	APVD 2
DATE	STG	REV	N/P	CHG						
060C99	R	01	-	-		RELEASED	990005	END	END	RJ
14DE99	R	01	AA	-		ADDED CENTERLINE NOTE & () TO DIM 21	198874	MAC	MAC	RJ
040C00	R	02	-	-		UPDATED PDM ATTRIBUTES	200863	JMR	JMR	BTG
18DE00	R	02	AA	-		REVISED NOTES	204958	JHH	JHH	BTG
30AP04	R	02	AB	-		UPDATED PDM ATTRIBUTES	251978	CCV	JAA	TAV

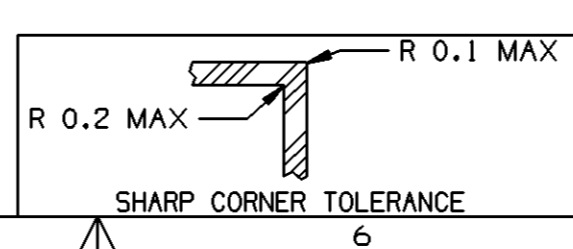


NOTES

- UNLESS OTHERWISE SPECIFIED AND/OR INDICATED: DIMENSIONS ARE TO FACE OF VIEW SHOWN AND AUTOMATICALLY ROUNDED BY COMPUTER FOR INSPECTION. (SEE MATH MODEL FOR PRECISE DIMENSIONS.) FOR ALL OTHER DIMENSIONS NOT SHOWN BUT REQUIRED FOR TOOL BUILD, SEE MATH MODEL FOR PRECISE TOOL PATH DATA.
- THIS PART IS NOT CONTROLLED FOR AUTOMATIC FEEDING.
- REFERENCE MATING COMPONENTS OR EQUIVALENT: CONNECTOR: SEE TAXI 15357052
- THIS PART ACCEPTS THE FOLLOWING COMPONENTS OR EQUIVALENT: CAVITIES TO ACCEPT 12110844 TERMINAL SECONDARY TERMINAL LOCK 15324332 CONNECTOR POSITION ASSURANCE LOCK 12052834
- SIMILAR PARTS EXIST WITHOUT INDEX RIB ON 12129089.
- (2.3)X(0.1) DELPHI CORPORATE BRAND TO BE LOCATED ON ANY EXTERIOR SURFACE, PREFERABLY VISIBLE AT FINAL ASSEMBLY. OPTIONAL CONSTRUCTION TO BE "PED".



5	PROCESS SENSITIVE DIMENSION
DIMENSIONS ENCLOSED IN () INDICATE REFERENCE DIMENSIONS AND NO TOLERANCE LIMITS ARE ESTABLISHED	



DIMENSIONAL RANGE (MM)		CHART E1	
FROM	TO	TOLERANCE UNLESS OTHERWISE SPECIFIED	ANGULAR TOLERANCE ±2°
> 0	> 20	±0.15	±1
> 20	> 30	±0.2	±1.2
> 30	> 70	±0.3	
> 70	> 100	±0.4	
> 100	> 150	±0.5	
> 150	> 200	±0.6	
> 200	> 250	±0.8	
> 250	> 300	±1	
> 300	> 400	±1.2	

DWG TYPE		PART DRAWING	
STYLE			
VOLUME (CM³)	5.764	DISTR CODE	D
ROUTING	6900		
UNLESS OTHERWISE SPECIFIED			
PERFECT FORM REQUIRED FOR FEATURES OF SIZE AT MMC. TRUE POSITION TOLERANCES AND RELATED DATUMS APPLY AT CONDITION OF SIZE INDICATED IN FEATURE CONTROL FRAME. ALL OTHER GEOMETRIC TOLERANCES AND RELATED DATUMS APPLY RFS. SEPARATE TRUE POSITION CALLOUTS MAY BE GAGED SEPARATELY, REGARDLESS OF DATUM REFERENCE.			
ALL DIMENSIONS ARE IN MILLIMETERS			
THIRD ANGLE PROJECTION			
DO NOT SCALE			
USE MATH DATA			

DELPHI
DELPHI PACKARD ELECTRIC SYSTEMS
WARREN, OH

DR	D. SMUTNY	DATE	08SE99
APVD1	E. NEAL DUNHAM		060C99
APVD2	E. NEAL DUNHAM		060C99
APVD3	R. JINDIA		060C99
APVD4			
APVD5			

SUBSTANCES OF CONCERN AND RECYCLED CONTENT PER DELPHI 10949001

MATERIAL
M3592012 PA66 HS IM GRA LT

DRAWING NAME
CONN 8 F M/P 280 GRA LT

DRAWING NUMBER
15357040

SIZE	A1	SCALE	2:1	FRAME NO	1 OF 1	SHEET NO	1 OF 1	STG	R	REV	02	N/P	AB
------	----	-------	-----	----------	--------	----------	--------	-----	---	-----	----	-----	----

Mouser Electronics

Authorized Distributor

Click to View Pricing, Inventory, Delivery & Lifecycle Information:

[Aptiv:](#)

[15357040](#)