

THIS DRAWING IS UNPUBLISHED.

RELEASED FOR PUBLICATION

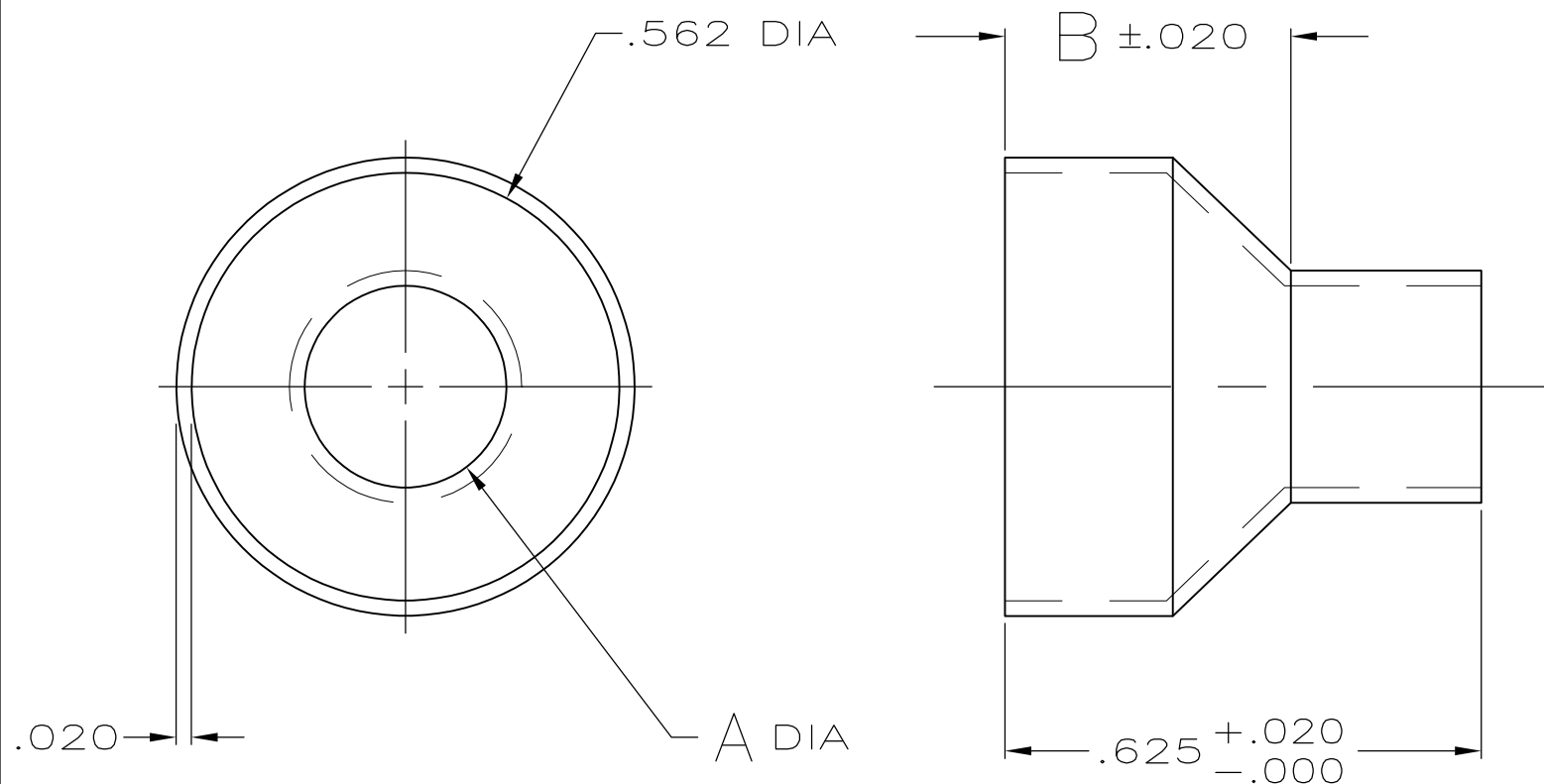
ALL RIGHTS RESERVED.

© COPYRIGHT - By -

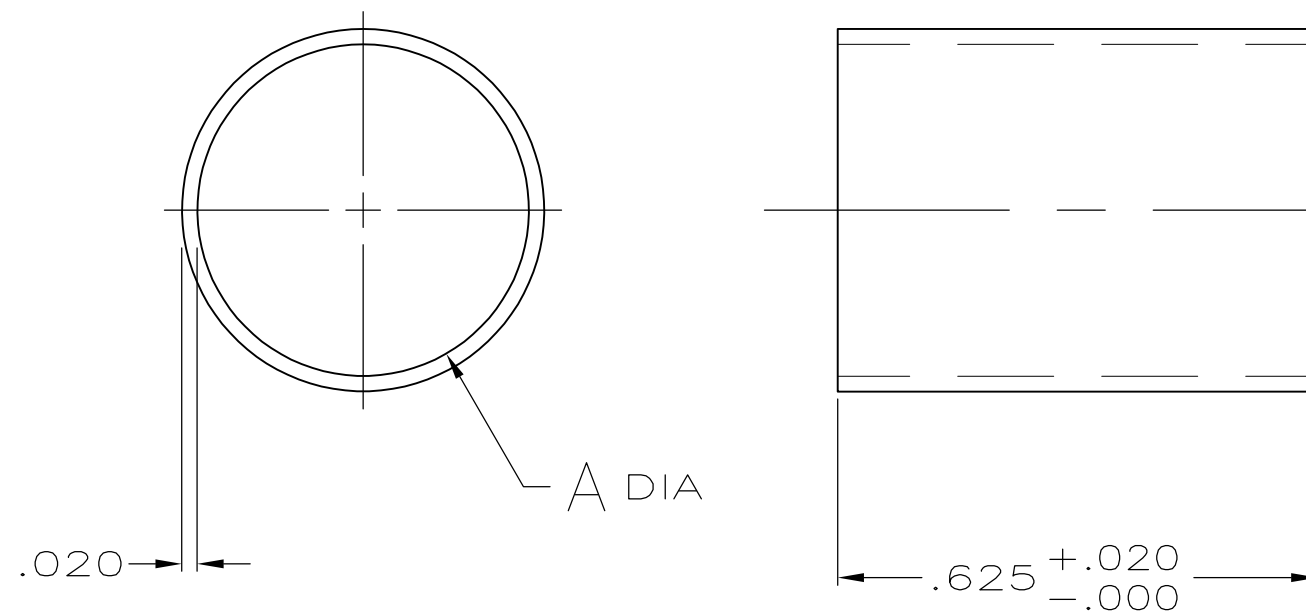
LOC GP DIST 00

REVISIONS

P	LTR	DESCRIPTION	DATE	DWN	APVD
L3		REVISED PER ECO-11-004835	11MAR11	RK	HMR



STYLE I (STEPPED)




STYLE II (STRAIGHT)

	②	I	.422-.490	.375	.490	3-747580-1	
	②	I	.230-.265	.375	.265	2-747580-4	
	②	I	.338-.385	.375	.385	2-747580-3	
	②	I I	.480-.562	-	.562	2-747580-2	
	②	I	.375-.432	.375	.432	2-747580-1	
OBSOLETE	①	I	.230-.265	.375	.265	1-747580-0	
OBSOLETE	①	I	.338-.385	.375	.385	747580-8	
OBSOLETE	①	I I	.480-.562	-	.562	747580-6	
OBSOLETE	①	I	.422-.490	.375	.490	747580-5	
OBSOLETE	①	I	.375-.432	.375	.432	747580-4	
		FINISH	STYLE	INSULATION RANGE DIA	B	A	PART NUMBER

① .000100 MIN BRIGHT TIN-LEAD OVER .000100 MIN COPPER.

② .000100 MIN BRIGHT TIN OVER .000100 MIN COPPER.

THIS DRAWING IS A CONTROLLED DOCUMENT.		DWN B. MCMASTER 21MAY04	 TE Connectivity				
DIMENSIONS: INCHES		CHK J. GERACE 21MAY04					
TOLERANCES UNLESS OTHERWISE SPECIFIED:		APVD M. WALMSLEY 21MAY04	NAME				
0 PLC ± - 1 PLC ± - 2 PLC ± - 3 PLC ± .005 4 PLC ± - ANGLES ± -		PRODUCT SPEC	OUTER FERRULE, SIZE 4 AND 5, AMPLIMITE SHIELDING HARDWARE				
MATERIAL STEEL, ANNEALED		FINISH SEE TABLE	APPLICATION SPEC	SIZE	CAGE CODE	DRAWING NO	RESTRICTED TO
			WEIGHT -	A3	00779	C-747580	-
CUSTOMER DRAWING			SCALE 4:1	SHEET 1 OF 1	REV L3		

Mouser Electronics

Authorized Distributor

Click to View Pricing, Inventory, Delivery & Lifecycle Information:

[TE Connectivity:](#)

[3-747580-1](#)