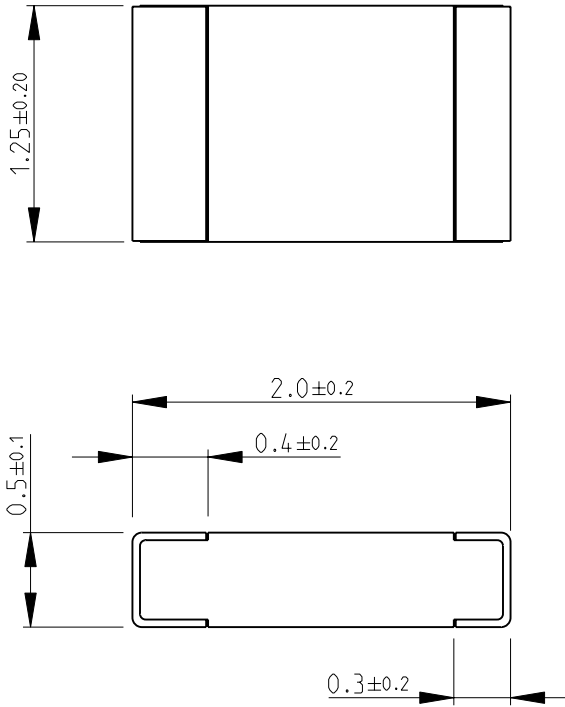
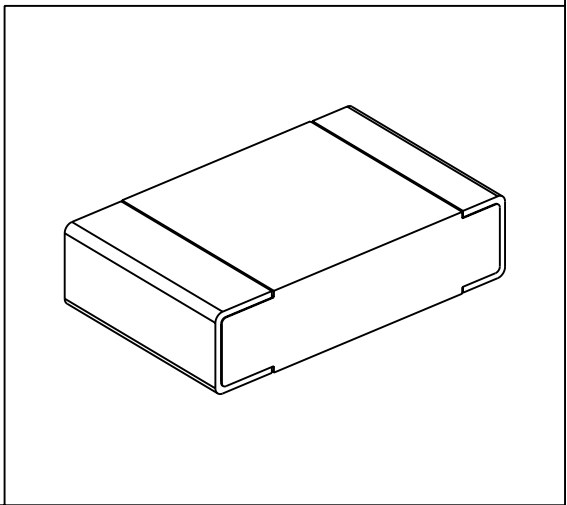


LOC		DIST		REVISIONS				
P	LTR	DESCRIPTION			DATE	DWN	APVD	
E	B	BA2	REVISED PER ECO-11-005150			29MAR2011	RK	HMR

FOR FURTHER INFORMATION SEE DATA SHEET FOR CPF SERIES-THIN FILM PRECISION CHIP RESISTORS



RoHS Compliant




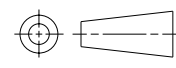
2008

RELEASED FOR PUBLICATION

ALL RIGHTS RESERVED.

THIS DRAWING IS UNPUBLISHED.

BY -  
© COPYRIGHT 2008

DIMENSIONS: mm	DWN	22-Sep-08	MATERIAL	-	FINISH	-
	CHK	22-Sep-08	 TE Connectivity			
TOLERANCES UNLESS OTHERWISE SPECIFIED:	APVD	22-Sep-08				
0 PLC $\pm 0.2$	STEPHEN.P		NAME THIN FILM PRECISION CHIP RESISTORS SERIES CPF 0805			
1 PLC $\pm 0.1$	PRODUCT SPEC	-				
2 PLC $\pm$	APPLICATION SPEC	-	SIZE	CAGE CODE	DRAWING NO	RESTRICTED TO
3 PLC $\pm$			A 4	00779	© = 1614884	-
4 PLC $\pm$	WEIGHT	-	CUSTOMER DRAWING			
ANGLES $\pm 5^\circ$			SCALE	25:1	SHEET	1 OF 1
			REV BA2			

# Mouser Electronics

Authorized Distributor

Click to View Pricing, Inventory, Delivery & Lifecycle Information:

[TE Connectivity:](#)

[CPF0805B300RE1](#)