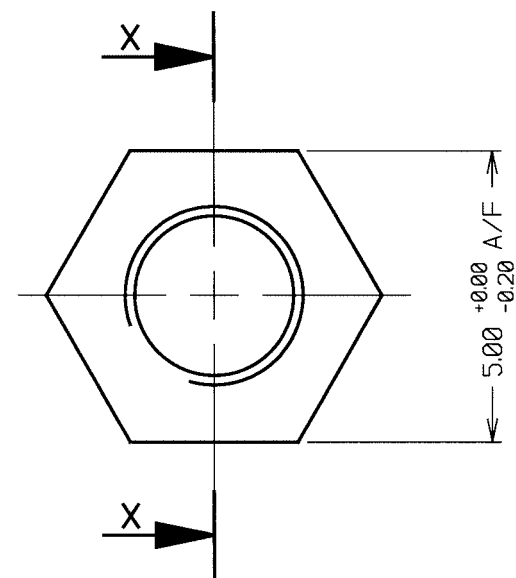


M3 x 0.5 - 6H
SEE NOTE 2

0.25 x 45° TYP.

SECTION X-X



PART No.	DIM 'A'	SURFACE AREA
R6390-02	3.18	111.5mm ²
R6391-02	6.35	195.2mm ²
R6392-02	9.52	278.9mm ²
R6393-02	12.70	362.8mm ²
R6394-02	15.88 ±0.15	446.8mm ²
R6395-02	19.05 ±0.15	530.5mm ²
R6396-02	22.23 ±0.15	614.5mm ²
R6397-02	25.40 ±0.15	698.2mm ²

NOTES.

1. FINISH = F0203 (0.35μ NICKEL)
2. THREAD TO BE MANUFACTURED IN ACCORDANCE WITH BS3643 PART. 2 1981.
3. REMOVE ALL BURRS.

14	22.01.99	4737
13	11.04.87	1081
12	08.02.86	932

ISS. DATE C/N

APPROVED: *[Signature]*

CHECKED: *[Signature]*

DRAWN: D. BECK

CUSTOMER REF.

ASSEMBLY DRG:

HARWIN

TOLERANCES

X. = ±1mm
 X.X = ±0.25mm
 X.XX = ±0.10mm
 X.XXX = ±0.01mm
 ANGLES = ±1°
 UNLESS STATED

MATERIAL:

BRASS CZ121 TO BS2874
(BRM1023)

FINISH: SEE NOTE 1

S/AREA: SEE TABLE mm²

TITLE:

M3 THREADED HEXAGONAL
SPACER

DRAWING NUMBER:

R6390-02/R6397-02

SHT
1 OF 1

HARWIN INC
U.S.A.

TEL: (812) 285 0055
FAX: (812) 285 0056

HARWIN PLC
U.K.

TEL: 01705 370451
FAX: 01705 314590

HARWIN PTE
SINGAPORE

TEL: 65 7794909
FAX: 65 7793868

Mouser Electronics

Authorized Distributor

Click to View Pricing, Inventory, Delivery & Lifecycle Information:

[Harwin:](#)

[R6396-02](#) [R6397-02](#) [R6395-02](#) [R6392-02](#) [R6391-02](#) [R6393-02](#)