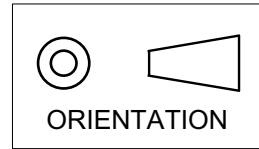
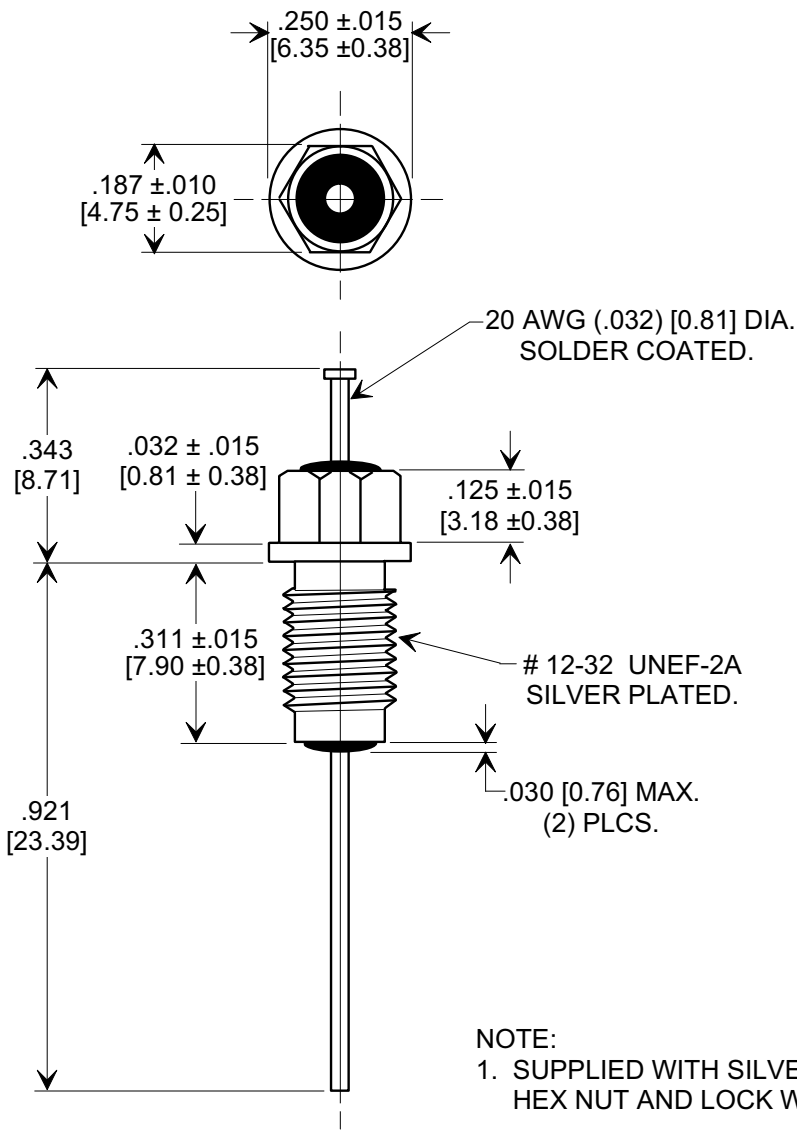
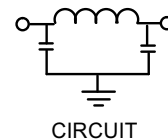


**MARKETING SALES DRAWING**  
**DIMENSIONS IN INCHES - DO NOT SCALE THIS DRAWING**  
**DIMENSIONS IN METRIC - [ ]**

This drawing is the property of Tusonix, Inc., and may not be used, reproduced, published or disclosed to others without expressed authorization by Tusonix Inc.



**Electrical Testing**  
per Tusonix standard  
test plans and Mil-Std-202  
Test Methods.



MIN. CAP. (pF)	WORKING VOLTAGE (WVdc)	CURRENT IDC	MINIMUM NO LOAD INSERTION LOSS (dB) AT 25°C PER MIL-STD -220			
	125 °C		50 MHz	100 MHz	1 GHz	10 GHz
1500	200	10 A	32	45	70	70

REVISION RECORD Original Release C.O. ECO-666	<b>A</b>	TOLERANCES unless otherwise specified 2 PLC. DECIMAL ± $\frac{\quad}{\quad}$ 3 PLC. DECIMAL ± .031 [0.79]	Title <b>M15733/61-0005 BUSHING STYLE EMI FILTER</b>	
			ANGLES ± $\frac{\quad}{\quad}$	Drawn L.E. 04-15-09
		<b>TUSONIX</b> TUCSON, ARIZONA	Approved R.L. 04-15-09	
		<b>A</b>	<b>4203-502</b>	

X-2015 Rev-0

# Mouser Electronics

Authorized Distributor

Click to View Pricing, Inventory, Delivery & Lifecycle Information:

[Tusonix / CTS:](#)

[4203-502](#)