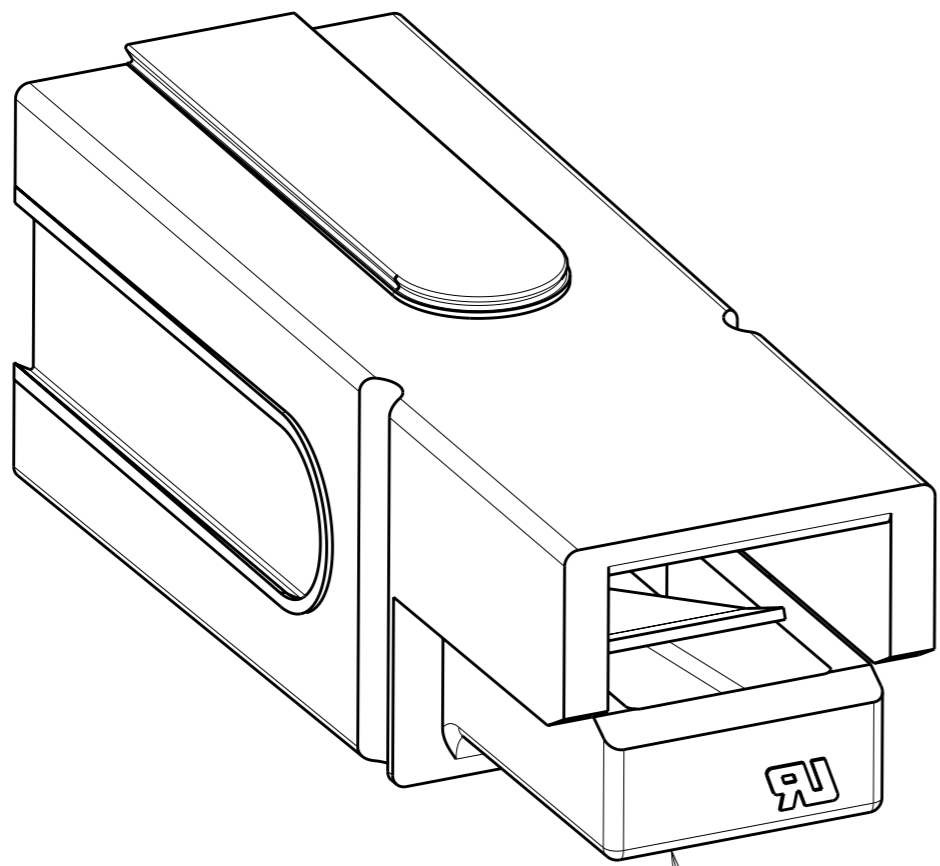
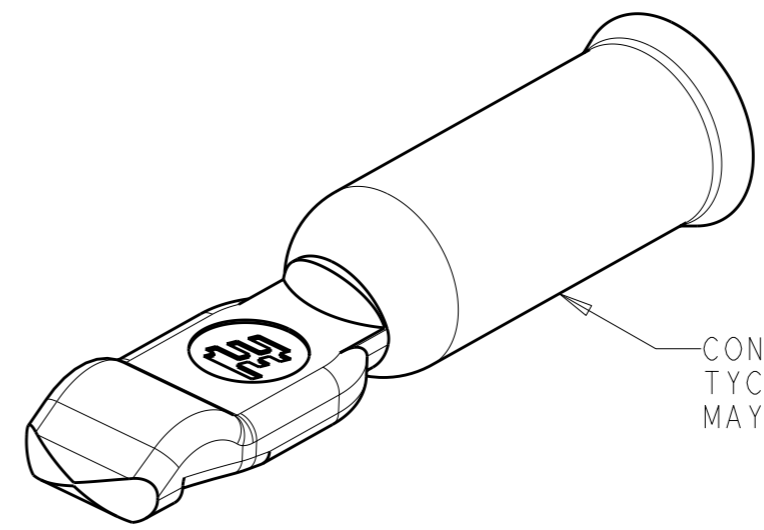


THIS DRAWING IS UNPUBLISHED. RELEASED FOR PUBLICATION 20
 © COPYRIGHT 20 BY TYCO ELECTRONICS CORPORATION. ALL RIGHTS RESERVED.

LOC	DIST	REVISIONS			
P	LTR	DESCRIPTION	DATE	DWN	APVD
CM	0	01	REVISED PER ECR-10-010379	24MAY2010	HMR JR



HOUSING-SPRING SUB-ASSY, 1 REQD
 TYCO PART NUMBER
 1604062-1 THRU -5 (INCLUSIVE)
 MAY BE ORDERED SEPARATELY



CONTACT, 1/0 AWG, 1 REQD
 TYCO PART NUMBER 1604038-1
 MAY BE ORDERED SEPARATELY

GREEN	1604398-5
RED	1604398-4
WHITE	1604398-3
BLACK	1604398-2
BLUE	1604398-1
HOUSING COLOR	KIT PART NO

THIS PRODUCT HAS PASSED VERIFICATION AND AGENCY APPROVALS TESTING AND IS COMPONENT RECOGNIZED PER UL 1977. TYCO ELECTRONICS PRODUCT QUALIFICATION TESTING IS NOT YET COMPLETED.



<small>THIS DRAWING IS A CONTROLLED DOCUMENT FOR TYCO ELECTRONICS CORPORATION IT IS SUBJECT TO CHANGE AND THE CONTROLLING ENGINEERING ORGANIZATION SHOULD BE CONTACTED FOR THE LATEST REVISION.</small>		DWN 9SEP2002 Brent D. Yohn		Tyco Electronics Harrisburg, PA 17105-3608	
DIMENSIONS: mm		TOLERANCES UNLESS OTHERWISE SPECIFIED: 0 PLC ±- 1 PLC ±0.4 2 PLC ±0.13 3 PLC ±0.050 4 PLC ±- ANGLES ±-		CHK 9SEP2002 W.H. BERNHART APVD 9SEP2002 W.H. BERNHART PRODUCT SPEC - APPLICATION SPEC - WEIGHT -	
MATERIAL -		FINISH -		NAME KIT, CONNECTOR, SERIES 180 AMP, WITH 1/0 AWG CONTACTS	
CUSTOMER DRAWING		SIZE A3	CAGE CODE 00779	DRAWING NO C-1604398	RESTRICTED TO -
		SCALE 2:1	SHEET 1	OF 1	REV 01

Mouser Electronics

Authorized Distributor

Click to View Pricing, Inventory, Delivery & Lifecycle Information:

[TE Connectivity:](#)

[1604398-2](#)