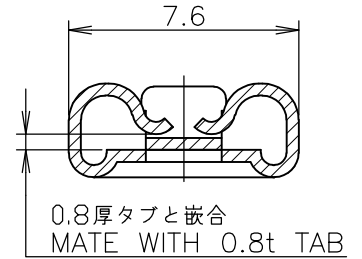
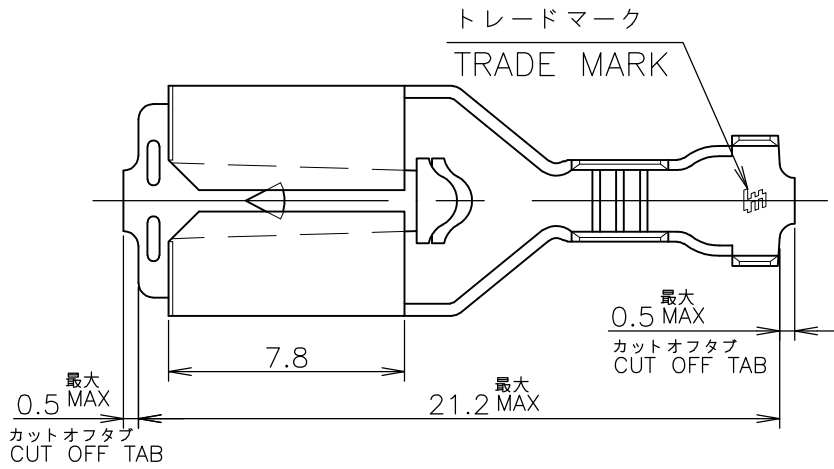
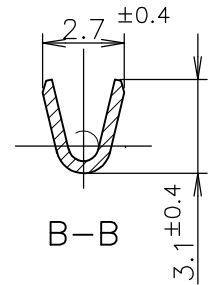
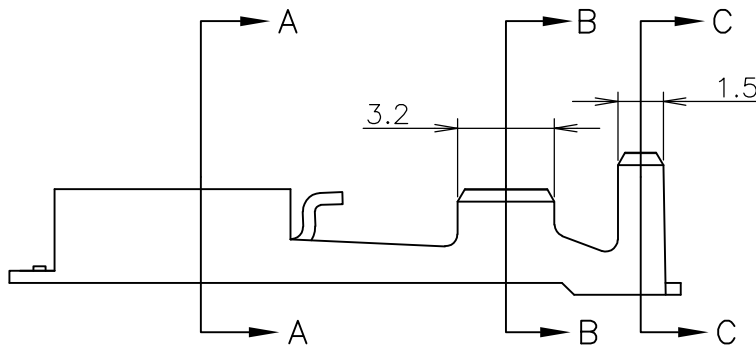


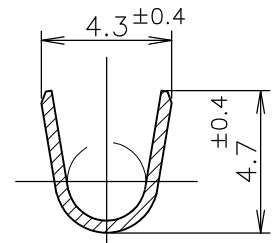
REVISIONS 変更					
P	LTR	DESCRIPTION	DATE	DWN	APVD
	C2	REVISED PER ECR-16-003912	21MAR16	HG	TD



A-A



B-B



C-C

- 1 APPLICABLE SLEEVE P/N: 174817-1
- 2 CONTINUOUS STRIP ON REELS
- 3 INSTRUCTION SHEET NO: 411-5391
- △ PACKAGE WITH INTERLAYER PAPER

911589-1	175021-1	PRE TINNED BRASS	△ 175020-2
911589-1	175021-1	PRE TINNED BRASS 錫めっき付 黄銅 0.4t	175020-1
HAND TOOL NO. 手動工具型番	LOOSE PIECE NO. ばら状端子型番	MATERIAL 材料	P/N 型番

WIRE RANGE 抱合電線断面積	AWG #22-#18 0.31~0.89 mm <sup>2</sup>	INSULATION DIA 被覆外径	1.5~3.1 mmφ
-----------------------	--	------------------------	-------------

THIS DRAWING IS UNPUBLISHED. ALL RIGHTS RESERVED. RELEASED FOR PUBLICATION

COPYRIGHT 1999 By -

DIMENSIONS: 単位: 耗 mm  TOLERANCES UNLESS OTHERWISE SPECIFIED: 一般公差  0 PLC ± 1 PLC ± 10 ≥: ±0.2 2 PLC ± 30 ≥ > 10: ±0.25 3 PLC ± 100 ≥ > 30: ±0.3 4 PLC ± ANGLES ± 3°	DWN M.SUZUKI 11MAY1999	MATERIAL 材料 表参照 SEE TABLE	FINISH 仕上			
	CHK M.SHINDO 12MAY1999	TE Connectivity				
APVD M.SHINDO 12MAY1999	PRODUCT SPEC 製品規格 108-5251			NAME 名称 250 SERIES POSITIVE LOCK-EX REC. 250 シリーズ ポジティブロッカーEX リセプタクル		
	APPLICATION SPEC 取付適用規格 114-5119	SIZE A4	CAGE CODE 00779	DRAWING NO 番号 C-175020	RESTRICTED TO	
	WEIGHT	CUSTOMER DRAWING		SCALE 尺度 4:1	SHEET 1 OF 1	REV C2

# Mouser Electronics

Authorized Distributor

Click to View Pricing, Inventory, Delivery & Lifecycle Information:

[TE Connectivity:](#)

[175021-1](#)