

PART NAME UTILIBOX (STYLE F)

PART No.

CU-1874-B & CU-1874-G

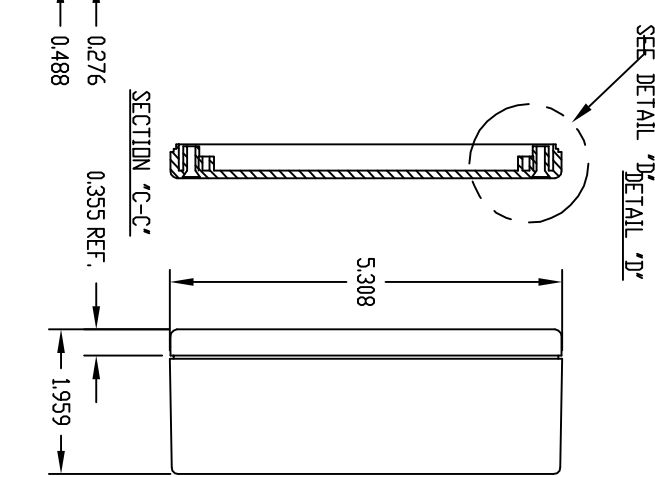
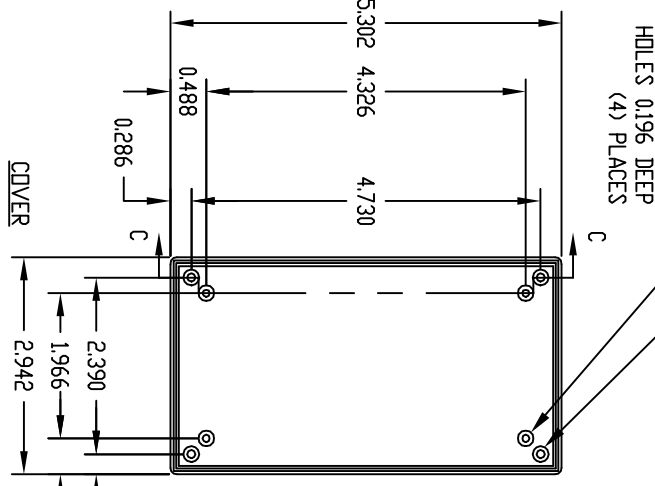
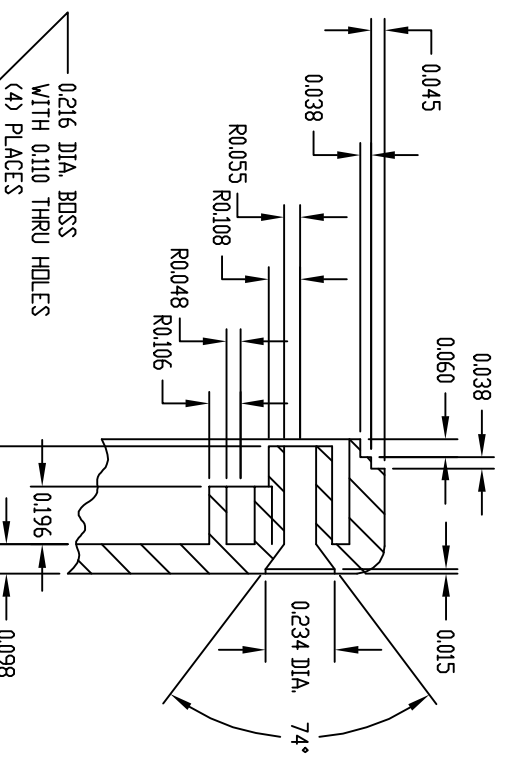
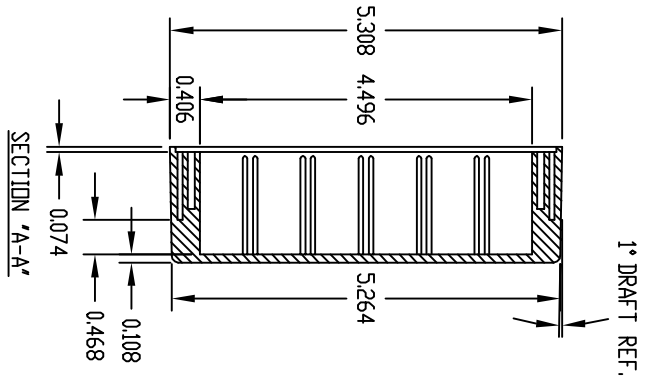
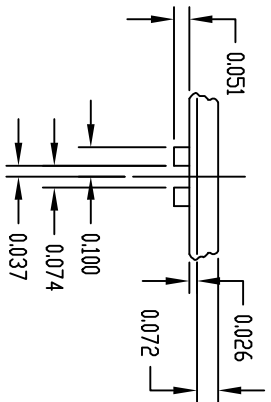
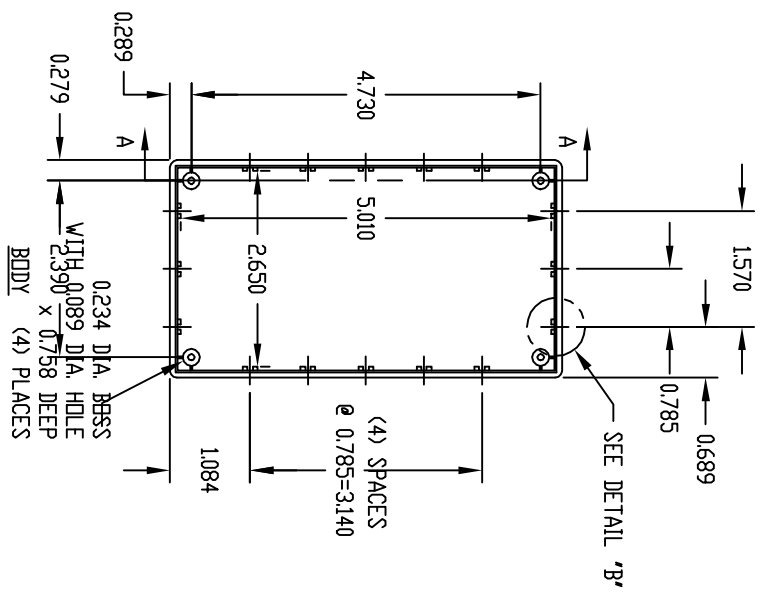
MATERIAL:
COVER AND BODY ----- MOLDED IMPACT RESISTANT ABS

FINISH:
(SUFFIX -B) COVER AND BODY ----- BLACK
(SUFFIX -G) COVER AND BODY ----- GRAY

FOUR (4) M2.5 x 17.5mm LG. SCREWS ARE SUPPLIED FOR ASSEMBLY.

NOTE: ALL DIMENSIONS HAVE ± 0.015 TOLERANCE UNLESS OTHERWISE SPECIFIED.

MOUNTING BRASSES USE EITHER M2.5 METRIC DR #4 STD. SHEET METAL SCREWS x 0.187" LG. (NOT SUPPLIED)



Mouser Electronics

Authorized Distributor

Click to View Pricing, Inventory, Delivery & Lifecycle Information:

[Bud Industries:](#)

[CU-1874-B](#) [CU-1874-G](#)