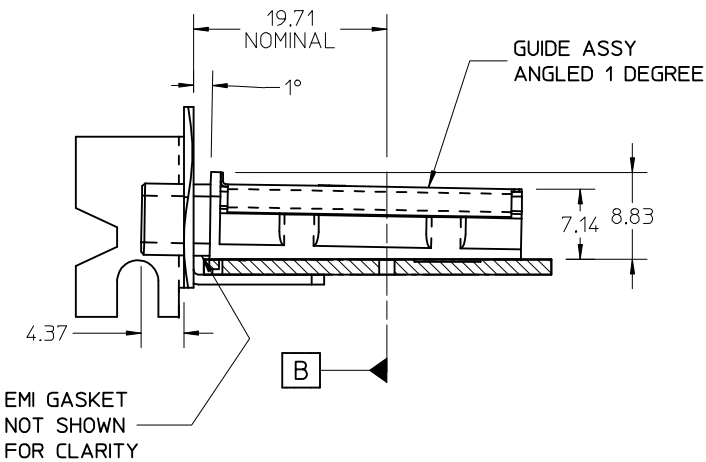
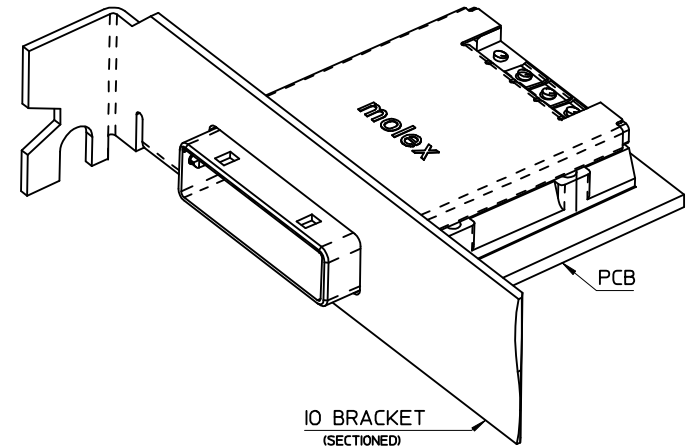
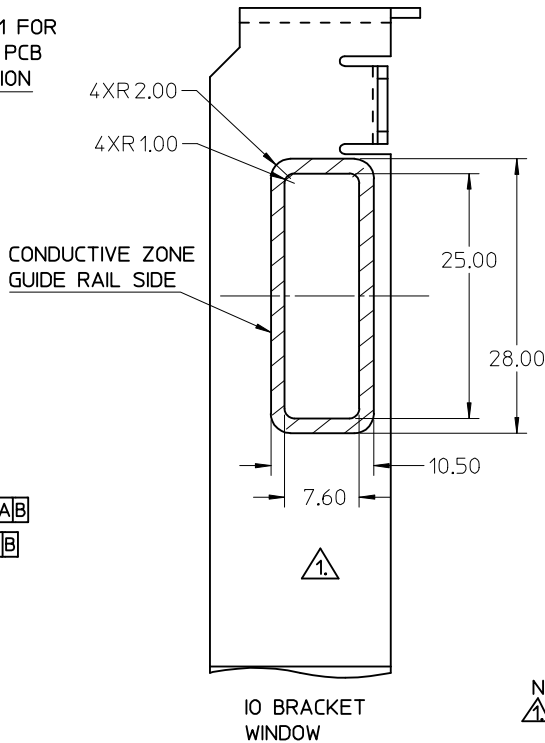
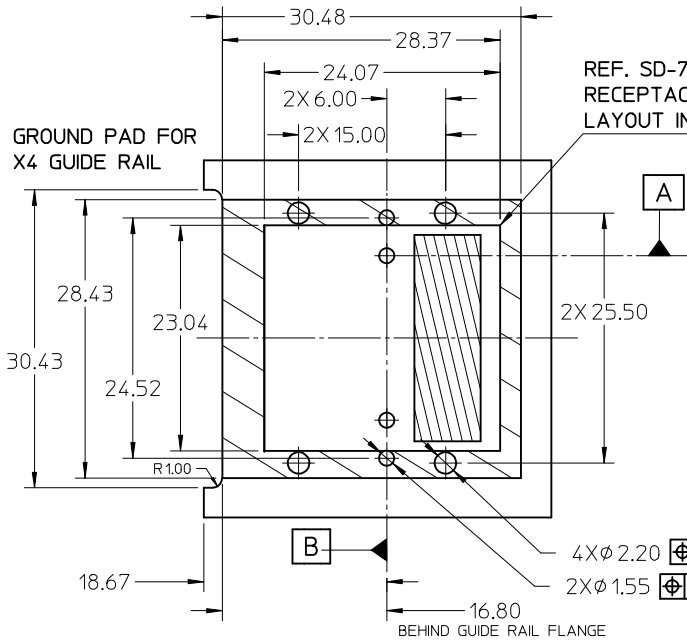


MM 3D MODEL: TM-74540-400



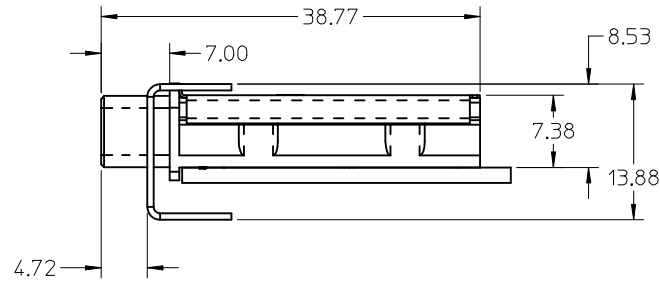
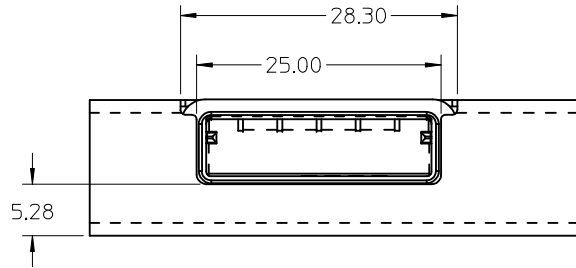
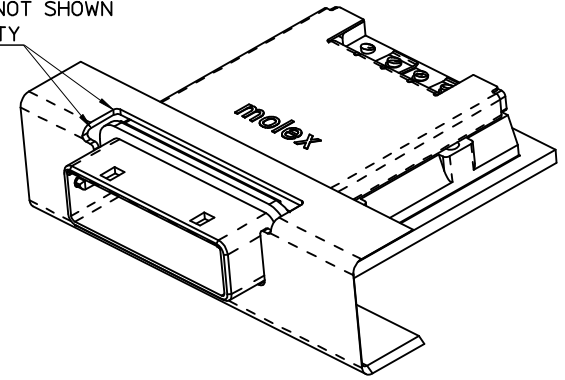
- NOTES:
- REF. PCI EXPRESS CARD ELECTROMECHANICAL SPECIFICATION, REV 1.0a FOR IO BRACKET WINDOW LOCATION.
 - PCB AND IO BRACKET SHOWN FOR REFERENCE ONLY.
 - REFER TO SHEET 2 FOR ATCA GUIDE HOUSING ASSEMBLY.
 - GUIDE HOUSING MOUNTING THREAD= M2.5 X 0.45.
 - NO RoHS EXEMPTIONS

iPass™ is a trademark of Molex.

SEE REVISION TABLE EC NO: CPG2014-3389 DRW:HLU20 2014/05/06 CHKD:RCHEM08 2014/05/06 APPR:RCHEM08 2014/09/23 REV B	QUALITY SYMBOLS $\nabla=0$ $\nabla=0$ $\nabla=0$	GENERAL TOLERANCES (UNLESS SPECIFIED) mm INCH 4 PLACES ± --- ± --- 3 PLACES ± --- ± --- 2 PLACES ± 0.05 ± --- 1 PLACE ± 0.10 ± --- 0 PLACE ± ±	DIMENSION STYLE MM ONLY DRAWN BY DATE BAREED 2005/02/03 CHECKED BY DATE DDOYE 2005/02/03 APPROVED BY DATE DDOYE 2005/02/03	SCALE 2:1 DESIGN UNITS METRIC THIRD ANGLE PROJECTION	TITLE IPASS X4 EMI GUIDE HOUSING ASSEMBLY GEN 1 molex	MATERIAL NO. SEE P/N TABLE	DOCUMENT NO. SD-74540-400	SHEET NO. 1 OF 3
	ANGULAR ± 1/2° DRAFT WHERE APPLICABLE MUST REMAIN WITHIN DIMENSIONS		THIS DRAWING CONTAINS INFORMATION THAT IS PROPRIETARY TO MOLEX INCORPORATED AND SHOULD NOT BE USED WITHOUT WRITTEN PERMISSION					

10 9 8 7 6 5 4 3 2 1

GASKETS NOT SHOWN FOR CLARITY



ADVANCED TCA
LOW PROFILE GUIDE
HOUSING ASSEMBLY

PART NUMBER	DESCRIPTION	ELASTOMERIC GASKET FLAMMABILITY RATING
74540-0400	X4 EMI GUIDE HOUSING ASSEMBLY - PCIe	
74540-0405	X4 EMI GUIDE HOUSING ASSEMBLY - PCIe	EQUATE TO UL94 V-0
74540-0500	X4 EMI GUIDE HOUSING ASSEMBLY - ATCA	

iPass™ is a trademark of Molex.

SEE REVISION TABLE EC NO: CPG2014-3389 DRAWN: LLU20 CHKD: RCHEN08 APPR: RCHEN08	2014/05/06 2014/05/06 2014/09/23	QUALITY SYMBOLS F=0 F=0 F=0	GENERAL TOLERANCES (UNLESS SPECIFIED)		DIMENSION STYLE MM ONLY		SCALE 2:1	DESIGN UNITS METRIC	THIRD ANGLE PROJECTION			
										IPASS X4 EMI GUIDE HOUSING ASSEMBLY GEN 1 molex		
SEE REVISION TABLE EC NO: CPG2014-3389 DRAWN: LLU20 CHKD: RCHEN08 APPR: RCHEN08			GENERAL TOLERANCES (UNLESS SPECIFIED) DRAFT WHERE APPLICABLE MUST REMAIN WITHIN DIMENSIONS		DIMENSION STYLE MM ONLY DRAWN BY: BAREED CHECKED BY: DDOYE APPROVED BY: DDOYE MATERIAL NO.		SCALE: 2:1 DESIGN UNITS: METRIC THIRD ANGLE PROJECTION		TITLE: IPASS X4 EMI GUIDE HOUSING ASSEMBLY GEN 1			
									SEE P/N TABLE		DOCUMENT NO. SD-74540-400	
SEE REVISION TABLE EC NO: CPG2014-3389 DRAWN: LLU20 CHKD: RCHEN08 APPR: RCHEN08			GENERAL TOLERANCES (UNLESS SPECIFIED) DRAFT WHERE APPLICABLE MUST REMAIN WITHIN DIMENSIONS		DIMENSION STYLE MM ONLY DRAWN BY: BAREED CHECKED BY: DDOYE APPROVED BY: DDOYE MATERIAL NO.		SCALE: 2:1 DESIGN UNITS: METRIC THIRD ANGLE PROJECTION		TITLE: IPASS X4 EMI GUIDE HOUSING ASSEMBLY GEN 1 molex DOCUMENT NO. SD-74540-400 SHEET NO. 2 OF 3			
					SEE P/N TABLE							

9 8 7 6 5 4 3 2 1

