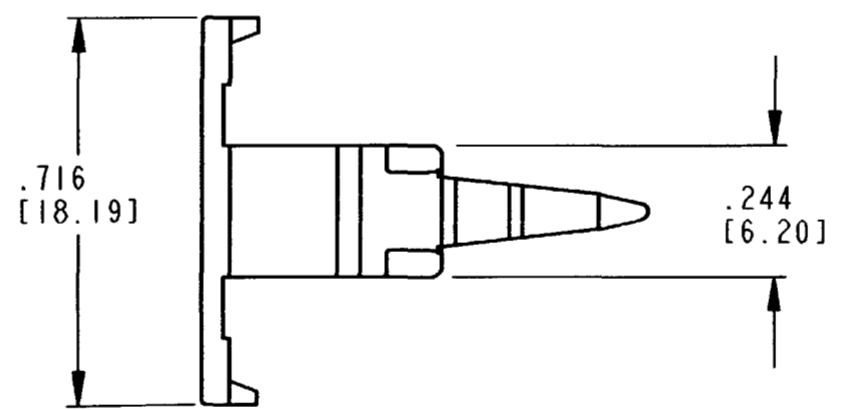
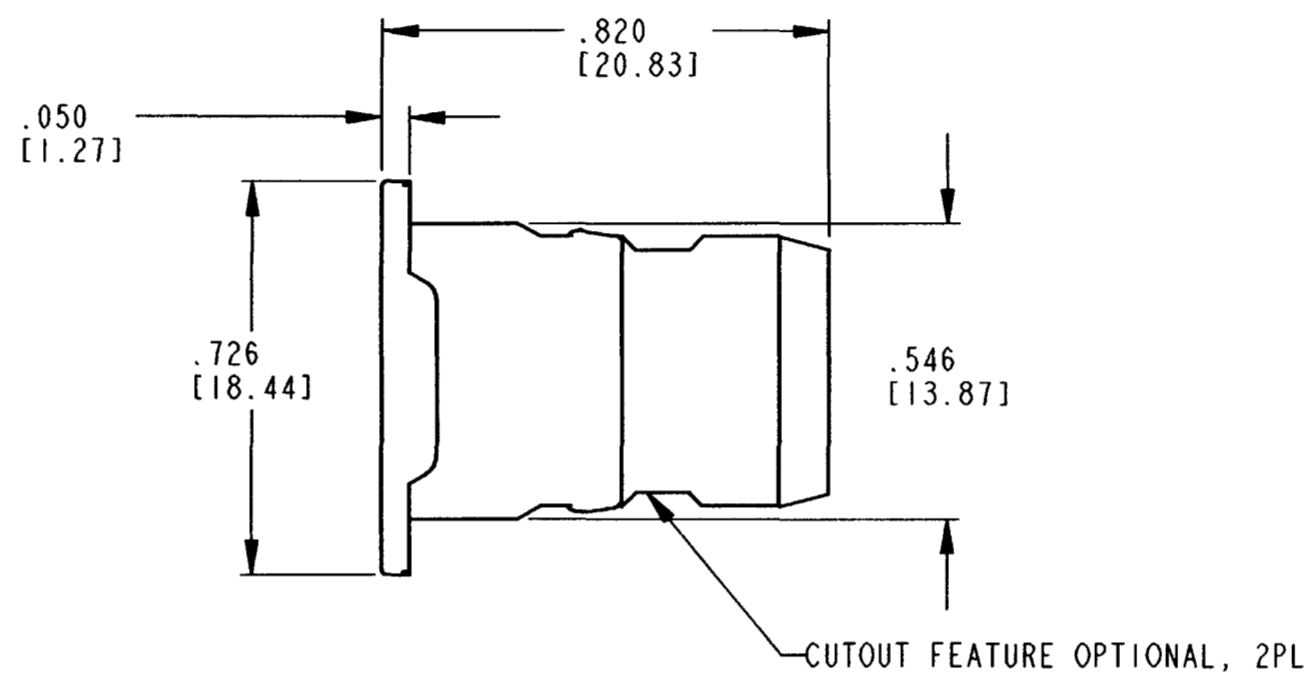
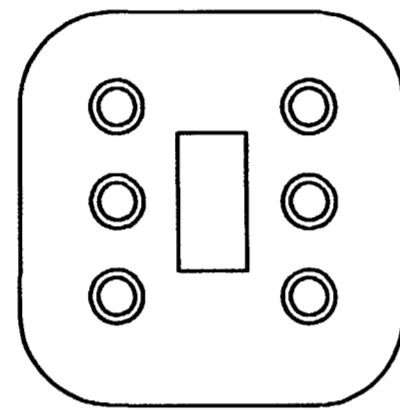


REV  
B  
W6S-P012

REVISIONS			
SYM	DESCRIPTION	DATE	APPROVED
NC	NEW RELEASE PER E.O. P15223	2/17/97	R.D.R.
A	REVISED PER E.O. P18199	6/30/03	R.D.R.
B	REVISED PER E.O. P20139	3-4-09	RDR




- 5. MATERIAL: PLASTIC; COLOR: GREEN
- 4. W6S-P012 WEDGE IS USED WITH DT06-6S-P012.
- 3. CONSULT FACTORY FOR APPLICATION.
- 2. ALL DIMENSIONS ARE  $\pm .025$  [0.64] UNLESS OTHERWISE SPECIFIED.

NOTES: 1. ALL DIMENSIONS ARE IN INCHES [MILLIMETERS].

SIGNATURE & DATE	
DR	H. TRAN FEB-6-97
CHK	<i>B. Byford</i> 3/4/09
PE	<i>K. Messinger</i> 2/16/09
APPD	<i>S. Bend</i> 3/27/09
SCALE	NONE WT

WEDGE LOCK  
FOR  
6 WAY PLUG  
DT SERIES  
  
ENVELOPE

EP	MATL. CODE
 3850 INDUSTRIAL AVE. HEMET, CA 92545	
<b>B</b>	<b>W6S-P012</b>
DWG SIZE	CODE 11139 SHEET   OF