

SERIES KC SWITCHES

ROTARY SWITCHES

TACT SWITCHES

NAVIGATION SWITCHES

PUSHBUTTON SWITCHES

TOGGLE SWITCHES

ROCKER SWITCHES

SLIDE SWITCHES

SNAP-ACTION SWITCHES

DIP SWITCHES

KEYLOCK SWITCHES

ROTARY SWITCHES

DETECTOR SWITCHES

CAP OPTIONS



FEATURES & BENEFITS

- ▶ 1 to 4 poles
- ▶ 1 to 12 positions
- ▶ No stop option

APPLICATIONS/MARKETS

- ▶ Industrial controls
- ▶ Test & instrumentation
- ▶ Appliance
- ▶ HVAC

SPECIFICATIONS

Ratings:	350 mA @ 125 VAC
	150 mA @ 250 VAC
Life Expectancy:	10,000 cycles typical
Contact Resistance:	25mΩ initial @ 2-4 VDC, 100mA
Dielectric Strength:	1,500 max V rms at sea level
Insulation Resistance:	100MΩ min.
Operating Force:	8.6 N/cm

MATERIALS

Housing, Base, Shaft:	Glass filled nylon
Contact:	Silver plated copper alloy Gold flash over silver plate
Hardware:	Nut-Zinc, nickel plated Lockwasher-Steel, zinc plated Stop ring-Brass, nickel plated



HOW TO ORDER

SERIES	MODEL NO.	ACTUATOR	ACTUATOR LENGTH	BUSHING	TIMING	TERMINATION	CONTACT MATERIAL
KC	See Model Options Table	A=Flat B=Round D=Slotted	See Actuator Option Chart	01 02*	N=Non-Short S=Shorting	P=PC Pin L=Solder Lug	S F



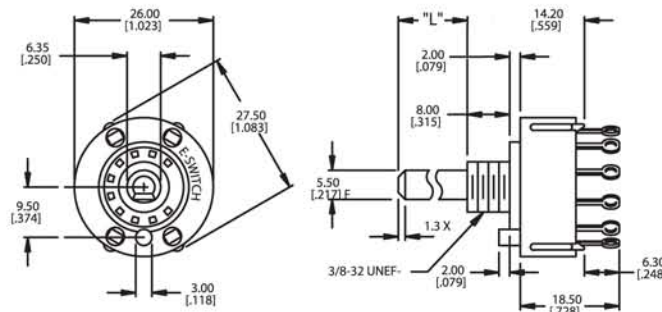
Example Ordering Number
KC-13-B-7.0-02-N-L-S

* Not available with #10 model.

Specifications subject to change without notice.

KC

GENERAL INFORMATION



MODEL NUMBER OPTIONS

(SP Models)		
Model	Sw. Func.	Terms
10	12-pos.-No stops	A, 1-12
11	ST	A, 2*
12	DT	A, 1,2*
13	3 pos.	A, 1-3*
14	4 pos.	A, 1-4*
15	5 pos.	A, 1-5*
16	6 pos.	A, 1-6*
17	7 pos.	A, 1-7
18	8 pos.	A, 1-8
19	9 pos.	A, 1-9
50	10 pos.	A, 1-10
51	11 pos.	A, 1-11
52	12 pos.	A, 1-12
53	2 pos. -60° index	A, 1,3*
54	2 pos. -90° index	A, 1,4*
55	3 pos. -60° index	A, 1,3,5*
56	3 pos. -90° index	A, 1,4,7
57	4 pos. -60° index	A,1,3,5,7
58	4 pos. -90° index	A,1,4,7,10**
59	5 pos. -60° index	A,1,3,5,7,9
60	6 pos. -60° index	A,1,3,5,7,9,11

(DP Models)		
Model	Sw. Func.	Terms
20	6-pos.-No stops	A,C,1-12
21	ST	A, C,2,8
22	DT	A,C,1,2,7,8
23	3 pos.	A,C 1-3, 7-9
24	4 pos.	A,C,1-4,7-10
25	5 pos.	A,C,1-5, 7-11
26	6 pos.	A,C,1-12
70	2 pos. 60° index	A,C,1,3,7,9
71	2 pos. 90° index	A,C,1,4,7,10
72	2 pos. 60° index	A,C,1,3,5,7,9,11

* Note: Switches with P terminations (PC pins) have additional terminal no. 9 as switch support only. This terminal is not connected electrically inside switch.

** Note: Standard with stops

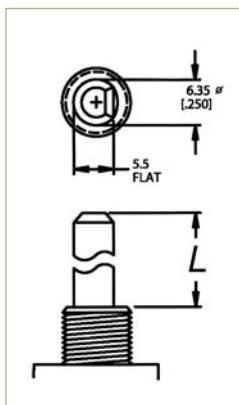
All models 30° indexing unless otherwise noted.

(3P Models)		
Model	Sw. Func.	Terms
30	4-pos.-No stops	A,B,C,1-12
31	ST	A,B,C,2,6,10
32	DT	A,B,C,1,2,5,6,9,10
33	3 pos.	A,B,C,1-3,5-7,9-11
34	4 pos.	A,B,C,1-12
80	2 pos. 60° index	A,B,C,1,3,5,7,9,11
81	2 pos. 90° index	A,B,C,1,4,5,8,9,12

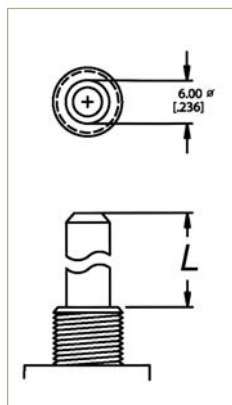
(4P Models)		
Model	Sw. Func.	Terms
40	3-pos.-No stops	all terms
41	ST	A,B,C,D,2,5,8,11
42	DT	A,B,C,D,1,2,4,5,7,8,10,11
43	3 pos.	all terms
91	2 pos. 60° index	A,B,C,D,1,3,4,6,7,9,10,12

ACTUATOR OPTIONS

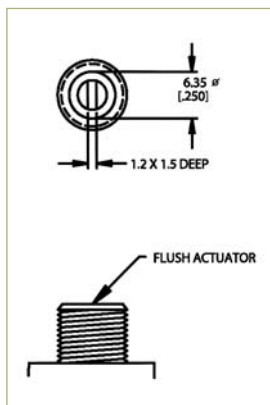
A FLAT



B ROUND



D SLOTTED

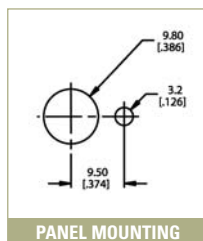
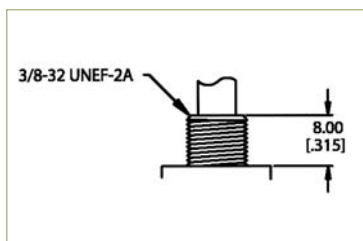


Actuator	Available Actuator Lengths (mm)					
A	30.0	38.0	9.5	7.0	10.0	13.0
B	30.0	10.0	7.0			
D	0.0					

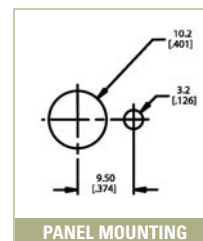
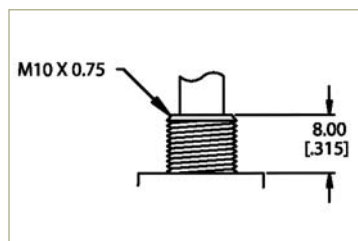
*All actuators shown in Pos. 1, fully CCW.

BUSHING OPTIONS

01 STANDARD



02 METRIC



SERIES KC SWITCHES

ROTARY SWITCHES

TACT SWITCHES

NAVIGATION SWITCHES

PUSHBUTTON SWITCHES

TOGGLE SWITCHES

ROCKER SWITCHES

SLIDE SWITCHES

SNAP-ACTION SWITCHES

DIP SWITCHES

KEYLOCK SWITCHES

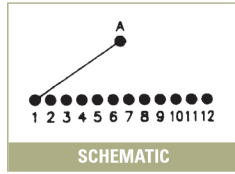
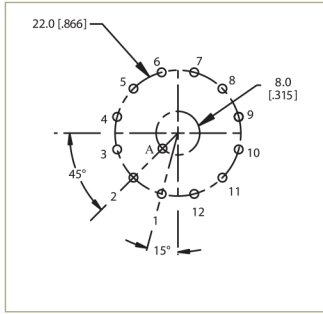
ROTARY SWITCHES

DETECTOR SWITCHES

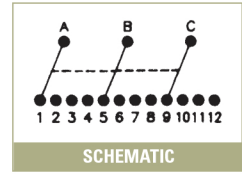
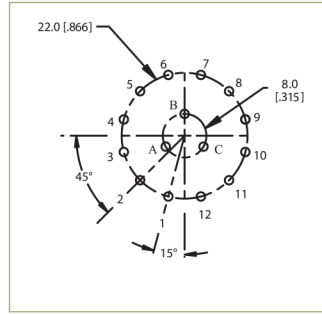
CAP OPTIONS

SCHEMATICS AND PC MOUNTING

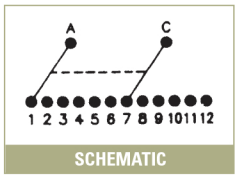
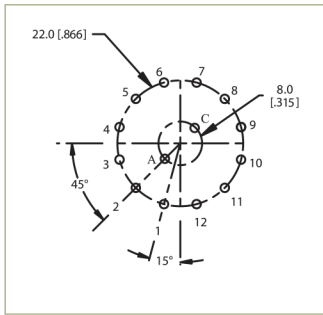
SP 1 POLE, 12 POSITIONS



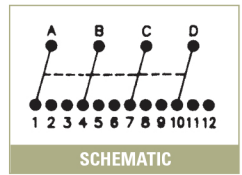
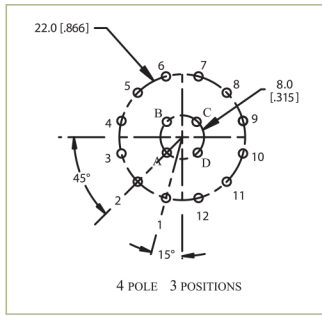
3P 3 POLE, 4 POSITIONS



DP 2 POLE, 6 POSITION



4P 4 POLE, 3 POSITIONS



TIMING OPTIONS

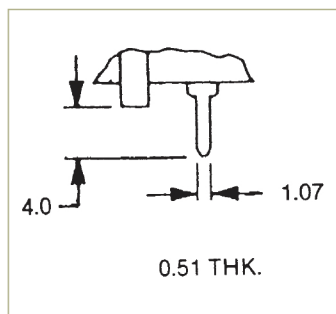
N = (STD.) Non-shorting – break before make

S = Shorting – make before break

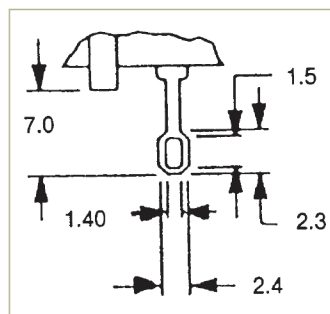
Note: (S) shorting contacts available only with 30° indexing

TERMINATION OPTIONS

P PC PIN



L SOLDER LUG



CONTACT MATERIAL OPTIONS

S = Standard Silver over copper alloy

F = Gold Flash over silver plate over copper alloy

Mouser Electronics

Authorized Distributor

Click to View Pricing, Inventory, Delivery & Lifecycle Information:

E-Switch:

[KC-43-A-30.0-01-N-P-S](#) [KC-26-A-30.0-01-N-L-S](#) [KC-26-A-30.0-01-N-P-S](#) [KC-52-A-30.0-01-N-L-S](#) [KC-34-A-13.0-01-N-L-S](#) [KC-34-A-30.0-01-N-P-S](#) [KC-58-E-01-N-P-S](#) [KC13B10.001NPF](#) [KC-58-A-30.0-01-N-P-S](#) [KC-34-A-9.5-01-N-P-S](#)
[KC-43-A-30.0-01-N-L-S](#) [KC34B10.001NPF](#) [KC34D0.001NPS](#) [KC51A30.001NPS](#) [KC14A9.501NLS](#)
[KC34A30.001NLS](#) [KC56A13.001NPF](#) [KC10A30.001NLS](#) [KC10A9.501NPF](#) [KC10B30.001NPS](#) [KC12A10.001NLS](#)
[KC13A13.001NPS](#) [KC13A9.501NPS](#) [KC13D0.001NLS](#) [KC14A30.001NPS](#) [KC14A30.001SLF](#) [KC14A38.001NPS](#)
[KC14D0.001NLS](#) [KC15A10.001NLS](#) [KC15A10.001NPS](#) [KC15A9.501NPF](#) [KC16A30.001NPS](#) [KC17A7.001NLS](#)
[KC17A9.501NPS](#) [KC18A10.001NPF](#) [KC18A9.501NPS](#) [KC19A30.001NPS](#) [KC19B10.001NPS](#) [KC23A13.001NPS](#)
[KC24A10.001NLS](#) [KC24A13.001NLS](#) [KC24B30.001SLS](#) [KC25A30.001NLS](#) [KC26A30.001SLS](#) [KC26A38.001NPF](#)
[KC26A9.501NLS](#) [KC26A9.501SPS](#) [KC26B10.001NPS](#) [KC26B30.002NPF](#) [KC33A9.501NPS](#) [KC33B7.001NLS](#)
[KC34A7.001NPF](#) [KC34A9.501NLS](#) [KC43A9.501SLS](#) [KC50B30.001NPS](#) [KC51A30.001NLS](#) [KC51A7.001NPF](#)
[KC52A13.002NPS](#) [KC52A30.001SPS](#) [KC52A38.002NPS](#) [KC52A7.001NPS](#) [KC52A9.502SPF](#) [KC52B30.001NPF](#)
[KC53A13.001NPS](#) [KC53A30.002NLS](#) [KC54A10.001NPS](#) [KC58A10.001NPS](#) [KC58A9.501NLS](#) [KC60A30.001NLS](#)
[KC52A9.501NPF](#) [KC52A9.501NPS](#) [KC52A9.501SPF](#) [KC52A9.501SPS](#) [KC52B10.001NLS](#) [KC52B10.001NPS](#)
[KC52B30.001NPS](#) [KC52B7.001SPS](#) [KC52B7.002NPS](#) [KC53A10.001NLS](#) [KC53A30.001NLS](#) [KC53A7.001NLS](#)
[KC53A7.001NPS](#) [KC54A10.001NLS](#) [KC54A10.001NPF](#) [KC54A7.001NLS](#) [KC55A10.001NPS](#) [KC55A30.001NLS](#)
[KC55A7.001NPS](#) [KC56A10.001NPF](#) [KC56A30.001NPF](#) [KC56A30.001NPS](#) [KC56A38.001NLS](#) [KC56B10.002NLS](#)
[KC57A10.001NLS](#) [KC57B10.001NLS](#) [KC58A10.002NLS](#) [KC58A13.001NLS](#) [KC58A13.001NPS](#) [KC58A30.001NLF](#)
[KC58A30.002NPS](#)