

LOC		DIST		REVISIONS			
P	LTR	DESCRIPTION	DATE	DWN	APVD		
E		REV PER ECO 15-005911	5-28-15	CT	DM		

- THIS CONNECTOR ASSEMBLY IS SUPPLIED WITH METAL CONTACT RETENTION CLIPS INSTALLED IN THE INSERT ASSEMBLY.
- THIS CONNECTOR ASSEMBLY MEETS THE REQUIREMENTS OF LORAL SPEC 010772 AND MATES WITH ANY PLUG CONNECTOR WITH SAME INSERT ARRANGEMENT.
- MARK WITH .047 [1.19]-.062 [1.57] HIGH CHARACTERS. FAR SIDE REFERS TO THE WIDE SIDE OF THE KEYSTONE. NEAR SIDE REFERS TO THE NARROW SIDE OF THE KEYSTONE. IF THE REAR SHELL IS TOO SMALL FOR THE ENTIRE CUSTOMER PART NUMBER, MARKING SHALL BE LOCATED AS FOLLOWS:
 - CUSTOMER BASE NUMBER, ON FRONT SHELL, FAR SIDE.
 - CUSTOMER DASH NUMBER ON REAR SHELL, FAR SIDE.
 - "AMP" AND DATE CODE ON FRONT SHELL, NEAR SIDE.
 - AMP PART NUMBER ON REAR SHELL, NEAR SIDE.
- POINT OF ELECTRICAL ENGAGEMENT - AS MEASURED WITH A .039 [0.99] - .041 [1.04] DIAMETER SQUARE ENDED TEST PIN. CONTACT SHOWN INSTALLED FOR DIMENSIONAL REFERENCE ONLY.
- MAXIMUM WIRE INSULATION TO BE USED WITH THIS CONNECTOR ASSEMBLY IS .072 [1.83] DIAMETER.
- FOR CONTACT CRIMPING INSTRUCTION SHEET REFER TO AMP IS 7516. FOR CONTACT INSTALLATION AND REMOVAL INSTRUCTION SHEET REFER TO AMP IS 7508.
- DIMENSIONS AND TOLERANCES PER ANSI Y14.5M-1982.
- THIS DRAWING SHALL BE INTERPRETED IN ACCORDANCE WITH APPLICABLE STANDARDS LISTED IN MIL-STD-100.

PRELIMINARY-NOT RELEASED FOR PRODUCTION	.040 [1.02] .020 [0.51]	.432 [10.97] .412 [10.46]	1.093 [27.76] 1.073 [27.25]	.248 [6.30] .238 [6.05]	.439 [11.15] .419 [10.64]	.509 [12.93] .479 [12.17]	.316 [8.03] .306 [7.77]	1.317 [33.45] 1.307 [33.20]	.976 [24.79] .966 [24.54]	1.556 [39.52] 1.526 [38.76]	MS18274-1	15	2	B010772-0043	3-448816-2	3-448816-2
PRELIMINARY-NOT RELEASED FOR PRODUCTION	.049 [1.24] .029 [0.74]	.544 [13.82] .524 [13.31]	2.188 [55.58] 2.168 [55.07]			.620 [15.75] .590 [14.99]	.428 [10.87] .418 [10.62]	2.411 [61.24] 2.401 [60.99]	2.069 [52.55] 2.059 [52.30]	2.650 [67.31] 2.620 [66.55]	MS18277-1	50	5	B010772-0032	1-448816-5	1-448816-5
PRELIMINARY-NOT RELEASED FOR PRODUCTION			2.282 [57.96] 2.262 [57.45]	.248 [6.30] .238 [6.05]	.439 [11.15] .419 [10.64]			2.505 [63.63] 2.495 [63.37]	2.164 [54.97] 2.154 [54.71]	2.744 [69.70] 2.714 [68.94]	MS18276-1	37	4	B010772-0030	1-448816-4	1-448816-4
PRELIMINARY-NOT RELEASED FOR PRODUCTION	.040 [1.02] .020 [0.51]	.432 [10.97] .412 [10.46]	1.635 [41.53] 1.615 [41.02]	.248 [6.30] .238 [6.05]	.439 [11.15] .419 [10.64]	.509 [12.93] .479 [12.17]	.316 [8.03] .306 [7.77]	1.857 [47.17] 1.847 [46.91]	1.516 [38.51] 1.506 [38.25]	2.103 [53.42] 2.073 [52.65]	MS18275-1	25	3	B010772-0028	1-448816-3	1-448816-3
PRELIMINARY-NOT RELEASED FOR PRODUCTION			1.093 [27.76] 1.073 [27.25]					1.317 [33.45] 1.307 [33.20]	.976 [24.79] .966 [24.54]	1.556 [39.52] 1.526 [38.76]	MS18274-1	15	2	B010772-0026	1-448816-2	1-448816-2
			.769 [19.53] .749 [19.02]					.989 [25.12] .979 [24.87]	.648 [16.46] .638 [16.21]	1.228 [31.19] 1.198 [30.43]	MS18273-1	9	1	B010772-0024	1-448816-1	1-448816-1
	.049 [1.24] .029 [0.74]	.544 [13.82] .524 [13.31]	2.188 [55.58] 2.168 [55.07]			.620 [15.75] .590 [14.99]	.428 [10.87] .418 [10.62]	2.411 [61.24] 2.401 [60.99]	2.069 [52.55] 2.059 [52.30]	2.650 [67.31] 2.620 [66.55]	MS18277-1	50	5	A010772-0010	1-448816-0	1-448816-0
			2.282 [57.96] 2.262 [57.45]	.248 [6.30] .238 [6.05]	.439 [11.15] .419 [10.64]			2.505 [63.63] 2.495 [63.37]	2.164 [54.97] 2.154 [54.71]	2.744 [69.70] 2.714 [68.94]	MS18276-1	37	4	A010772-0008	448816-9	448816-9
		.432 [10.97] .412 [10.46]	1.635 [41.53] 1.615 [41.02]	.248 [6.30] .238 [6.05]	.439 [11.15] .419 [10.64]	.509 [12.93] .479 [12.17]	.316 [8.03] .306 [7.77]	1.857 [47.17] 1.847 [46.91]	1.516 [38.51] 1.506 [38.25]	2.103 [53.42] 2.073 [52.65]	MS18275-1	25	3	A010772-0006	448816-8	448816-8
	.040 [1.02] .020 [0.51]		1.093 [27.76] 1.073 [27.25]					1.317 [33.45] 1.307 [33.20]	.976 [24.79] .966 [24.54]	1.556 [39.52] 1.526 [38.76]	MS18274-1	15	2	A010772-0004	448816-7	448816-7
			.769 [19.53] .749 [19.02]					.989 [25.12] .979 [24.87]	.648 [16.46] .638 [16.21]	1.228 [31.19] 1.198 [30.43]	MS18273-1	9	1	A010772-0002	448816-6	448816-6
	.049 [1.24] .029 [0.74]	.544 [13.82] .524 [13.31]	2.188 [55.58] 2.168 [55.07]			.620 [15.75] .590 [14.99]	.428 [10.87] .418 [10.62]	2.411 [61.24] 2.401 [60.99]	2.069 [52.55] 2.059 [52.30]	2.650 [67.31] 2.620 [66.55]	MS18277-1	50	5	B010772-0010	448816-5	448816-5
			2.282 [57.96] 2.262 [57.45]	.248 [6.30] .238 [6.05]	.439 [11.15] .419 [10.64]			2.505 [63.63] 2.495 [63.37]	2.164 [54.97] 2.154 [54.71]	2.744 [69.70] 2.714 [68.94]	MS18276-1	37	4	B010772-0008	448816-4	448816-4
		.432 [10.97] .412 [10.46]	1.635 [41.53] 1.615 [41.02]	.248 [6.30] .238 [6.05]	.439 [11.15] .419 [10.64]	.509 [12.93] .479 [12.17]	.316 [8.03] .306 [7.77]	1.857 [47.17] 1.847 [46.91]	1.516 [38.51] 1.506 [38.25]	2.103 [53.42] 2.073 [52.65]	MS18275-1	25	3	B010772-0006	448816-3	448816-3
	.040 [1.02] .020 [0.51]		1.093 [27.76] 1.073 [27.25]					1.317 [33.45] 1.307 [33.20]	.976 [24.79] .966 [24.54]	1.556 [39.52] 1.526 [38.76]	MS18274-1	15	2	B010772-0004	448816-2	448816-2
			.769 [19.53] .749 [19.02]					.989 [25.12] .979 [24.87]	.648 [16.46] .638 [16.21]	1.228 [31.19] 1.198 [30.43]	MS18273-1	9	1	B010772-0002	448816-1	448816-1
L	J	H	G	F	E	D	C	B	A		INSERT ARRANGEMENT	NO OF POS	SHELL SIZE	CUSTOMER P/N ON CONNECTOR	AMP P/N ON CONNECTOR	PART NUMBER

THIS DRAWING IS A CONTROLLED DOCUMENT.

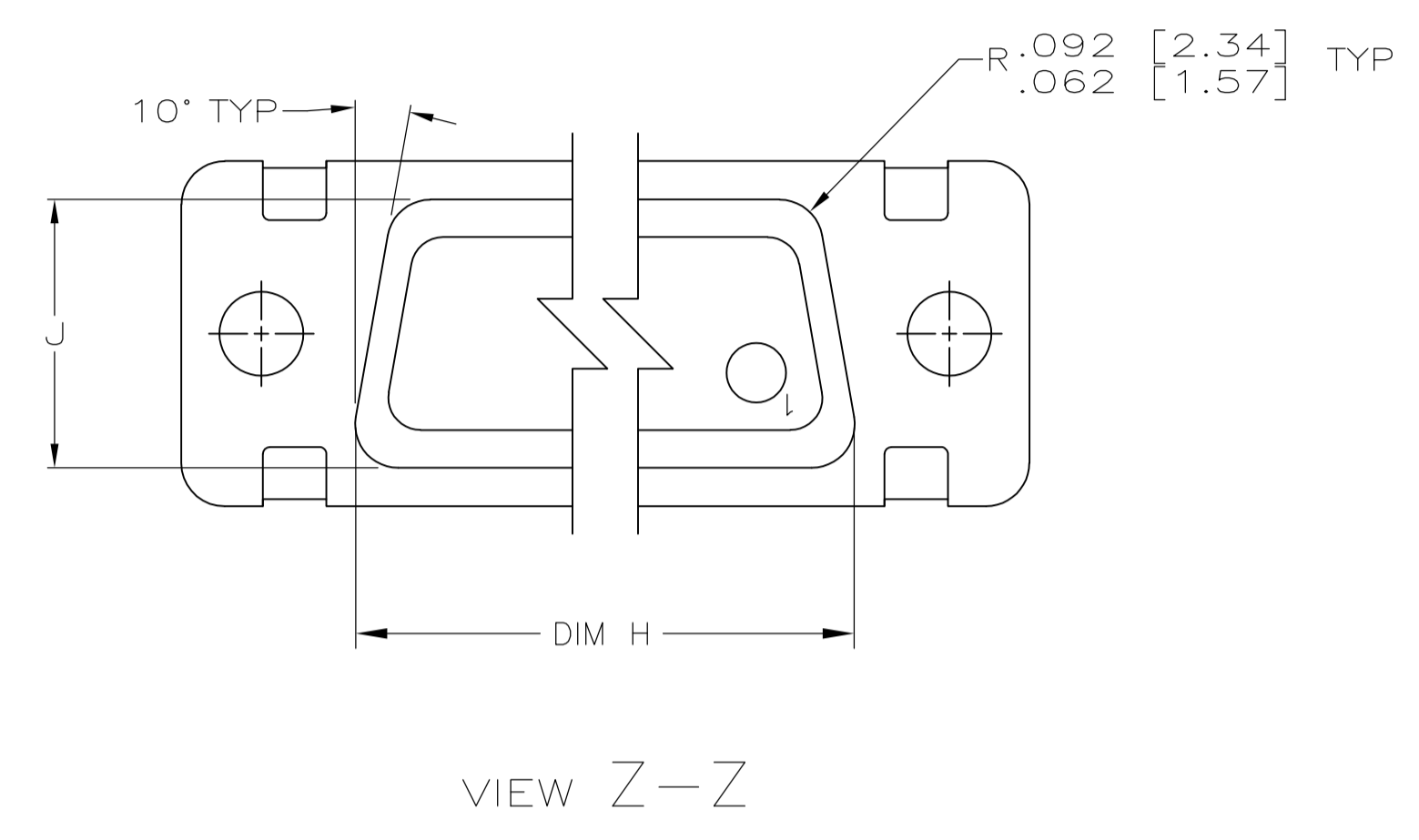
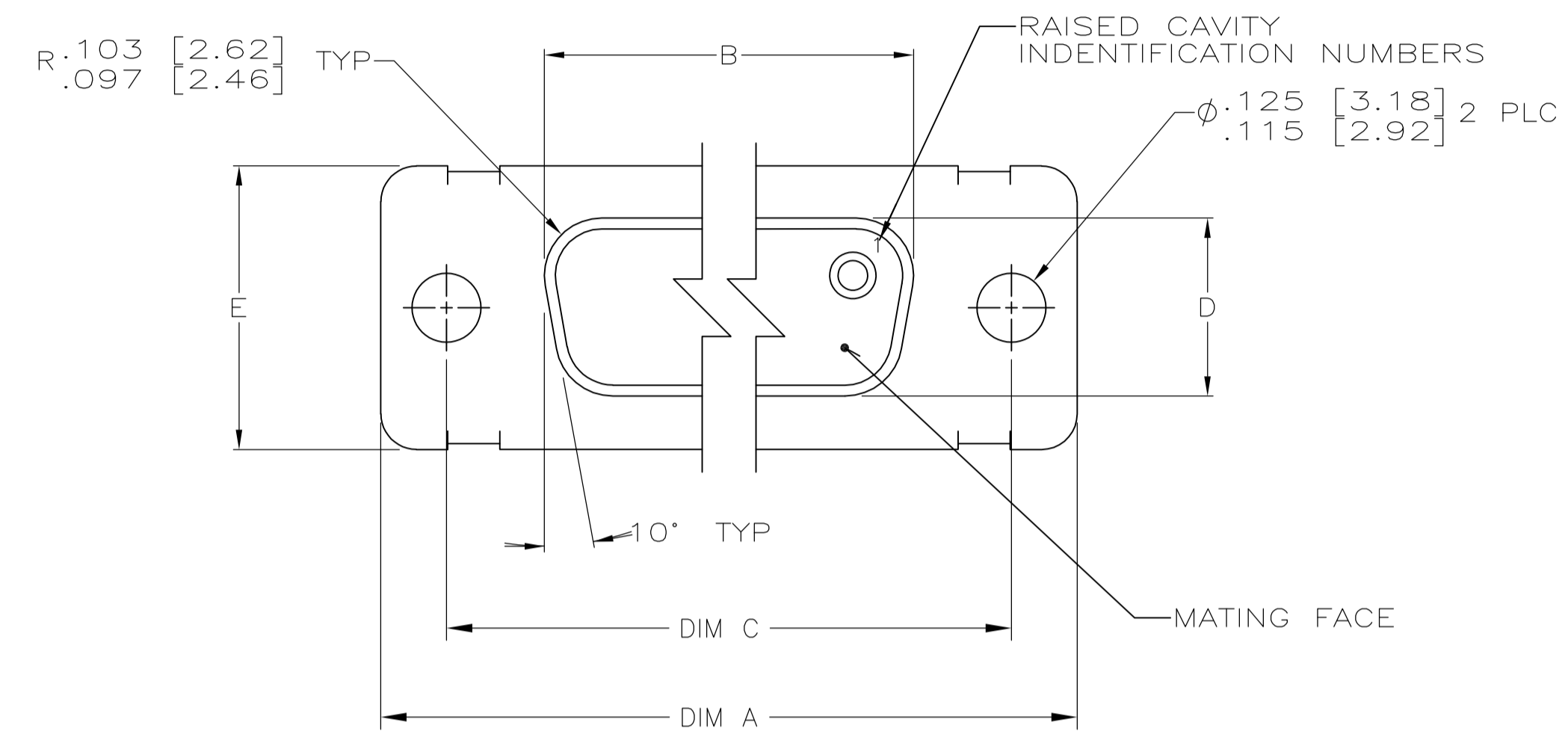
DIMENSIONS: INCHES	TOLERANCES UNLESS OTHERWISE SPECIFIED:	DWN: AJ GRAFF 2-11-93	APVD: F. KINSEY 2-17-93	NAME: AMPLITE NONMAGNETIC RECEPTACLE ASSY WITH SIZE 20 CRIMP TYPE SOCKET CONTACTS SERIES 109, SHELL SIZES 1 THRU 5
0 PLC ± .005	1 PLC ± .005	2 PLC ± .005	3 PLC ± .005	4 PLC ± .005
ANGLES ± .1°		WEIGHT: —	SIZE: A1	SCALE: 4:1
MATERIAL: SEE CALLOUTS	FINISH: SEE CALLOUTS	CUSTOMER DRAWING	00779	448816

STE TE Connectivity

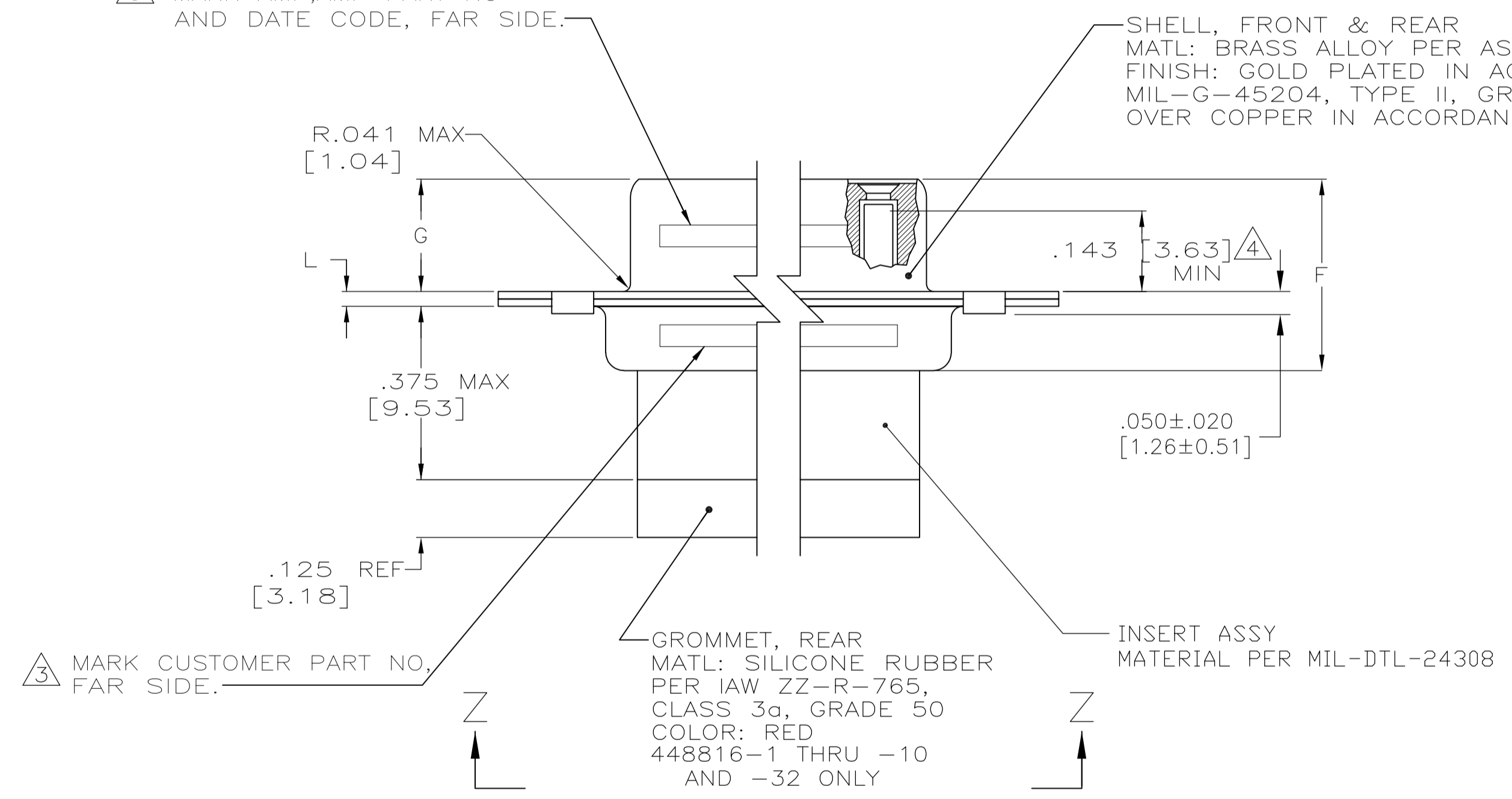
RESTRICTED TO: —

SHEET 1 OF 2

LOC		DIST		REVISIONS			
P	LYR	DESCRIPTION	DATE	DNW	APVD		
-	-	SEE SHEET 1	-	-	-	-	-



3 MARK AMP, AMP PART NO AND DATE CODE, FAR SIDE.

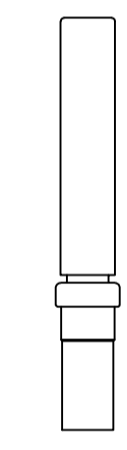


SHELL, FRONT & REAR
MATL: BRASS ALLOY PER ASTM B 36
FINISH: GOLD PLATED IN ACCORDANCE WITH MIL-G-45204, TYPE II, GRADE C, CLASS 1 OVER COPPER IN ACCORDANCE WITH MIL-C-14550.

GROMMET, REAR
MATL: SILICONE RUBBER PER IAW ZZ-R-765, CLASS 3a, GRADE 50 COLOR: RED 448816-1 THRU -10 AND -32 ONLY

INSERT ASSY MATERIAL PER MIL-DTL-24308

3 MARK CUSTOMER PART NO, FAR SIDE.



CONTACT
AMP P/N 206793-1 (AWG 20-24)
OR 206795-1 (AWG 26-28)

THIS DRAWING IS A CONTROLLED DOCUMENT.		DNW AJ GRAFF 2-11-93	STE TE Connectivity	
DIMENSIONS: INCHES		CHK F. KINSEY 2-17-93	NAME	
TOLERANCES UNLESS OTHERWISE SPECIFIED:		APVD	PRODUCT SPEC	
0 PLC ± -	1 PLC ± -	MIL-C-24308		
2 PLC ± -	3 PLC ± -	APPLICATION SPEC		
4 PLC ± -	ANGLES ± -	SIZE	CAGE CODE	DRAWING NO
MATERIAL SEE CALLOUTS	FINISH SEE CALLOUTS	WEIGHT	A1 00779	448816
CUSTOMER DRAWING		SCALE	SHEET	REV
		4:1	2 OF 2	E

Mouser Electronics

Authorized Distributor

Click to View Pricing, Inventory, Delivery & Lifecycle Information:

[TE Connectivity:](#)

[448816-1](#)