

4

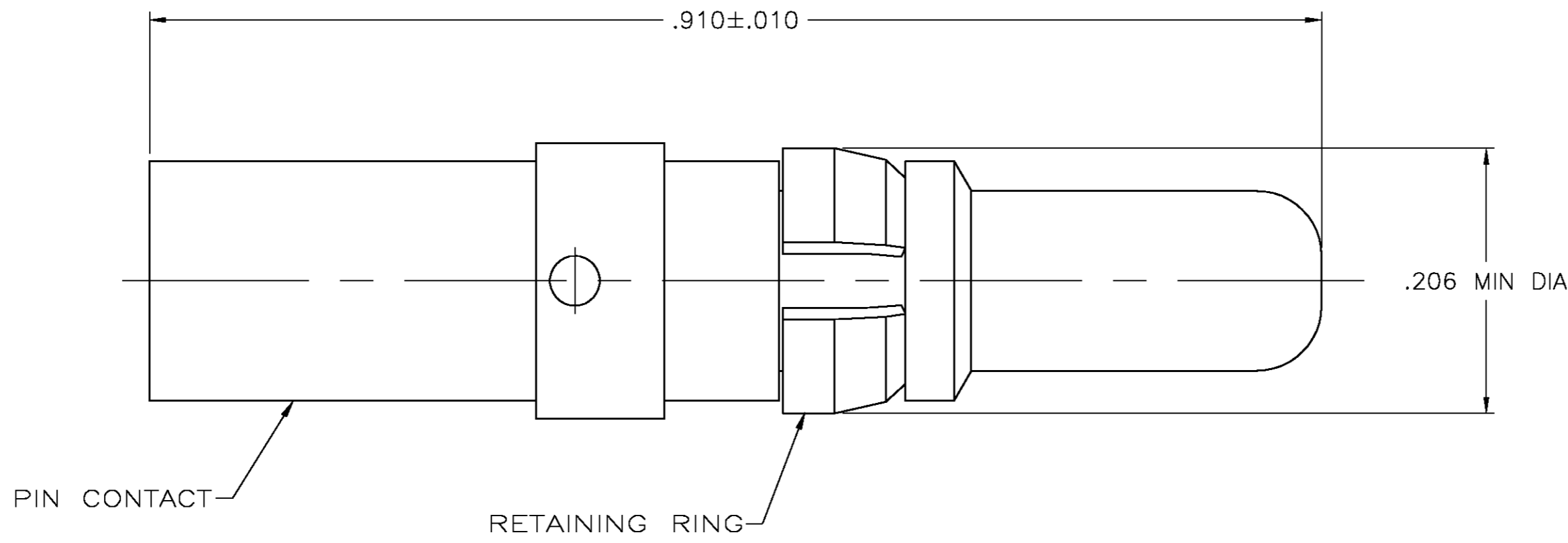
3

2

1

THIS DRAWING IS UNPUBLISHED. RELEASED FOR PUBLICATION  
 © COPYRIGHT BY TYCO ELECTRONICS CORPORATION. ALL RIGHTS RESERVED.

LOC	DIST	REVISIONS					
FT	0	P	LTR	DESCRIPTION	DATE	DWN	APVD
		D		REVISED PER 0G3B-0008-04	1/12/04	SS	GS



213740-1  
 PART NUMBER

- 1 BRASS.
- 2 PHOSPHOR BRONZE.
- 3 0.76 μm [.000030] MIN GOLD OVER 1.27 μm [.000050] MIN NICKEL.
- 4 2.54 μm [.000100] MIN NICKEL.

THIS DRAWING IS A CONTROLLED DOCUMENT.		DWN	L.SIPE	01/23/92	 Tyco Electronics Corporation Harrisburg, PA 17105
DIMENSIONS: INCHES		CHK	R.STONE	2-7-92	
TOLERANCES UNLESS OTHERWISE SPECIFIED:		APVD	NAME		
0 PLC ± - 1 PLC ± - 2 PLC ± - 3 PLC ± .005 4 PLC ± - ANGLES ± -		PRODUCT SPEC		PIN CONTACT ASSEMBLY, #10 AWG, POWER VIII, METRIMATE	
MATERIAL		APPLICATION SPEC		SIZE CAGE CODE DRAWING NO	
PIN CONTACT: 1		114-10014		A2 00779 C=213740	
RETAINING RING: 2		WEIGHT		RESTRICTED TO	
RETAINING RING: 4		CUSTOMER DRAWING		-	
		SCALE 10:1		SHEET 1 OF 1 REV D	

213740

# Mouser Electronics

Authorized Distributor

Click to View Pricing, Inventory, Delivery & Lifecycle Information:

[TE Connectivity:](#)

[213740-1](#)