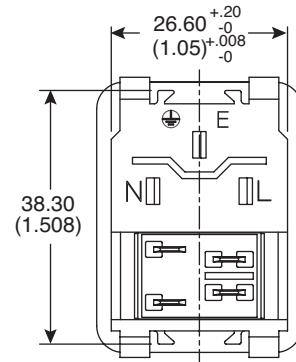
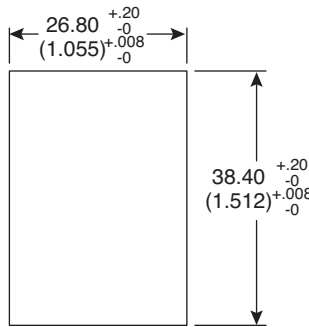
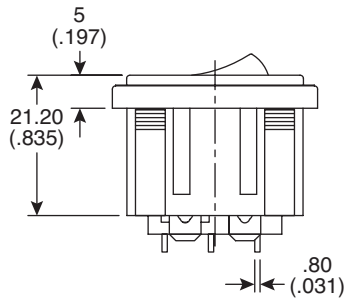
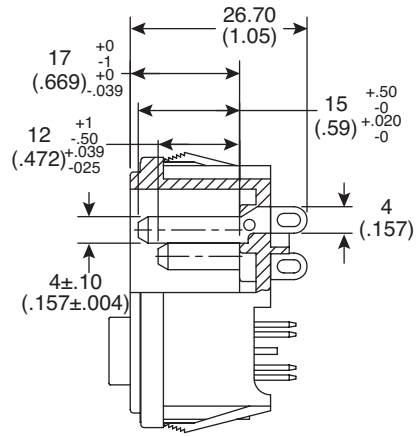
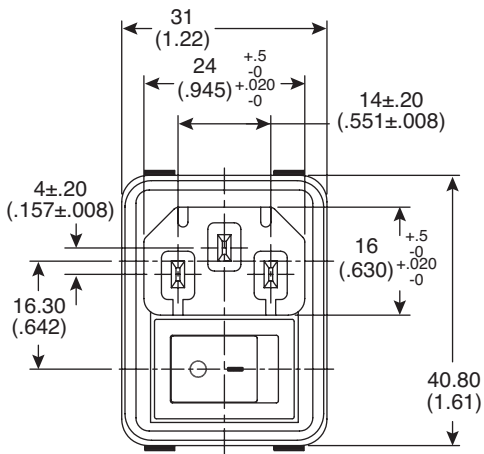


# Inlet with Switch

161-R30161-E

**KOBI**CONN

Inlet with Switch



Dimensions: mm (in.)

SPECIFICATIONS	
<b>Insulation Resistance:</b>	Over 100MΩ at 500V DC
<b>Dielectric Strength:</b>	2000V AC 1 minute
<b>Body Material:</b>	Thermoplastic
<b>RoHS Compliant</b>	

Date Last Revised: 6-29-12

Available from Mouser Electronics  
1-800-346-6873 / www.mouser.com

KC-301224

161-R30161-E

# Mouser Electronics

Authorized Distributor

Click to View Pricing, Inventory, Delivery & Lifecycle Information:

[Kobiconn:](#)

[161-R30161-E](#)