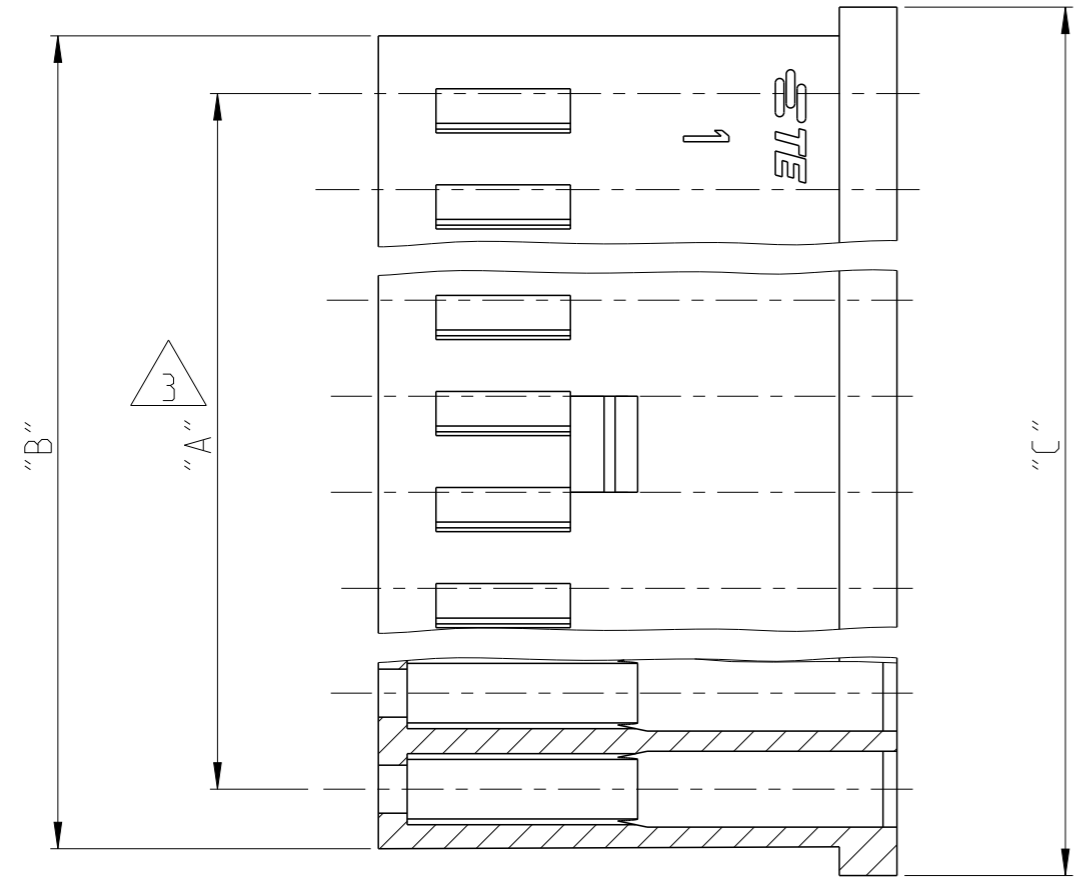
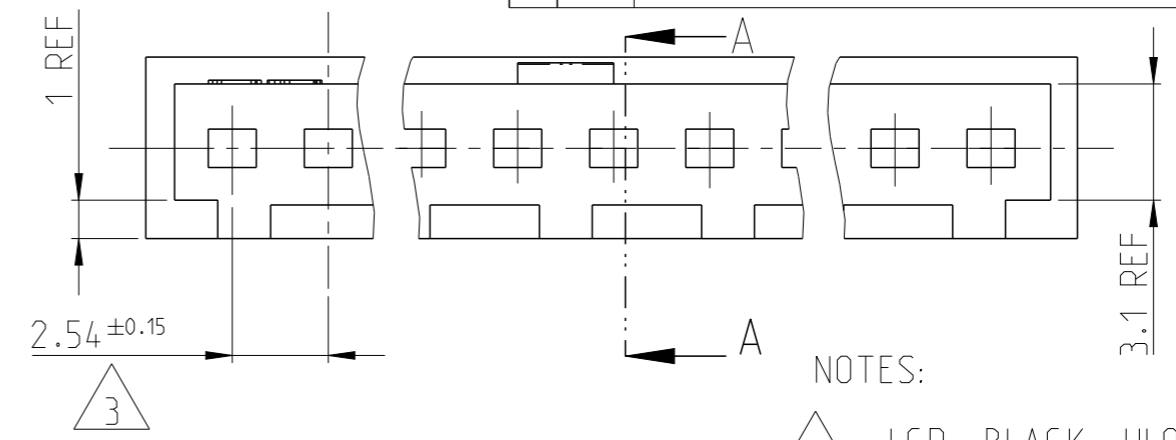
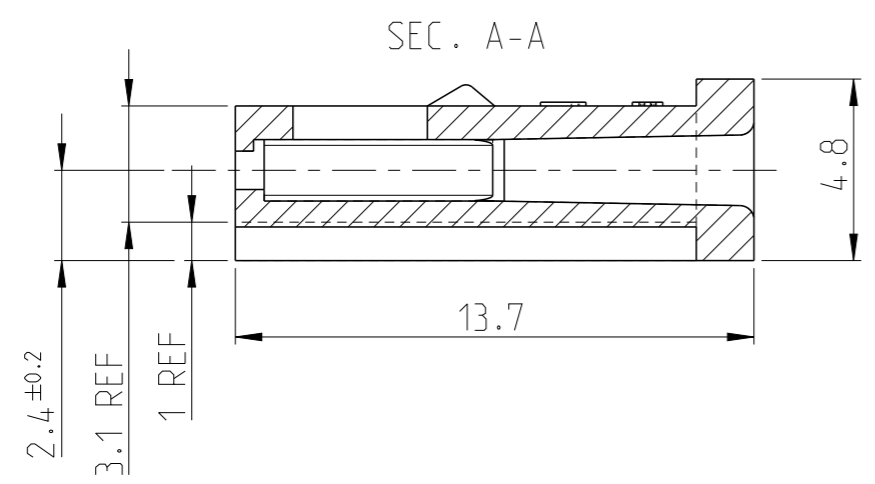


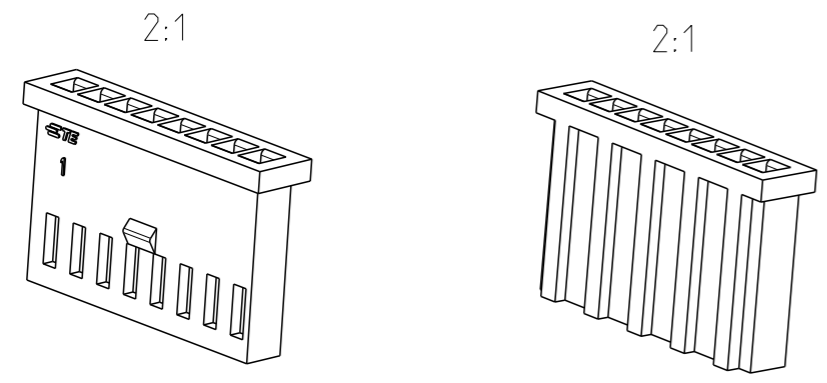
THIS DRAWING IS UNPUBLISHED. RELEASED FOR PUBLICATION 20
© COPYRIGHT 20 BY - ALL RIGHTS RESERVED.

REVISIONS					
P	LTR	DESCRIPTION	DATE	DWN	APVD
Z		MATERIAL CHANGE TO LCP	15OCT2018	KJK	PS



- NOTES:
- 1 LCP, BLACK, UL94V-0
 - 2 NORYL SE-1 RED COLOUR
 - 3 NON CUMULATIVE TOLERANCE
 - 4 PERMITTED FLASH 0.25mm MAX

OBSOLETE	4	1-280359-0	7.62	10.6	12.2	2
	2	1-280358-0	2.54	5.6	7.1	
	22	280364	53.34	56.4	57.9	1
	15	280363	35.56	38.6	40.1	
	12	280514	27.94	31.0	32.5	
	10	280362	22.86	25.9	27.4	
	9	280512	20.32	23.3	24.9	
	8	280361	17.78	20.8	22.3	
	6	280360	12.70	15.7	17.3	
	4	280359	7.62	10.6	12.2	
	2	280358	2.54	5.6	7.1	
NUM OF POS.		PART NUMBER	DIM "A"	DIM "B"	DIM "C"	MATERIAL (SEE NOTE)



THIS DRAWING IS A CONTROLLED DOCUMENT.		DWN KARTHIK 20MAR2018	 TE Connectivity	NAME		
DIMENSIONS: mm		CHK SHARATH S 15OCT2018		AMPMODU II REC. HSG		
TOLERANCES UNLESS OTHERWISE SPECIFIED: ±0.3		APVD PRASHANTH S 15OCT2018		SINGLE ROW, CRIMP ON- SNAP IN		
0 PLC ± 1 PLC ± 2 PLC ± 3 PLC ± 4 PLC ± ANGLES ±2° FINISH -		PRODUCT SPEC 108-20025		SIZE A3	CAGE CODE 00779	DRAWING NO C-280358
MATERIAL -		APPLICATION SPEC 114-20004	SCALE 5:1		SHEET 1 OF 1	REV Z
		WEIGHT -	CUSTOMER DRAWING			

Mouser Electronics

Authorized Distributor

Click to View Pricing, Inventory, Delivery & Lifecycle Information:

[TE Connectivity:](#)

[280359](#)