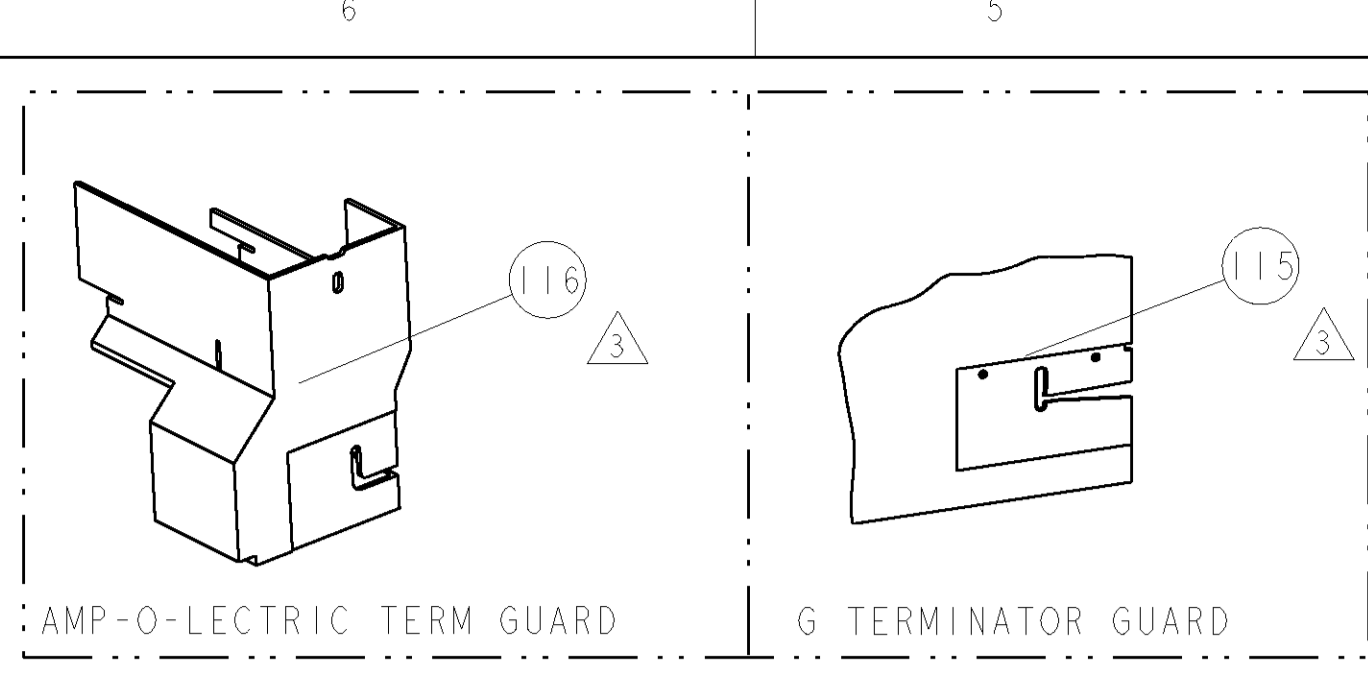


PART NUMBER	REV	FIRST USED	POWER UNIT	FEED TYPE	DESCRIPTION
1855137-1	A	122500-1	LEADMAKER	AIR FEED	CUTS CARRIER
1855137-2	A	565435-5	BENCH MODEL K	AIR FEED	CUTS CARRIER
1855137-3	A	354500-1	BENCH MODEL G	AIR FEED	CUTS CARRIER
1855137-6	A	122500-1	LEADMAKER	AIR FEED	CONTINUOUS CARRIER
7-1855137-7	A	-	-	-	SPARE PARTS

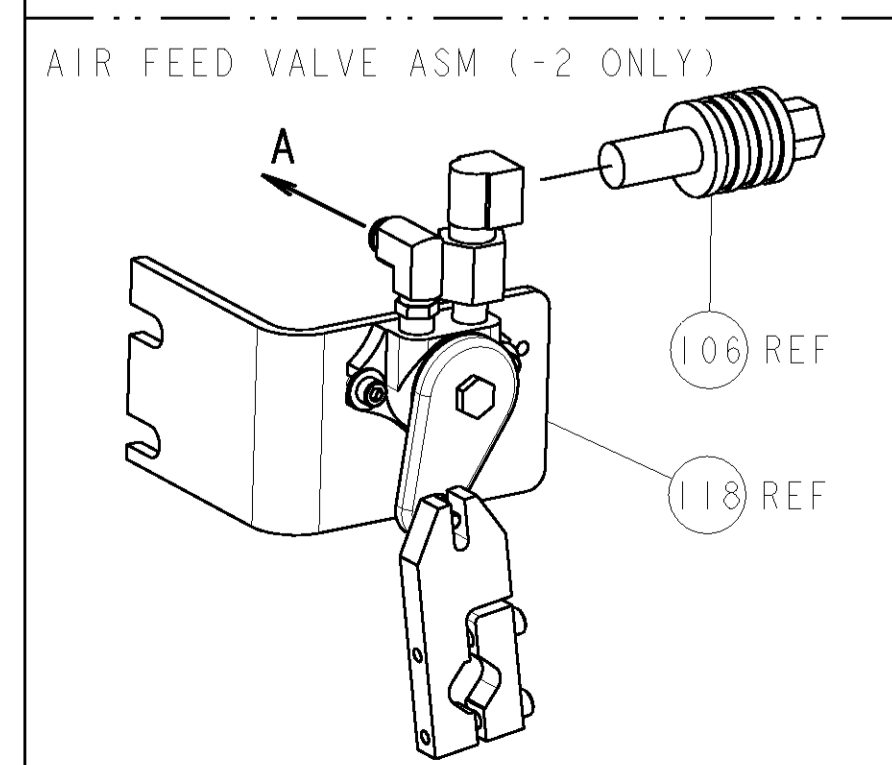
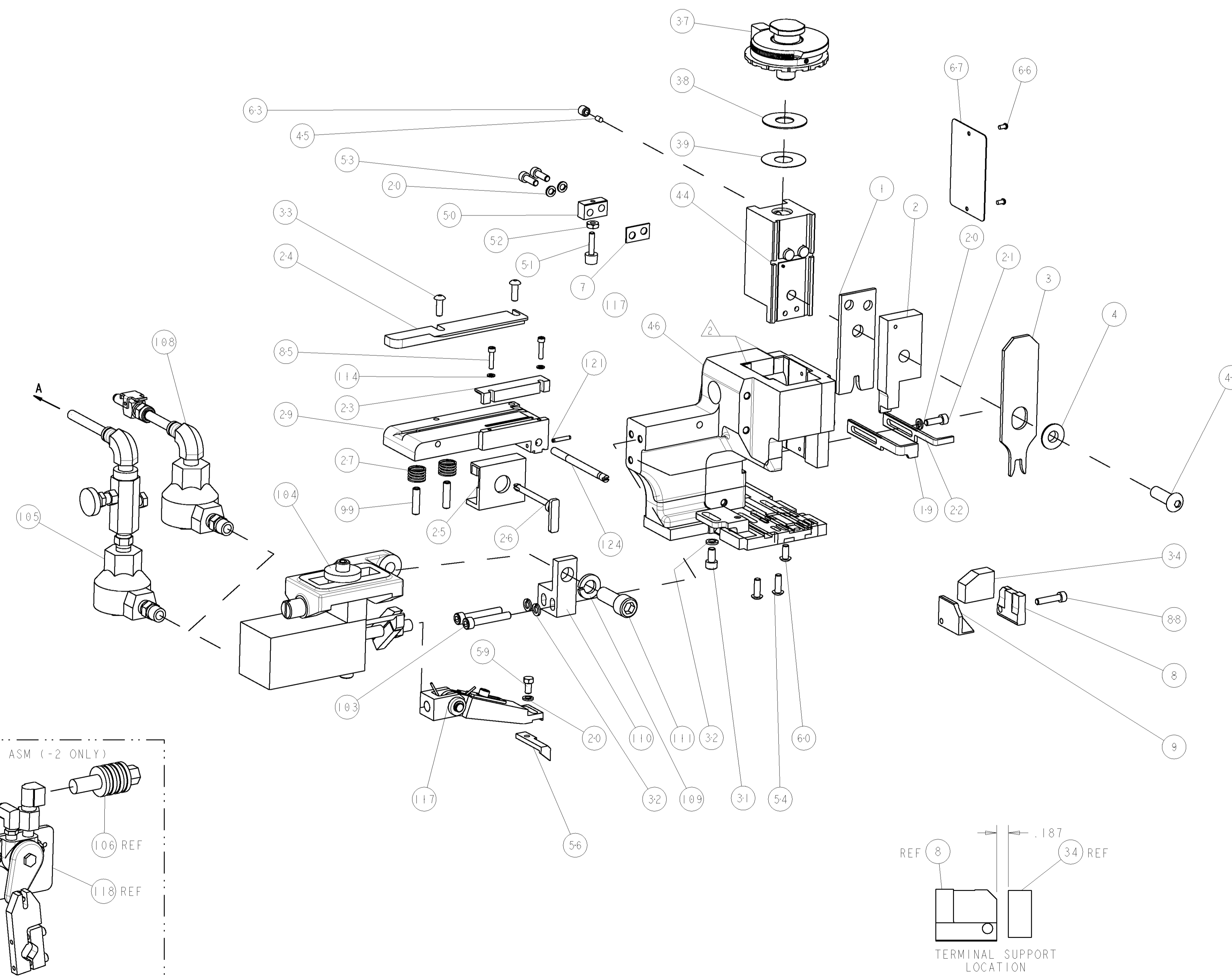


TERMINAL NAME: TAXI TERM F M/P 280			
AMP	PACKARD	PACKARD TERMINAL - AMP CRIMP SPECS	
286711	12110647		
-	-	CRIMP HEIGHT	WIRE SIZE
-	-	.098±.002 [2.49±0.05mm]	10AWG
-	-	-	-
-	-	-	-
-	-	CRIMP	SIZE
-	-	WIRE	.150 [3.81mm]
-	-	INSUL	.220 [5.59mm]
-	-	FEED	.640
-	-	APPLICATOR INSTRUCTIONS	408-8040
-	-	SET UP GAGE	458637-1

LOC	DIST	REV	DESCRIPTION	DATE	OWN	APVD
A	66	A	RELEASED	04DEC2006	RK	GB
		A1	ECR-09-005818	12MAR2009	MY	TE

- △ RECOMMENDED SPARE PARTS
- △ GREASE LIGHTLY
- △ GUARD MUST BE IN PLACE WHEN OPERATING APPLICATOR IN A BENCH MACHINE

**\* WARNING**  
ON INSTALLATION, SET WIRE DISC TO LARGEST WIRE SIZE SETTING. USE OF SETTINGS BELOW MIN. REQUIRED CRIMP HEIGHT SETTING WILL CAUSE DAMAGE TO CRIMP TOOLING.



QTY	DESCRIPTION	PART NO	ITEM NO
-	ADJUSTMENT SCREW	690432-3	124
-	PIN, SLOTTED SPRING .094 X .562	3-21028-7	121
-	AIR FEED VALVE ASSEMBLY	692655-6	118
-	FEED FINGER ASSEMBLY	461062-1	117
-	GUARD WINDOW	455749-1	116
-	INSERT, GUARD	679532-1	115
-	WASHER, SPRG LOCK, REG NO 4	21024-2	114
-	SCR, SKT HD CAP 3/8-16 X 1.000	3-21001-5	111
-	MOUNT, FEED BRACKET	459610-1	110
-	WASHER, SPRG LOCK, REG 3/8	21024-8	109
-	AIR FEED VALVE ASSEMBLY	692655-7	108
-	VALVE, SHUT OFF	24024-2	106
-	AIR FEED VALVE ASSEMBLY	692655-5	105
-	ASSEMBLY, AIR FEED	461065-1	104
-	SCR, SKT HD CAP 10-32 X 1.250	4-21000-0	103
-	SCR, SET, CUP POINT 10-32 X .750	5-21006-6	99
-	SCR, SKT HD CAP 8-32 X .750	2-21000-9	88
-	SCR, SKT HD CAP 4-40 X .500	1-21000-5	85
-	SF APPL INST 408-8040	4088040	72
-	GENERAL INSTRUCTION PKG	217238-1	71
-	PLATE, IDENTIFICATION	461264-5	67
-	SCREW, DRIVE	21017-2	66
-	SCR, SET, SELF LOCKING 1/4-20 X .250	21009-2	63
-	SCR, BHSC, SELF-LOCKING, 8-32 X .375	22733-8	60
-	SCR, HEX HD CAP 8-32 X .312	2-22603-0	59
-	FEED PAWL	3-694433-2	56
-	SCR, BTN SKT HD CAP 8-32 X .500	2-21002-2	54
-	SCR, SKT HD CAP 8-32 X .500	2-21000-7	53
-	NUT, HEX, REG 6-32	21018-5	52
-	BUMPER, HOLD DOWN	811242-2	51
-	SPACER, TONKER	690753-1	50
-	APPL., BASIC AIR FEED SUB ASSY	1633399-1	46
-	PLUG, NYLON	690191-1	45
-	RAM, SIDE FEED	2-819307-1	44
-	SCR, BTN SKT HD CAP 5/16-24 X 1.00	7-21002-9	41
-	SHIM SUB-ASSY	690125-1	39
-	SHIM	469367-8	38
-	FINE ADJUST HEAD ASSEMBLY	879103-2	37
-	TERMINAL SUPPORT	690786-1	34
-	SCR, BTN SKT HD CAP 8-32 X .500	2-21002-2	33
-	WASHER, SPRG LOCK, REG NO 10	21024-5	32
-	SCR, SKT HD CAP 10-32 X .375	3-21000-4	31
-	PLATE, STRIP GUIDE	5-455671-2	29
-	SPRING, COMPRESSION	1-22284-0	27
-	LEVER, DRAG RELEASE	690546-1	26
-	DRAG, SPECIAL	690754-7	25
-	GUIDE, REAR STRIP	1-690440-9	24
-	FRONT STRIP GUIDE	1-690712-1	23
-	STRIPPER	690472-2	22
-	SCR, SKT HD CAP 8-32 X .500	2-21000-7	21
-	WASHER, SPRG LOCK, REG NO 8	21024-4	20
-	STRIPPER	691353-1	19
-	PLATE, REAR SHEAR	853714-5	9
-	ANVIL, SPECIAL COMBINATION	1214596-2	8
-	SPACER	1-240641-9	7
-	BLOCK, FL CRIMPER SPACER	238009-4	4
-	CRIMPER, INSULATION F	2-1633471-9	3
-	BLADE, SLUG	853720-5	2
-	CRIMPER, WIRE PREMIUM	6-458141-7	1

DIMENSIONS:	TOLERANCES UNLESS OTHERWISE SPECIFIED:	DATE	BY	CHKD	APPVD	NAME	PRODUCT SPEC	APPLICATION SPEC	WEIGHT	CUSTOMER DRAWING
INCHES	9 PLC ±.01 1 PLC ±.01 3 PLC ±.001 4 PLC ±.0001 ANGLES ±.0001	11OCT2006	R. KNEPPER	G. BALLEY	T. BENCHOFF	Tyco Electronics	FINE ADJUST SIDE FEED HDM APPLICATOR		00779	3:5

CUSTOMER VIEWABLE ASSEMBLY

# Mouser Electronics

Authorized Distributor

Click to View Pricing, Inventory, Delivery & Lifecycle Information:

[TE Connectivity:](#)

[1855137-1](#)