



# Low-Cost, 144MHz, Dual/Triple Op Amps with $\pm 15\text{kV}$ ESD Protection

**MAX4030E/MAX4031E**

## General Description

The MAX4030E/MAX4031E unity-gain stable op amps combine high-speed performance, rail-to-rail outputs, and  $\pm 15\text{kV}$  ESD protection. Targeted for applications where an input or an output is exposed to the outside world, such as video and communications, these devices are compliant with International ESD Standards:  $\pm 15\text{kV}$  IEC 1000-4-2 Air-Gap Discharge,  $\pm 8\text{kV}$  IEC 1000-4-2 Contact Discharge, and the  $\pm 15\text{kV}$  Human Body Model.

The MAX4030E/MAX4031E operate from a single 5V supply and consume only 12mA of quiescent supply current per amplifier while achieving a 144MHz -3dB bandwidth, 20MHz 0.1dB gain flatness, and a 115V/ $\mu\text{s}$  slew rate. The MAX4031E provides individual shutdown control for each of the amplifiers.

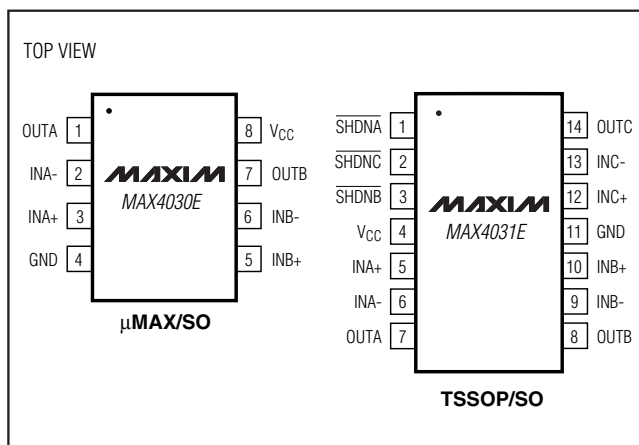
The dual MAX4030E is available in 8-pin  $\mu\text{MAX}^{\circledR}$  and SO packages, and the triple MAX4031E is available in 14-pin TSSOP and SO packages. All devices are specified over the  $-40^{\circ}\text{C}$  to  $+85^{\circ}\text{C}$  extended temperature range.

## Applications

Set-Top Boxes	Notebooks
Standard Definition Television (SDTV)	Projectors
Enhanced Television (ETV)	Security Video Systems
High-Definition Television (HDTV)	Camcorders
	Digital Still Cameras
	Portable DVD Players

$\mu\text{MAX}$  is a registered trademark of Maxim Integrated Products, Inc.

## Pin Configurations



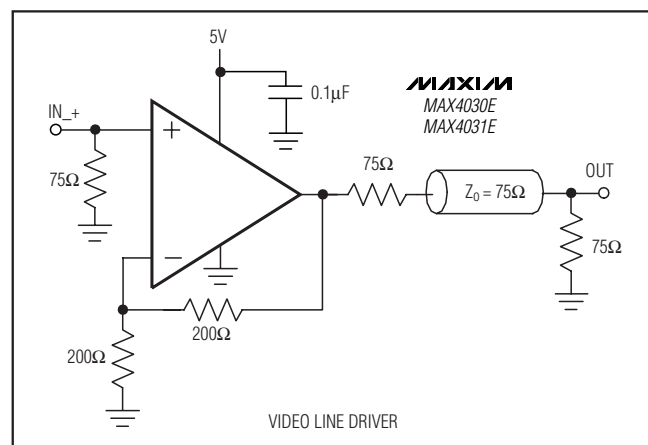
## Features

- ◆ ESD-Protected Video Inputs and Outputs
  - $\pm 15\text{kV}$  – Human Body Model
  - $\pm 8\text{kV}$  – IEC 1000-4-2 Contact Discharge
  - $\pm 15\text{kV}$  – IEC 1000-4-2 Air-Gap Discharge
- ◆ 5V Single-Supply Operation
- ◆ 0.1 $\mu\text{A}$  Low-Power Shutdown Mode (MAX4031E)
- ◆ Input Common-Mode Range Extends to Ground
- ◆ 2V<sub>p-p</sub> Large-Signal -3dB BW > 50MHz
- ◆ Directly Drives 150 $\Omega$  Loads
- ◆ Low Differential Gain/Phase: 0.2%/0.2°
- ◆  $-40^{\circ}\text{C}$  to  $+85^{\circ}\text{C}$  Extended Temperature Range
- ◆ Compact 8-Pin  $\mu\text{MAX}$  and 14-Pin TSSOP Packages

## Ordering Information

PART	TEMP RANGE	PIN-PACKAGE
MAX4030EEUA	$-40^{\circ}\text{C}$ to $+85^{\circ}\text{C}$	8 $\mu\text{MAX}$
MAX4030EESA	$-40^{\circ}\text{C}$ to $+85^{\circ}\text{C}$	8 SO
MAX4031EEUD	$-40^{\circ}\text{C}$ to $+85^{\circ}\text{C}$	14 TSSOP
MAX4031EESD	$-40^{\circ}\text{C}$ to $+85^{\circ}\text{C}$	14 SO

## Typical Operating Circuit



# Low-Cost, 144MHz, Dual/Triple Op Amps with $\pm 15kV$ ESD Protection

## ABSOLUTE MAXIMUM RATINGS

(All voltages referenced to GND, unless otherwise noted.)

$V_{CC}$  ..... -0.3V to +6V

$IN_-$ ,  $IN_+$ ,  $OUT_-$ ,  $SHDN_-$  ..... -0.3V to ( $V_{CC} + 0.3V$ )

Current into  $IN_-$ ,  $IN_+$ ,  $SHDN_-$  .....  $\pm 20mA$

Output Short-Circuit Duration to  $V_{CC}$  or GND ..... Continuous

Continuous Power Dissipation ( $T_A = +70^\circ C$ )

8-Pin  $\mu MAX$  (derate 4.5mW/ $^\circ C$  above  $+70^\circ C$ ) ..... 362mW

8-Pin SO (derate 5.9mW/ $^\circ C$  above  $+70^\circ C$ ) ..... 471mW

14-Pin TSSOP (derate 9.1mW/ $^\circ C$  above  $+70^\circ C$ ) ..... 727mW

14-Pin SO (derate 8.3mW/ $^\circ C$  above  $+70^\circ C$ ) ..... 667mW

Operating Temperature Range .....  $-40^\circ C$  to  $+85^\circ C$

Junction Temperature .....  $+150^\circ C$

Storage Temperature Range .....  $-65^\circ C$  to  $+150^\circ C$

Lead Temperature (soldering, 10s) .....  $+300^\circ C$

Stresses beyond those listed under "Absolute Maximum Ratings" may cause permanent damage to the device. These are stress ratings only, and functional operation of the device at these or any other conditions beyond those indicated in the operational sections of the specifications is not implied. Exposure to absolute maximum rating conditions for extended periods may affect device reliability.

## DC ELECTRICAL CHARACTERISTICS

( $V_{CC} = 5V$ ,  $V_{CM} = 0V$ ,  $V_{OUT_-} = V_{CC}/2$ ,  $SHDN_- = V_{CC}$ ,  $R_L = \infty$  to  $V_{CC}/2$ ,  $T_A = T_{MIN}$  to  $T_{MAX}$ , unless otherwise noted. Typical values are at  $T_A = +25^\circ C$ .) (Note 1)

PARAMETER	SYMBOL	CONDITIONS	MIN	TYP	MAX	UNITS
Operating Supply Voltage Range	$V_{CC}$	Guaranteed by PSRR	4.5		5.5	V
Quiescent Current (per Amplifier)	$I_{CC}$			12	22	mA
Shutdown Current (per Amplifier)	$I_{SHDN}$	$SHDN_- = GND$ (MAX4031E)		0.1	10	$\mu A$
Input Common-Mode Voltage	$V_{CM}$	Guaranteed by CMRR	0		$V_{CC} - 2.25$	V
Input Offset Voltage	$V_{OS}$	$T_A = +25^\circ C$		5	13	mV
		$T_A = -40^\circ C$ to $+85^\circ C$			26	
Input Offset Voltage Matching	$\Delta V_{OS}$			2.6		mV
Input Offset Voltage Tempco	$TC_{VOS}$			31		$\mu V/^\circ C$
Input Bias Current	$I_B$			0.01	1	$\mu A$
Input Offset Current	$I_{OS}$			0.01		$\mu A$
Input Resistance	$R_{IN}$			1		$G\Omega$
Common-Mode Rejection Ratio	CMRR	$GND \leq V_{CM} \leq V_{CC} - 2.25V$	50	70		dB
Power-Supply Rejection Ratio	PSRR	$4.5V \leq V_{CC} \leq 5.5V$	40	60		dB
Open-Loop Gain	$A_{VOL}$	$0.5V \leq V_{OUT_-} \leq 4.5V$ , $R_L = 2k\Omega$ to $V_{CC}/2$		80		dB
		$0.6V \leq V_{OUT_-} \leq 4.4V$ , $R_L = 150\Omega$ to $V_{CC}/2$	50	70		
		$0.4V \leq V_{OUT_-} \leq 3.5V$ , $R_L = 150\Omega$ to GND	50	70		
Output Voltage Swing	$V_{OUT_-}$	$R_L = 2k\Omega$ to $V_{CC}/2$	$V_{CC} - V_{OH}$		0.05	V
			$V_{OL} - GND$		0.05	
		$R_L = 150\Omega$ to $V_{CC}/2$	$V_{CC} - V_{OH}$	0.15	0.4	
			$V_{OL} - GND$	0.15	0.4	
		$R_L = 150\Omega$ to GND	$V_{CC} - V_{OH}$	0.3	0.8	
			$V_{OL} - GND$	0.01	0.05	
Output Short-Circuit Current	$I_{SC}$	Sinking or sourcing		$\pm 100$		mA
$SHDN_-$ Logic Threshold	$V_{IL}$	MAX4031E			0.8	V
	$V_{IH}$	MAX4031E	2.0			
$SHDN_-$ Logic Input Current	$I_{IL}$	$SHDN_- = GND$ (MAX4031E)		0.10	10	$\mu A$
	$I_{IH}$	$SHDN_- = V_{CC}$ (MAX4031E)		0.10	10	

# Low-Cost, 144MHz, Dual/Triple Op Amps with $\pm 15\text{kV}$ ESD Protection

MAX4030E/MAX4031E

## DC ELECTRICAL CHARACTERISTICS (continued)

( $V_{CC} = 5\text{V}$ ,  $V_{CM} = 0\text{V}$ ,  $V_{OUT\_} = V_{CC}/2$ ,  $\overline{\text{SHDN\_}} = V_{CC}$ ,  $R_L = \infty$  to  $V_{CC}/2$ ,  $T_A = T_{MIN}$  to  $T_{MAX}$ , unless otherwise noted. Typical values are at  $T_A = +25^\circ\text{C}$ .) (Note 1)

PARAMETER	SYMBOL	CONDITIONS	MIN	TYP	MAX	UNITS
Disabled Output Leakage Current	$I_{OUT\_SH}$	$\overline{\text{SHDN\_}} = \text{GND}$ (MAX4031E)		0.1	10	$\mu\text{A}$
ESD Protection Voltage (Note 2)		Human Body Model		$\pm 15$		kV
		IEC 1000-4-2 Contact Discharge		$\pm 8$		
		IEC 1000-4-2 Air-Gap Discharge		$\pm 15$		

## AC ELECTRICAL CHARACTERISTICS

( $V_{CC} = 5\text{V}$ ,  $V_{CM} = 1.5\text{V}$ ,  $R_L = 150\Omega$  to GND,  $\overline{\text{SHDN\_}} = V_{CC}$ ,  $A_{VCL\_} = +2\text{V/V}$ ,  $T_A = +25^\circ\text{C}$ , unless otherwise noted.)

PARAMETER	SYMBOL	CONDITIONS	MIN	TYP	MAX	UNITS
Small-Signal -3dB Bandwidth	$BW_{SS}$	$V_{OUT\_} = 100\text{mV}_{P-P}$ , $A_{VCL\_} = +1\text{V/V}$		144		MHz
		$V_{OUT\_} = 100\text{mV}_{P-P}$ , $A_{VCL\_} = +2\text{V/V}$		53		
Large-Signal -3dB Bandwidth	$BW_{LS}$	$V_{OUT\_} = 2\text{V}_{P-P}$ , $A_{VCL\_} = +1\text{V/V}$		52		MHz
		$V_{OUT\_} = 2\text{V}_{P-P}$ , $A_{VCL\_} = +2\text{V/V}$		40		
Small-Signal 0.1dB Gain Flatness	$BW_{0.1dBSS}$	$V_{OUT\_} = 100\text{mV}_{P-P}$ , $A_{VCL\_} = +1\text{V/V}$		20		MHz
		$V_{OUT\_} = 100\text{mV}_{P-P}$ , $A_{VCL\_} = +2\text{V/V}$		10		
Large-Signal 0.1dB Gain Flatness	$BW_{0.1dBLS}$	$V_{OUT\_} = 2\text{V}_{P-P}$ , $A_{VCL\_} = +1\text{V/V}$		20		MHz
		$V_{OUT\_} = 2\text{V}_{P-P}$ , $A_{VCL\_} = +2\text{V/V}$		9		
Slew Rate	SR	$V_{OUT\_} = 2\text{V}$ step		115		$\text{V}/\mu\text{s}$
Settling Time to 0.1%	$t_S$	$V_{OUT\_} = 2\text{V}$ step		40		ns
Channel-to-Channel Isolation	$CH_{ISO}$	$f = 4.43\text{MHz}$		65		dB
Differential Phase Error	DP	NTSC, $R_L = 150\Omega$ to GND, $A_{VCL\_} = +2\text{V/V}$		0.2		Degrees
Differential Gain Error	DG	NTSC, $R_L = 150\Omega$ to GND, $A_{VCL\_} = +2\text{V/V}$		0.2		%
Input Capacitance	$C_{IN}$			8		pF
Capacitive-Load Stability		No sustained oscillations		200		pF
Output Impedance	$Z_{OUT}$	$f = 4.43\text{MHz}$		2		$\Omega$
Enable Time	$t_{ON}$	$V_{IN\_} = 1\text{V}$ (MAX4031E)		2		$\mu\text{s}$
Disable Time	$t_{OFF}$	$V_{IN\_} = 1\text{V}$ (MAX4031E)		0.15		$\mu\text{s}$

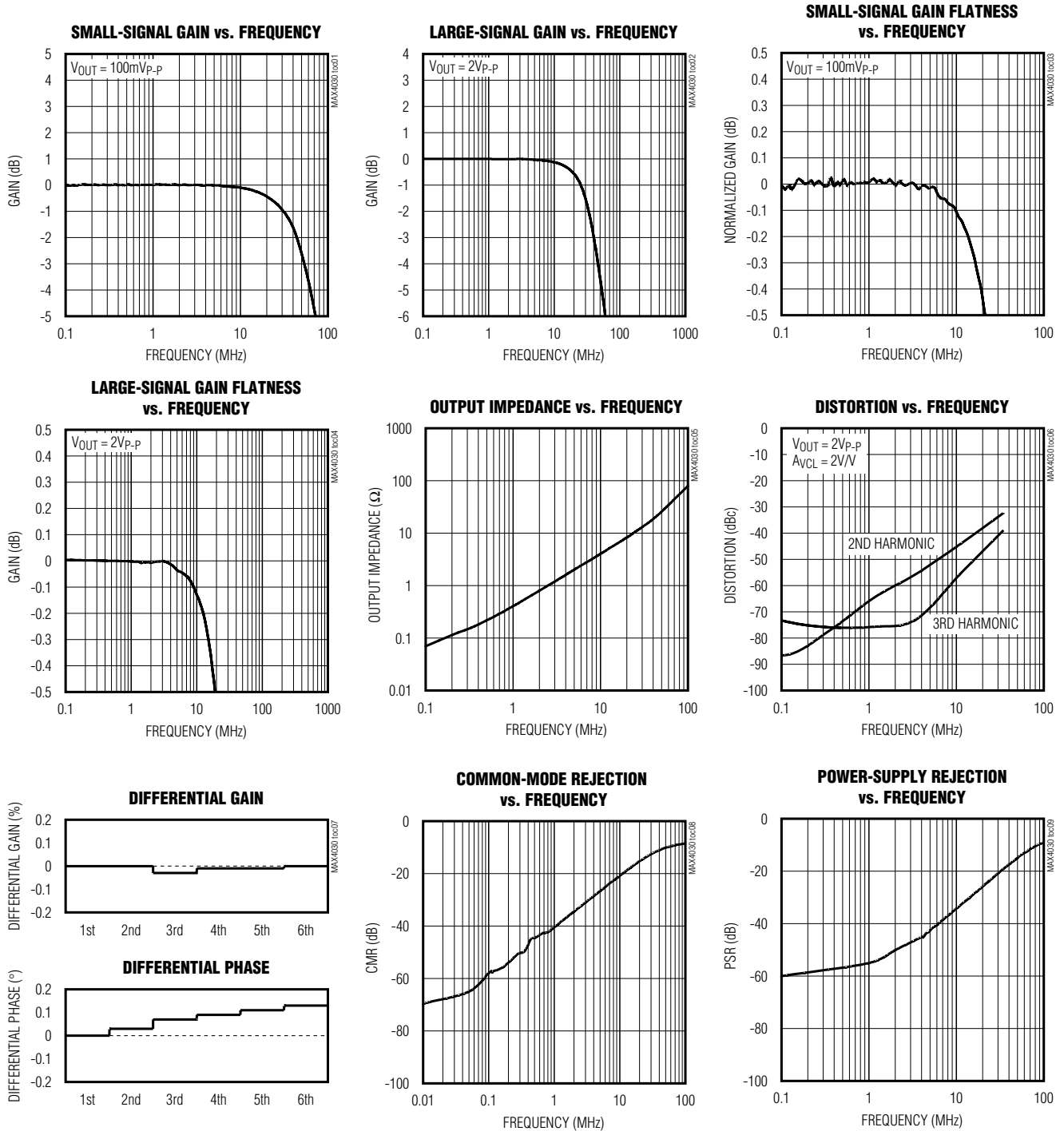
**Note 1:** All devices are 100% production tested at  $T_A = +25^\circ\text{C}$ . Specifications over temperature limits are guaranteed by design.

**Note 2:** ESD protection is specified for test point A and test point B only (Figure 7).

# Low-Cost, 144MHz, Dual/Triple Op Amps with $\pm 15kV$ ESD Protection

## Typical Operating Characteristics

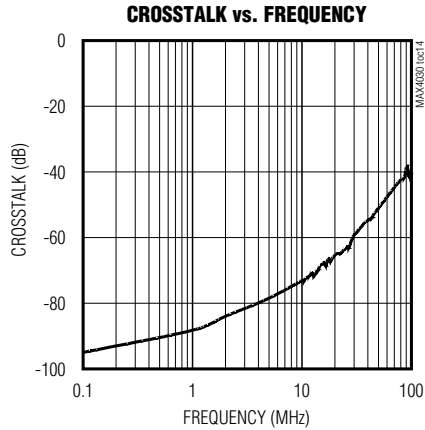
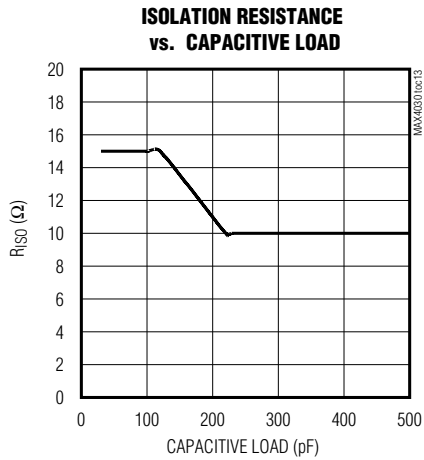
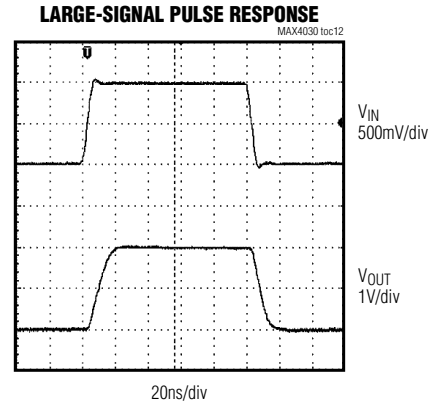
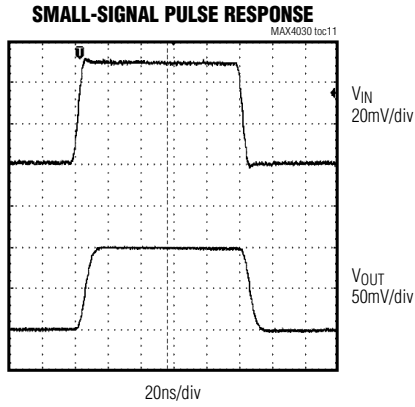
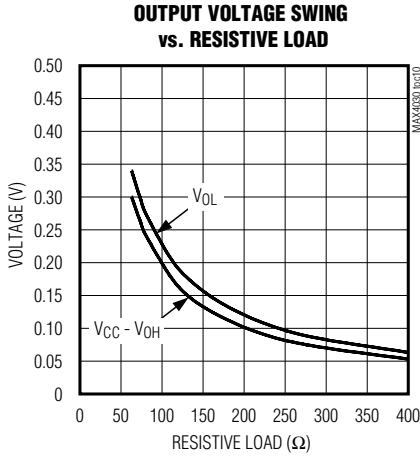
( $V_{CC} = 5V$ ,  $V_{CM} = 1.5V$ ,  $A_{VCL} = +2V/V$ ,  $R_L = 150\Omega$  to  $V_{CC}/2$ ,  $T_A = +25^\circ C$ , unless otherwise noted.)



# Low-Cost, 144MHz, Dual/Triple Op Amps with $\pm 15kV$ ESD Protection

## Typical Operating Characteristics (continued)

( $V_{CC} = 5V$ ,  $V_{CM} = 1.5V$ ,  $A_{VCL} = +2V/V$ ,  $R_L = 150\Omega$  to  $V_{CC}/2$ ,  $T_A = +25^\circ C$ , unless otherwise noted.)



MAX4030E/MAX4031E

# Low-Cost, 144MHz, Dual/Triple Op Amps with $\pm 15\text{kV}$ ESD Protection

## Pin Description

PIN		NAME	FUNCTION
MAX4030E	MAX4031E		
1	7	OUTA	Amplifier A Output
2	6	INA-	Amplifier A Inverting Input
3	5	INA+	Amplifier A Noninverting Input
4	11	GND	Ground
5	10	INB+	Amplifier B Noninverting Input
6	9	INB-	Amplifier B Inverting Input
7	8	OUTB	Amplifier B Output
8	4	V <sub>CC</sub>	Positive Power Supply. Bypass V <sub>CC</sub> to GND with a 0.1 $\mu$ F capacitor.
—	1	$\overline{\text{SHDNA}}$	Amplifier A Shutdown Input. Connect $\overline{\text{SHDNA}}$ high to enable amplifier A.
—	2	$\overline{\text{SHDNC}}$	Amplifier C Shutdown Input. Connect $\overline{\text{SHDNC}}$ high to enable amplifier C.
—	3	$\overline{\text{SHDNB}}$	Amplifier B Shutdown Input. Connect $\overline{\text{SHDNB}}$ high to enable amplifier B.
—	12	INC+	Amplifier C Noninverting Input
—	13	INC-	Amplifier C Inverting Input
—	14	OUTC	Amplifier C Output

## Detailed Description

The MAX4030E/MAX4031E dual/triple, 5V operational amplifiers achieve 115V/ $\mu$ s slew rates and 144MHz bandwidths. High  $\pm 15\text{kV}$  ESD protection at video inputs and outputs guards against unexpected discharge. Excellent harmonic distortion and differential gain/phase performance make these amplifiers an ideal choice for a wide variety of video and RF signal-processing applications.

### Ground-Sensing Inputs

The MAX4030E/MAX4031E input stage can sense common-mode voltages from ground to within 2.25V of the positive supply.

### Rail-to-Rail Outputs

The MAX4030E/MAX4031E rail-to-rail outputs can swing to within 100mV of each supply because local feedback around the output stage ensures low open-loop output impedance, reducing gain sensitivity to load variations.

### Shutdown (MAX4031E Only)

The MAX4031E offers individual shutdown control for each amplifier. Drive SHDN\_ low to shut down the amplifier. In shutdown, the amplifier output impedance is high impedance.

## Applications Information

### Choosing Resistor Values

#### Unity-Gain Configuration

The MAX4030E/MAX4031E are internally compensated for unity gain. When configured for unity gain, a 24 $\Omega$  resistor (R<sub>F</sub>) in series with the feedback path optimizes AC performance. This resistor improves AC response by reducing the Q of the parallel LC circuit formed by the parasitic feedback capacitance and lead inductance.

#### Video Line Driver

The MAX4030E/MAX4031E are low-power, voltage-feedback amplifiers featuring bandwidths up to 40MHz and 0.1dB gain flatness to 9MHz. They are designed to minimize differential-gain error and differential-phase error to 0.2% and 0.2°, respectively. They have a 40ns settling time to 0.1%, 110V/ $\mu$ s slew rates, and output-current-drive capability of up to 50mA, making them ideal for driving video loads.

#### Inverting and Noninverting Configurations

Select the feedback (R<sub>F</sub>) and input (R<sub>G</sub>) resistor values to fit the gain requirements of the application. Large resistor values increase voltage noise and interact with the amplifier's input and PC board capacitance. This can generate undesirable poles and zeros and

# Low-Cost, 144MHz, Dual/Triple Op Amps with $\pm 15\text{kV}$ ESD Protection

MAX4030E/MAX4031E

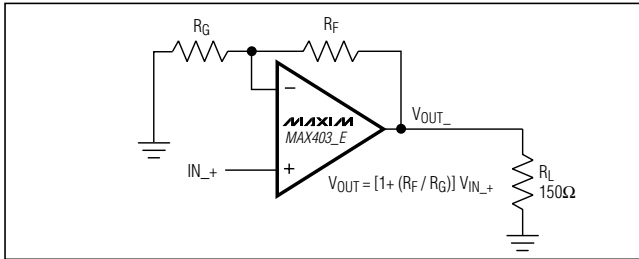


Figure 1. Noninverting Gain Configuration

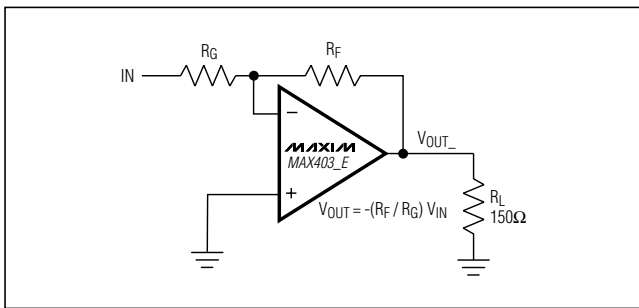


Figure 2. Inverting Gain Configuration

decrease bandwidth or cause oscillations. For example, a noninverting gain-of-two configuration ( $R_F = R_G$ ) using  $2\text{k}\Omega$  resistors, combined with  $4\text{pF}$  of amplifier input capacitance and  $1\text{pF}$  of PC board capacitance, cause a pole at  $79.6\text{MHz}$ . Since this pole is within the amplifier bandwidth, it jeopardizes stability. Reducing the  $2\text{k}\Omega$  resistors to  $100\Omega$  extends the pole frequency to  $1.59\text{GHz}$ , but could limit output swing by adding  $200\Omega$  in parallel with the amplifier's load resistor (Figures 1 and 2).

### Layout and Power-Supply Bypassing

These amplifiers operate from a single  $5\text{V}$  power supply. Bypass  $V_{CC}$  to ground with a  $0.1\mu\text{F}$  capacitor as close to  $V_{CC}$  as possible. Maxim recommends using microstrip and stripline techniques to obtain full bandwidth. To ensure that the PC board does not degrade the amplifier's performance, design it for a frequency greater than  $1\text{GHz}$ . Pay careful attention to inputs and outputs to avoid large parasitic capacitance. Under all conditions observe the following design guidelines:

- Do not use wire-wrap boards. Wire-wrap boards are too inductive.
- Do not use IC sockets. Sockets increase parasitic capacitance and inductance.
- Use surface mount instead of through-hole components for better high-frequency performance.

- Use a PC board with at least two layers. The PC board should be as free from voids as possible.
- Keep signal lines as short and as straight as possible. Do not make  $90^\circ$  turns; round all corners.

### Output Capacitive Loading and Stability

The MAX4030E/MAX4031E are optimized for AC performance and do not drive highly reactive loads, which decreases phase margin and can produce excessive ringing and oscillation. Figure 3 shows a circuit modification that uses an isolation resistor ( $R_{ISO}$ ) to eliminate this problem. Figure 4 shows a graph of the Optimal Isolation Resistor ( $R_{ISO}$ ) vs. Capacitive Load. Figure 5 shows how a capacitive load causes excessive peaking of the amplifier's frequency response if the capacitor is not isolated from the amplifier by a resistor. A small isolation resistor (usually  $10\Omega$  to  $15\Omega$ ) placed before the reactive load prevents ringing and oscillation. At higher capacitive loads, the interaction of the load capacitance and the isolation resistor controls the AC performance. Figure 6 shows the effect of a  $10\Omega$  isolation resistor on closed-loop response.

### ESD Protection

As with all Maxim devices, ESD protection structures are incorporated on all pins to protect against ESD encountered during handling and assembly. Input and output pins of the MAX4030E/MAX4031E have extra protection against static electricity. Maxim's engineers have developed state-of-the-art structures enabling these pins to withstand ESD up to  $\pm 15\text{kV}$  without damage when placed in the test circuit (Figure 7). The MAX4030E/MAX4031E are characterized for protection to the following limits:

- $\pm 15\text{kV}$  using the Human Body Model
- $\pm 8\text{kV}$  using the Contact Discharge method specified in IEC 1000-4-2
- $\pm 15\text{kV}$  using the Air-Gap Discharge method specified in IEC 1000-4-2

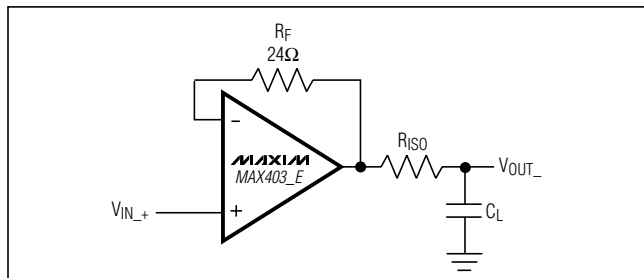


Figure 3. Driving a Capacitive Load Through an Isolation Resistor

# Low-Cost, 144MHz, Dual/Triple Op Amps with $\pm 15kV$ ESD Protection

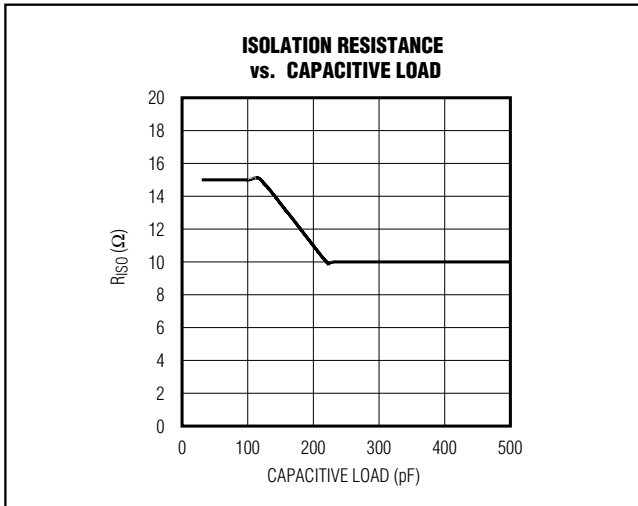


Figure 4. Isolation Resistance vs. Capacitive Load

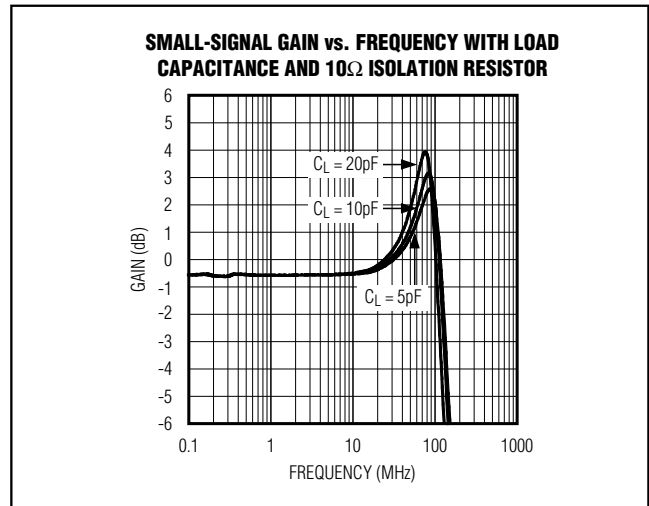


Figure 6. Small-Signal Gain vs. Frequency with Load Capacitance and  $10\Omega$  Isolation Resistor

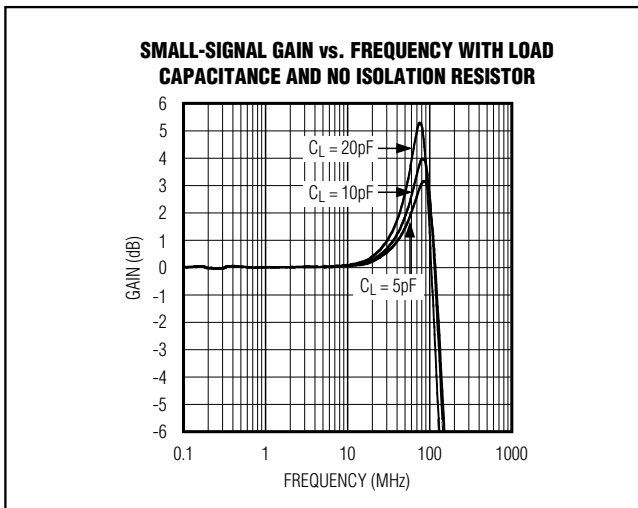


Figure 5. Small-Signal Gain vs. Frequency with Load Capacitance and No Isolation Resistor

### Human Body Model

Figure 8 shows the Human Body Model and Figure 9 shows the current waveform it generates when discharged into low impedance. This model consists of a 150pF capacitor charged to the ESD voltage of interest, and then discharged into the test device through a 1.5kΩ resistor.

### IEC 1000-4-2

The IEC 1000-4-2 standard covers ESD testing and performance of finished equipment; it does not specifically refer to ICs. The MAX4030E/MAX4031E enable the design of equipment that meets the highest level (level 4) of IEC 1000-4-2 without the need for additional ESD protection components. The major difference between tests done using the Human Body Model and IEC 1000-4-2 is higher peak current in IEC 1000-4-2. Because series resistance is lower in the IEC 1000-4-2 model, the ESD-withstand voltage measured to this standard is generally lower than that measured using the Human Body. Figure 10 shows the IEC 1000-4-2 model and Figure 11 shows the current waveform for the  $\pm 8kV$  IEC 1000-4-2 level 4 ESD Contact Discharge test. The Air-Gap test involves approaching the device with a charged probe. The Contact Discharge method connects the probe to the device before the probe is energized.

### Chip Information

MAX4030E TRANSISTOR COUNT: 271  
 MAX4031E TRANSISTOR COUNT: 387  
 PROCESS: BiCMOS



# Low-Cost, 144MHz, Dual/Triple Op Amps with $\pm 15kV$ ESD Protection

MAX4030E/MAX4031E

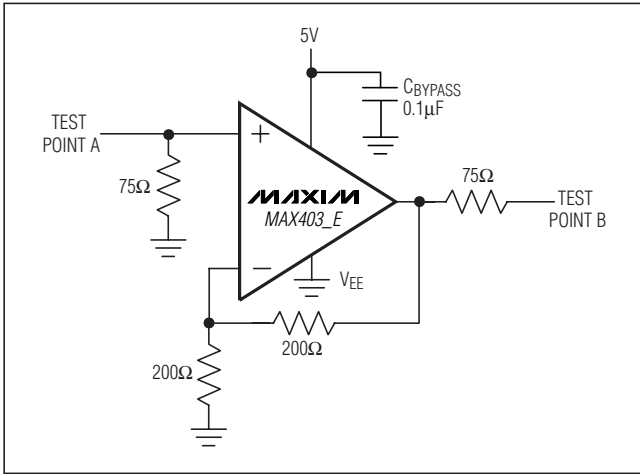


Figure 7. ESD Test Circuit

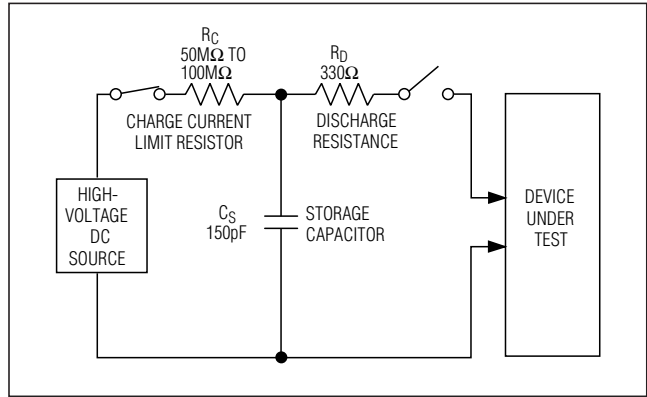


Figure 10. IEC 1000-4-2 ESD Test Model

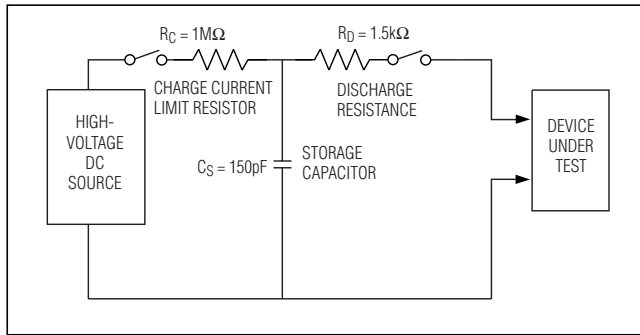


Figure 8. Human Body ESD Model

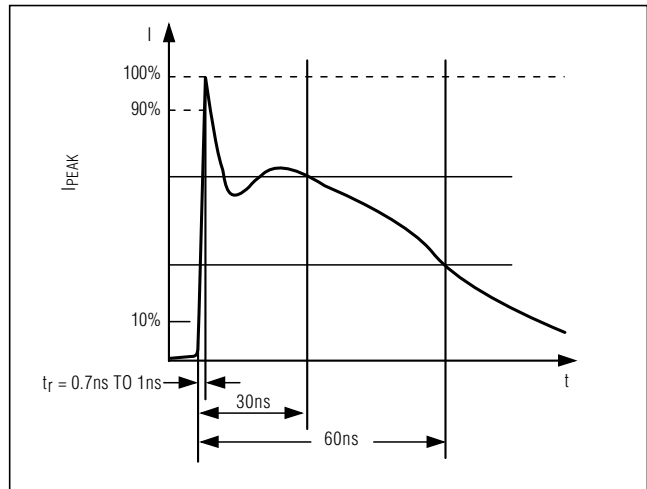


Figure 11. IEC 1000-4-2 ESD Generator Current Waveform

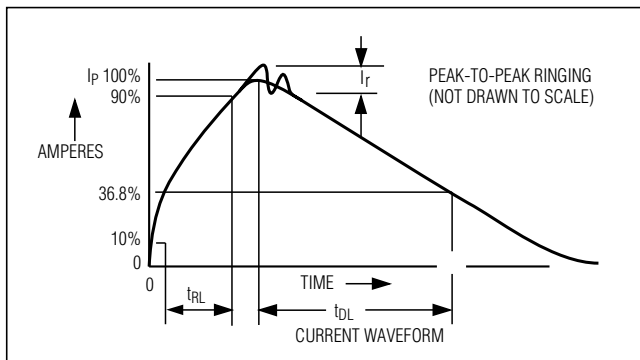
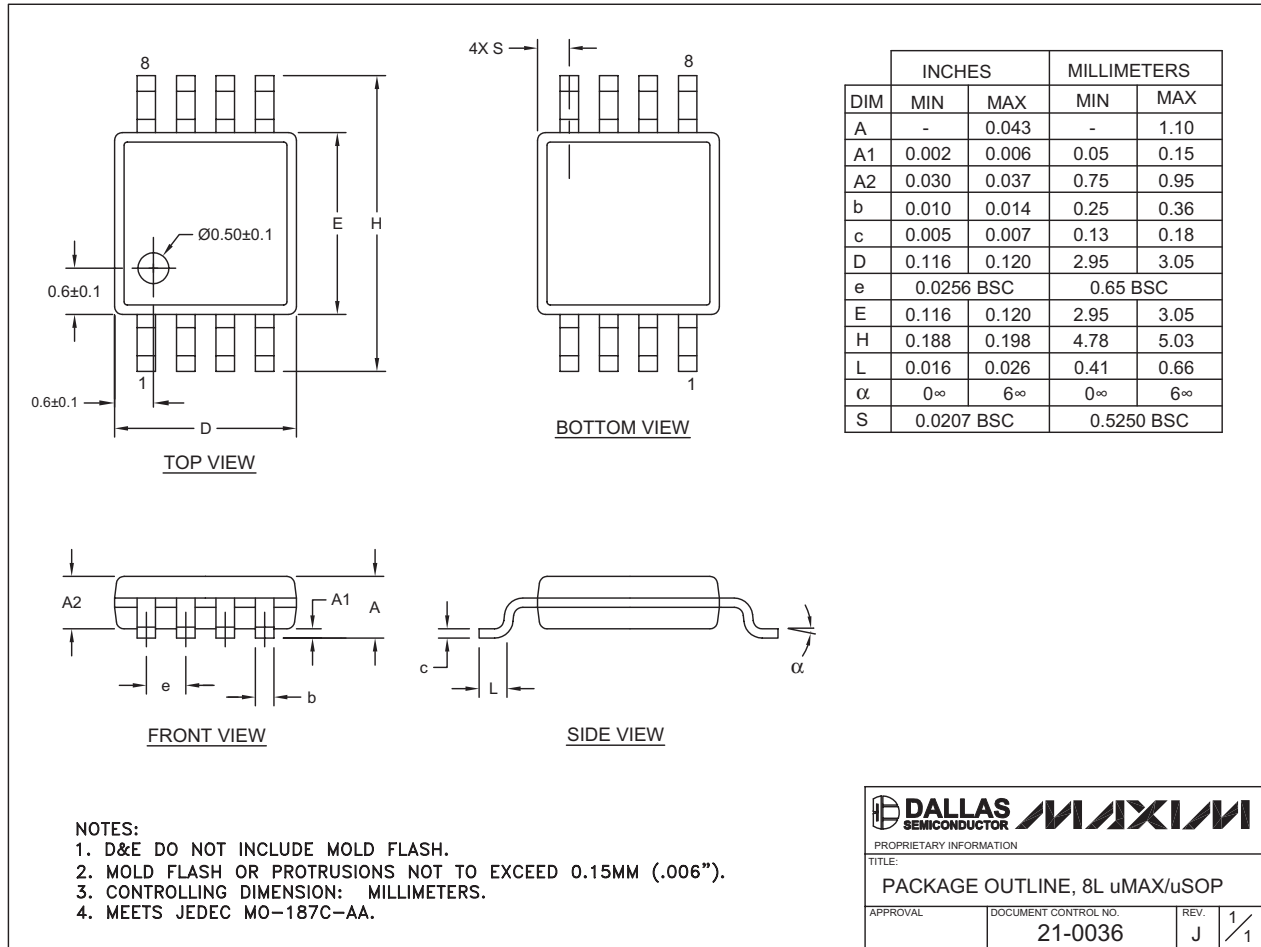


Figure 9. Human Body Current Waveform

# Low-Cost, 144MHz, Dual/Triple Op Amps with $\pm 15kV$ ESD Protection

## Package Information

(The package drawing(s) in this data sheet may not reflect the most current specifications. For the latest package outline information, go to [www.maxim-ic.com/packages](http://www.maxim-ic.com/packages).)



8LUMAXD EFS

**DALLAS SEMICONDUCTOR** **MAXIM**  
 PROPRIETARY INFORMATION  
 TITLE: PACKAGE OUTLINE, 8L uMAX/uSOP  
 APPROVAL: \_\_\_\_\_ DOCUMENT CONTROL NO. 21-0036 REV. J 1/1

# Low-Cost, 144MHz, Dual/Triple Op Amps with $\pm 15kV$ ESD Protection

## Package Information (continued)

(The package drawing(s) in this data sheet may not reflect the most current specifications. For the latest package outline information, go to [www.maxim-ic.com/packages](http://www.maxim-ic.com/packages).)

MAX4030E/MAX4031E

TSSOP4.40mm, EPS

**COMMON DIMENSIONS**

	MILLIMETERS		INCHES	
	MIN.	MAX.	MIN.	MAX.
A	—	1.10	—	.043
A <sub>1</sub>	0.05	0.15	.002	.006
A <sub>2</sub>	0.85	0.95	.033	.037
b	0.19	0.30	.007	.012
b <sub>1</sub>	0.19	0.25	.007	.010
c	0.09	0.20	.004	.008
c <sub>1</sub>	0.09	0.14	.004	.006
D	SEE VARIATIONS		SEE VARIATIONS	
E	4.30	4.50	.169	.177
e	0.65 BSC		.026 BSC	
H	6.25	6.55	.246	.258
L	0.50	0.70	.020	.028
N	SEE VARIATIONS		SEE VARIATIONS	
α	0°	8°	0°	8°

JEDEC	N		VARIATIONS			
			MILLIMETERS		INCHES	
			MIN.	MAX.	MIN.	MAX.
AB-1	14	D	4.90	5.10	.193	.201
AB	16	D	4.90	5.10	.193	.201
AC	20	D	6.40	6.60	.252	.260
AD	24	D	7.70	7.90	.303	.311
AE	28	D	9.60	9.80	.378	.386

**NOTES:**

- DIMENSIONS D AND E DO NOT INCLUDE FLASH
- MOLD FLASH OR PROTRUSIONS NOT TO EXCEED 0.15mm PER SIDE
- CONTROLLING DIMENSION: MILLIMETER
- MEETS JEDEC OUTLINE MO-153. SEE JEDEC VARIATIONS TABLE
- 'N' REFERS TO NUMBER OF LEADS
- THE LEAD TIPS MUST LIE WITHIN A SPECIFIED ZONE. THIS TOLERANCE ZONE IS DEFINED BY TWO PARALLEL PLANES. ONE PLANE IS THE SEATING PLANE, DATUM [-C-]; THE OTHER PLANE IS AT THE SPECIFIED DISTANCE FROM [-C-] IN THE DIRECTION INDICATED

-DRAWING NOT TO SCALE-

**DALLAS SEMICONDUCTOR** **MAXIM**

TITLE: PACKAGE OUTLINE, TSSOP 4.40mm BODY

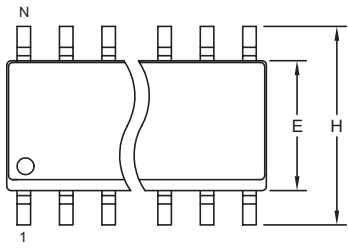
APPROVAL:	DOCUMENT CONTROL NO. 21-0066	REV. G	1/1
-----------	------------------------------	--------	-----

# Low-Cost, 144MHz, Dual/Triple Op Amps with $\pm 15kV$ ESD Protection

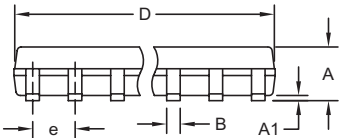
## Package Information (continued)

(The package drawing(s) in this data sheet may not reflect the most current specifications. For the latest package outline information, go to [www.maxim-ic.com/packages](http://www.maxim-ic.com/packages).)

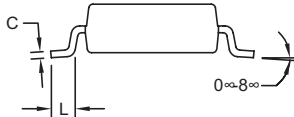
SOICN EPS



TOP VIEW



FRONT VIEW



SIDE VIEW



**NOTES:**

1. D&E DO NOT INCLUDE MOLD FLASH.
2. MOLD FLASH OR PROTRUSIONS NOT TO EXCEED 0.15mm (.006").
3. LEADS TO BE COPLANAR WITHIN 0.10mm (.004").
4. CONTROLLING DIMENSION: MILLIMETERS.
5. MEETS JEDEC MS012.
6. N = NUMBER OF PINS.

DIM	INCHES		MILLIMETERS	
	MIN	MAX	MIN	MAX
A	0.053	0.069	1.35	1.75
A1	0.004	0.010	0.10	0.25
B	0.014	0.019	0.35	0.49
C	0.007	0.010	0.19	0.25
e	0.050 BSC		1.27 BSC	
E	0.150	0.157	3.80	4.00
H	0.228	0.244	5.80	6.20
L	0.016	0.050	0.40	1.27

VARIATIONS:

DIM	INCHES		MILLIMETERS		N	MS012
	MIN	MAX	MIN	MAX		
D	0.189	0.197	4.80	5.00	8	AA
D	0.337	0.344	8.55	8.75	14	AB
D	0.386	0.394	9.80	10.00	16	AC

PROPRIETARY INFORMATION

TITLE:  
PACKAGE OUTLINE, .150" SOIC

APPROVAL	DOCUMENT CONTROL NO. 21-0041	REV. B	1/1
----------	---------------------------------	-----------	-----

Maxim cannot assume responsibility for use of any circuitry other than circuitry entirely embodied in a Maxim product. No circuit patent licenses are implied. Maxim reserves the right to change the circuitry and specifications without notice at any time.

12 \_\_\_\_\_ **Maxim Integrated Products, 120 San Gabriel Drive, Sunnyvale, CA 94086 408-737-7600**

# Mouser Electronics

Authorized Distributor

Click to View Pricing, Inventory, Delivery & Lifecycle Information:

## Maxim Integrated:

[MAX4030EESA+](#) [MAX4030EESA+T](#) [MAX4030EEUA+](#) [MAX4030EEUA+T](#) [MAX4031EESD+](#) [MAX4031EESD+T](#)  
[MAX4031EEUD+](#) [MAX4031EEUD+T](#)