

PRODUCT NUMBER
20020327-XXXXXXLF

20020327-□ □ □ □ □ 0 □ L F

PITCH
C: 3.50 mm
D: 3.81 mm

POLES
02: 2 POLES
03: 3 POLES
04: 4 POLES
24: 24 POLES

LF : DENOTED RoHS COMPATIBLE
1 : STANDARD PRODUCT
W/ BOX PACKING

SCREW CODE

CODE	SCREW TYPE	AVAILABILITY
A	-/+	ON REQUEST ONLY
B	-	STANDARD

PROPERTY TABLE			
FCI SERIES NAME		26-350	26-381
PITCH (mm)		3.50	3.81
VOLTAGE RATING (VAC)		300	300
CURRENT RATING (A)		10	10
APPLICABLE WIRE RANGE (AWG)	1-WIRE	16~24	16~24
	2-WIRE	20	20
WIRE CROSS SECTION (mm ²)	SOLID	1-WIRE	1.5
		2-WIRE	0.5
	STRANDED	1-WIRE	1.0
		2-WIRE	0.2
OPENING CONTACT HOUSING(mm ²)		1.6x1.6	1.6x1.6
WIRE STRIP LENGTH(mm)		5~6	5~6
TORQUE +/-10% (N-m/Lb-in)		0.19/1.7	0.19/1.7
SCREW		M2x0.4	M2x0.4
WITHSTANDING VOLTAGE (kV)		1.6	1.6
OPERATING TEMP. (°C)		-40~+115	-40~+115
SOLDERING TEMP. (°C)		250±10 (5 sec.)	250±10 (5 sec.)
POLES AVAILABLE		02~24	02~24
SAFETY CERTIFICATE			

HOUSING CODE

CODE	COLOR	AVAILABILITY
1	GREEN(RAL 6018/T)	STANDARD
2	BLACK	ON REQUEST ONLY
3	GREY(RAL 7004/P)	ON REQUEST ONLY
4	BLUE(RAL 5015/A)	ON REQUEST ONLY

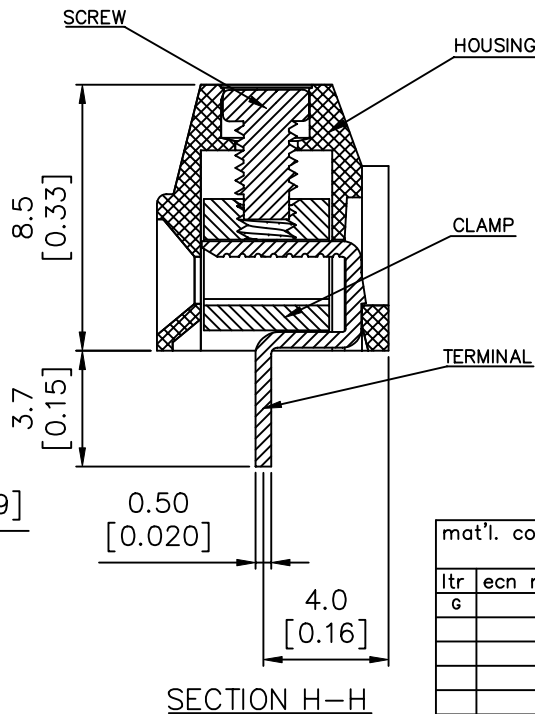
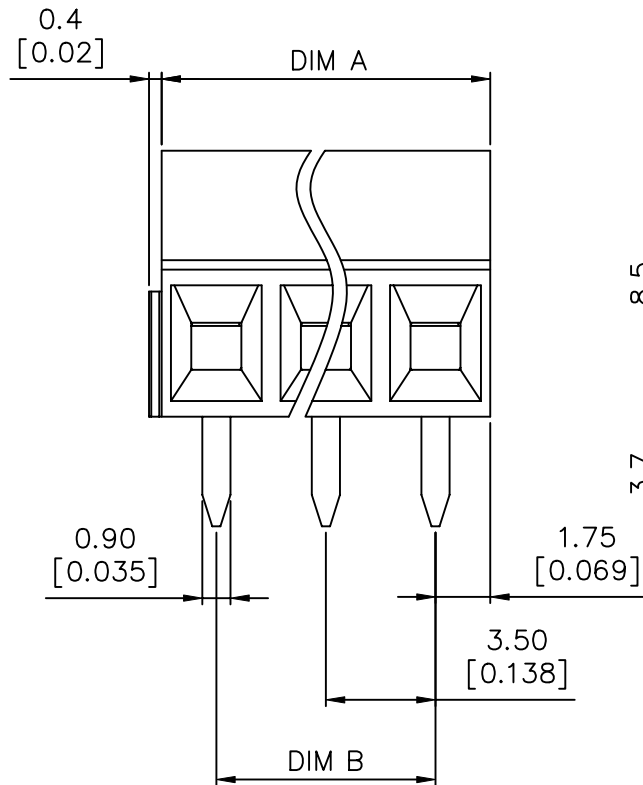
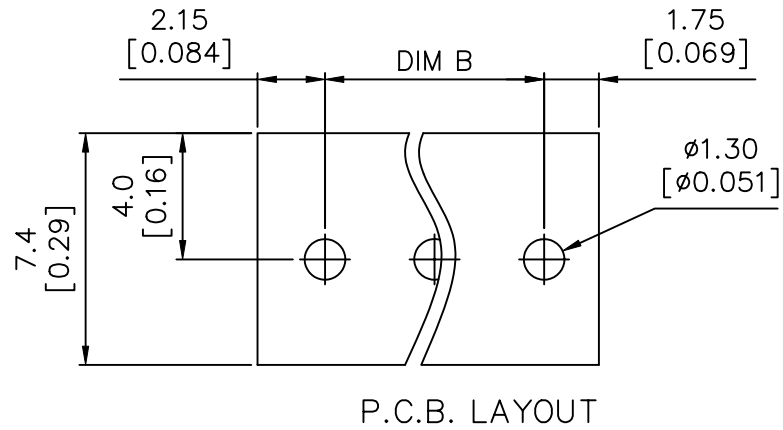
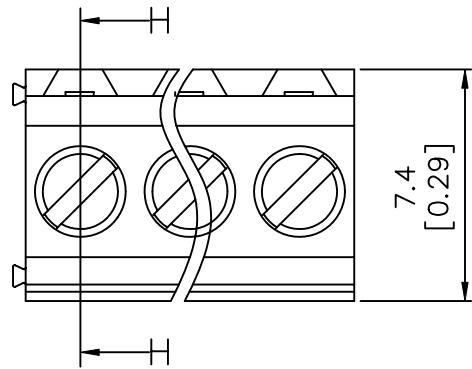
NOTES:

- MATERIALS**
 1-1 HOUSING: THERMALPLASTIC RESIN, UL 94V-0 RATED.
 1-2 SCREW: STEEL, ZINC PLATED.
 1-3 CLAMP: COPPER ALLOY, NICKEL PLATED.
 1-4 TERMINAL: COPPER ALLOY, TIN PLATED.
 2. PRODUCTION SPECIFICATION REFER TO FCI GS-12-625.
 3. BOXED PACKAGING.
 DETAILED PRODUCT PACKING SPECIFICATION REFER TO FCI GS-14-1394.
 4. FCI, SAFETY CERTIFICATE LOGO AND SERIES NAME TO BE SHOWN ON PRODUCT SURFACE.
 5. THE PRODUCTS WHERE THE PART NUMBER END IN "LF" MEET THE EUROPEAN UNION DIRECTIVE AND OTHER COUNTRY REGULATIONS AS DESCRIBED IN GS-22-008.
 6. RECOMENDED SOLDERING PROCESS BY WAVE SOLDER.

mat'l. code				surface ASME Y14.5 ✓ / tolerance ASME Y14.5		projection		product family	
tolerances unless otherwise specified				X.±0.5				TERMINAL BLOCK	
ltr	ecn no	dr	date	angles	X.X±0.3	MM [INCH]		title	
A	009-0203	BF	062509	X*±1*	X.XX±0.1	scale		TERMINAL BLOCK	
B	T09-1148	BF	111709					FIXED HORIZONTAL WIRE INLET	
C	T09-1152	BF	112609					dwg no	
D	T10-0042	WL	030310	dr	BEER FU	062509	sheet 1 of 3 size		
E	T10-0109	WL	070710	enr	BEER FU	062509	A4		
F	T10-0159	WL	100410	chr	GARY HSIEH	062509	20020327		
G	T10-0187	WL	121410	appd	JOSEPH HSIA	062509	type		
sheet		revision	G	G	CUSTOMER Drawing				
index	sheet	1	2	3					



PRODUCT NUMBER	SERIES NAME	PITCH
20020327-CXXXXXL	26-350	3.50 mm



N = Number of poles
 Dim A = $N \times 3.5 [0.138]$
 Dim B = $(N-1) \times 3.5 [0.138]$

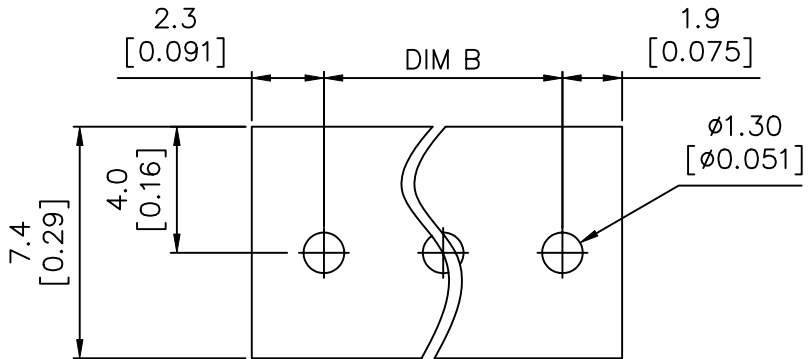
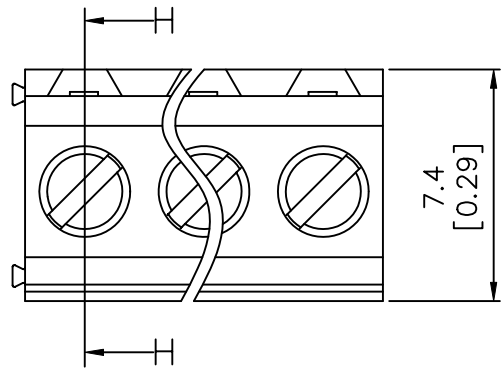
TOL.	Dim A	Dim B
2-6p	$\pm 0.15 [0.006]$	
7-12p	$\pm 0.20 [0.008]$	
13-16p	$\pm 0.25 [0.010]$	
17-24p	$\pm 0.30 [0.012]$	

mat'l. code		surface ASME Y14.5	tolerance ASME Y14.5	projection 	product family TERMINAL BLOCK
ltr	ecn no	dr	date	title TERMINAL BLOCK FIXED HORIZONTAL WIRE INLET	
g				MM INCH	scale
		angles	int		
		$X \pm 1^\circ$	$X.X \pm 0.1$		
		dr	BEER FU 062509	dwg no 20020327 sheet 2 of 3 size A4	
		enr	BEER FU 062509	type CUSTOMER Drawing	
		chr	GARY HSIEH 062509		
		appd	JOSEPH HSIA 062509		
sheet index	revision sheet				

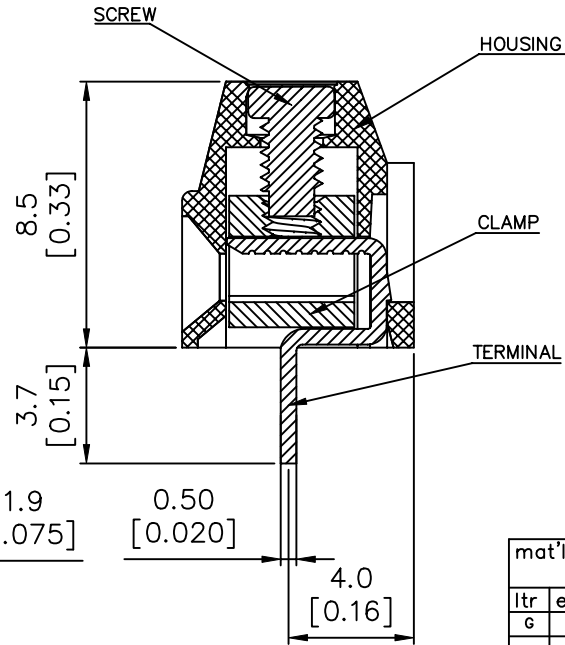
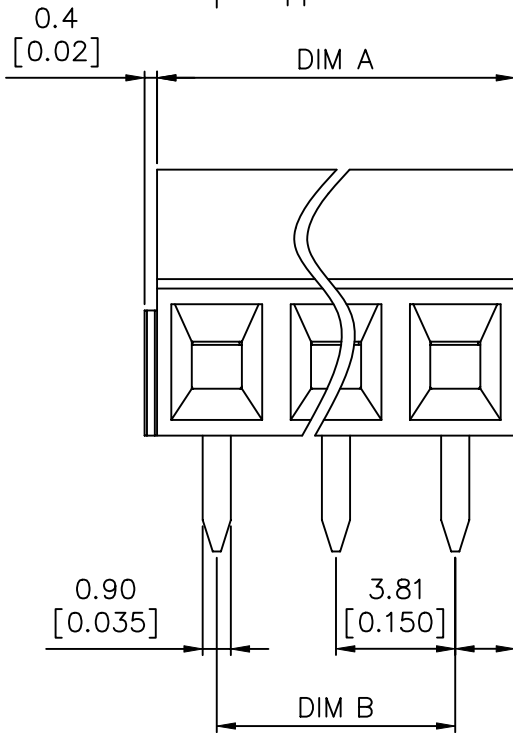




PRODUCT NUMBER	SERIES NAME	PITCH
20020327-DXXXXXXLF	26-381	3.81 mm



P.C.B. LAYOUT



N = Number of poles
 Dim A = $N \times 3.81 [0.150]$
 Dim B = $(N - 1) \times 3.81 [0.150]$

TOL.	Dim A	Dim B
2-6p	$\pm 0.15 [0.006]$	
7-12p	$\pm 0.20 [0.008]$	
13-16p	$\pm 0.25 [0.010]$	
17-24p	$\pm 0.30 [0.012]$	

mat'l. code		surface ASME Y14.5	tolerance ASME Y14.5	projection 	product family TERMINAL BLOCK
ltr	ecn no	dr	date	tolerances unless otherwise specified	title
g				angles X \pm 1°	TERMINAL BLOCK FIXED HORIZONTAL WIRE INLET
				linear X.XX \pm 0.1	scale MM [INCH]
		dr	BEER FU 062509		dwg no
		enr	BEER FU 062509		20020327
		chr	GARY HSIEH 062509		sheet 3 of 3 size A4
		appd	JOSEPH HSIA 062509		type CUSTOMER Drawing
sheet index	revision sheet				



Mouser Electronics

Authorized Distributor

Click to View Pricing, Inventory, Delivery & Lifecycle Information:

Amphenol:

<u>20020327-D021B01LF</u>	<u>20020327-D041B01LF</u>	<u>20020327-C081A01LF</u>	<u>20020327-D081B01LF</u>	<u>20020327-D231B01LF</u>
<u>20020327-C161B01LF</u>	<u>20020327-D131B01LF</u>	<u>20020327-C061B01LF</u>	<u>20020327-C191B01LF</u>	<u>20020327-C091B01LF</u>
<u>20020327-D061B01LF</u>	<u>20020327-C121B01LF</u>	<u>20020327-D151B01LF</u>	<u>20020327-D091B01LF</u>	<u>20020327-C021B01LF</u>
<u>20020327-C081B01LF</u>	<u>20020327-D031B01LF</u>	<u>20020327-C111B01LF</u>	<u>20020327-D241B01LF</u>	<u>20020327-D111B01LF</u>
<u>20020327-C181B01LF</u>	<u>20020327-D071B01LF</u>	<u>20020327-C231B01LF</u>	<u>20020327-C031B01LF</u>	<u>20020327-D101B01LF</u>
<u>20020327-C241B01LF</u>	<u>20020327-C171B01LF</u>	<u>20020327-C101B01LF</u>	<u>20020327-C151B01LF</u>	<u>20020327-C051B01LF</u>
<u>20020327-C041B01LF</u>	<u>20020327-D141B01LF</u>	<u>20020327-D051B01LF</u>	<u>20020327-D191B01LF</u>	<u>20020327-D221B01LF</u>
<u>20020327-D171B01LF</u>	<u>20020327-D201B01LF</u>	<u>20020327-C131B01LF</u>	<u>20020327-C112B01LF</u>	<u>20020327-C162B01LF</u>

FCI / Amphenol:

[20020327C081A01L](#)