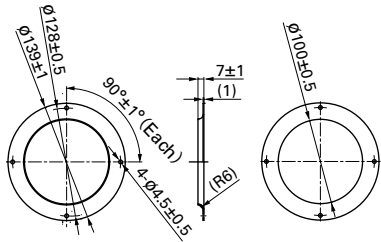


Nozzle mounted in fan inlet side to adjust the flow of introduced air. Material: Steel sheet

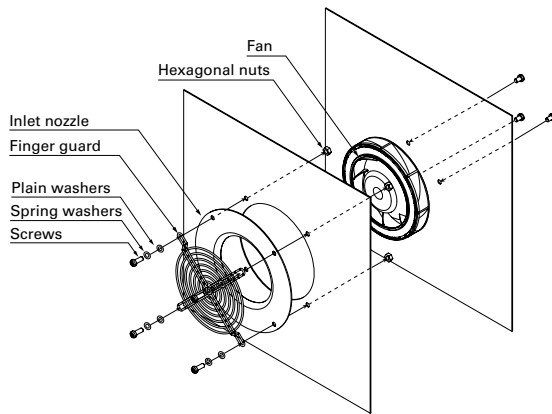
**Ø150 mm type**

Model no.	Surface treatment	Mass (g)
109-1081	Electro nickel plating (silver)	70
109-1081H	Cation electropainting (black)	



**Mounting example**

Centrifugal fan



# Mouser Electronics

Authorized Distributor

Click to View Pricing, Inventory, Delivery & Lifecycle Information:

[Sanyo Denki:](#)

[109-1081](#) [109-1081H](#)