

1

2

3

4

A

B

C

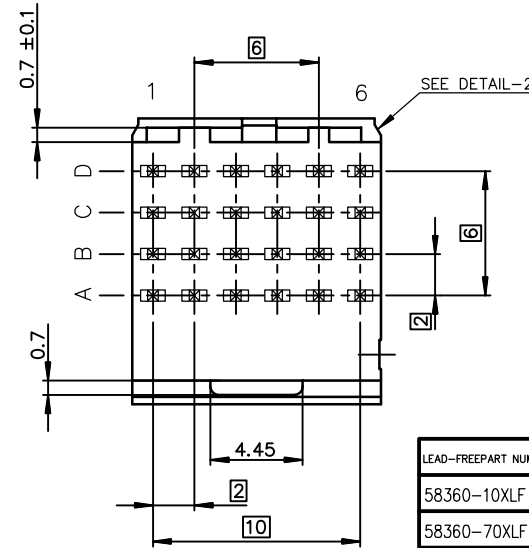
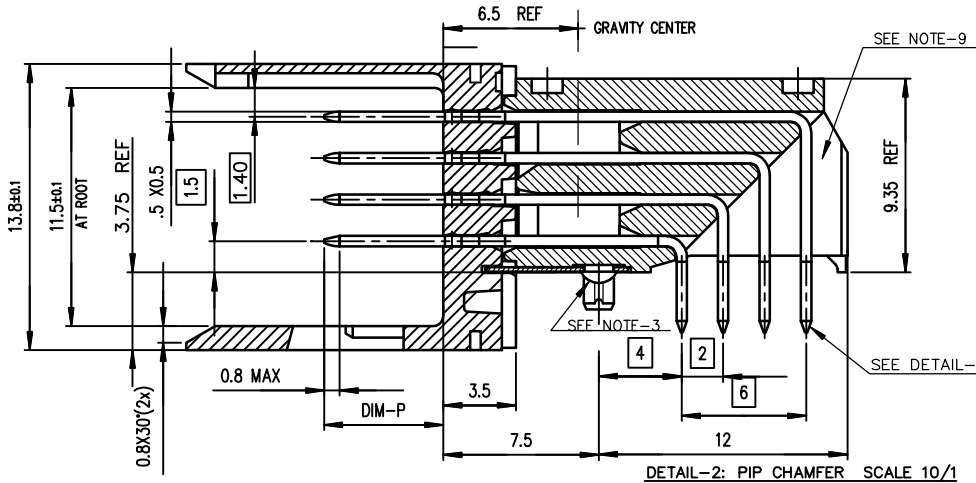
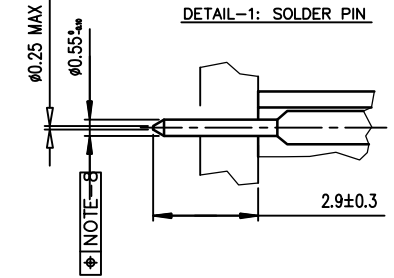
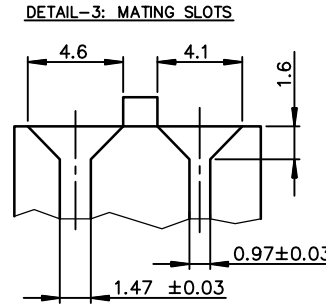
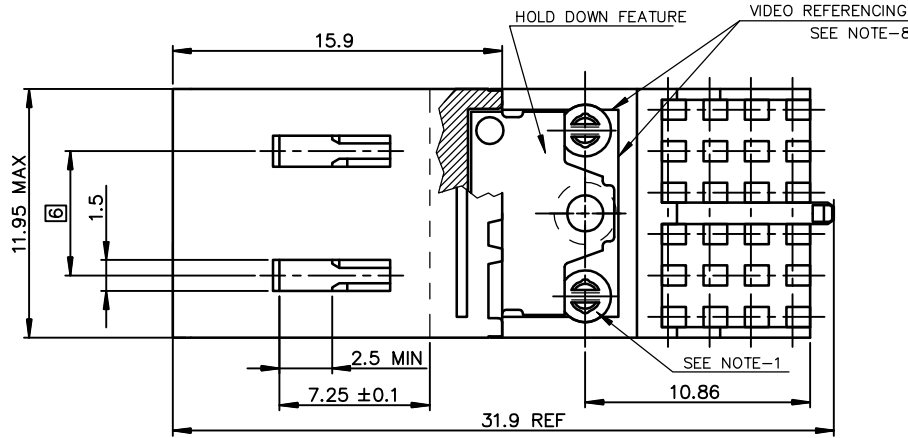
D

A

B

C

D



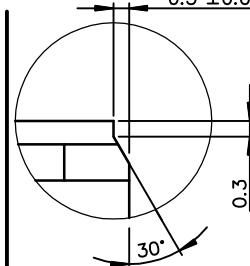
LEAD-FREE PART NUMBER	PERFORMANCE LEVEL
58360-10XLF	STANDARD P/N, See Prod. Spec GS-12-446
58360-70XLF /30XLF	CUSTOMER SPECIAL, Specific Plating

Non LEAD-FREE PART NUMBER	PERFORMANCE LEVEL
58360-70X / 30X	CUSTOMER SPECIAL, Specific Plating

GENERAL CHARACTERISTICS AND ROHS INFORMATIONS:

See PRODUCT SPECIFICATION: GS-12-446

- NOTE-1: SPRING PEGS WITH LOW INSERTION FORCE MAX 20 N PER MODULE
RETENTION FORCE MIN 10 N PER MODULE
- NOTE-2: ONE HEAT STAKE PEG FOR HDF FIXING
- NOTE-3: USE EXISTING CABLE TO BOARD CODING KEYS
- NOTE-4: PLATING ON MATING PART, SEE PRODUCT SPEC: GS-12-446
- NOTE-5: PRODUCT MARKING = PRODUCT PART NUMBER + FC+DATE CODE
- NOTE-6: TRUE POS CONTROL WITH GRID GAUGE Ø0.65 + WEIGHT 10 N
TRUE POS TOLERANCES ACCORDING TO MOUNTING RANGE = ±0.35 (X AND Y)
- NOTE-7: CENTRAL WALL WITH END REAR SUPPORT
- NOTE-8: VIDEO REFERENCING ON LISIBLE+ACCURATE SHARP PLASTIC EDGES
- NOTE-9: ALL PRODUCTS WITH PART NUMBERS SHOWN IN SUBSEQUENT TABLES
WILL BE PACKAGED IN TAPE&REEL. IF TUBE PACKAGING IS REQUIRED,
A SUFFIX "T" WILL BE ADDED TO THE END OF THE PART NUMBER.
EXAMPLE: XXXXX-XXXT OR XXXXX-XXXTLF



OTHERS INFORMATIONS,SEE DRW 58360 SHEET 2/3/4

European Views

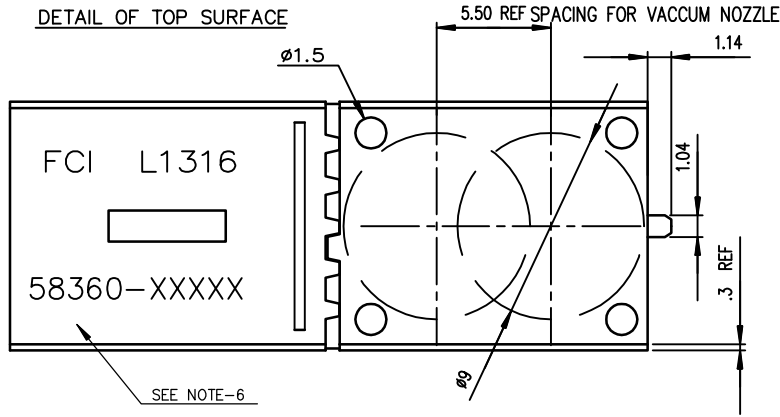
www.fciconnect.com		surface ISO 1302 ✓	tolerance std ISO 406 ISO 1101	projection mm
		TOLERANCES UNLESS OTHERWISE SPECIFIED		size A3
Dr	CHAMPION	2002/12/17	ANGULAR	Scale 4
Eng	De-Feng Qin	2012/04/26	LINEAR	ECN
Chr	Tian-Zhao Lin	2012/04/26	0.XX ±2	Spec ref -
Appr	Pei-Ming Zheng	2012/04/26	0.XXX ±0.1	
Product family				METRAL
title METRAL RA HDR PIP CONVERG NB 4X6 - WITH HDF			dwg no 58360	Rev. J
catalog no			CUSTOMER	sheet 1 of 4

rev	ecn no	dr	date
H	DG10-0147	Cenh	2010/04/30
J	DG-011526-1	Qindf	2012/04/26
F	DG09-0180	Cenh	2009/06/08
G	DG10-0121	Cenh	2010/03/15

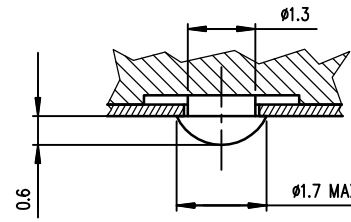


Copyright FCI

1
DETAIL OF TOP SURFACE



2
DETAIL OF CENTRAL HEAT STAKE PEG - SCALE 10/1



3
SPECIFIC DATAS: CONTACT LOADING SEE TABLE-1 & 2

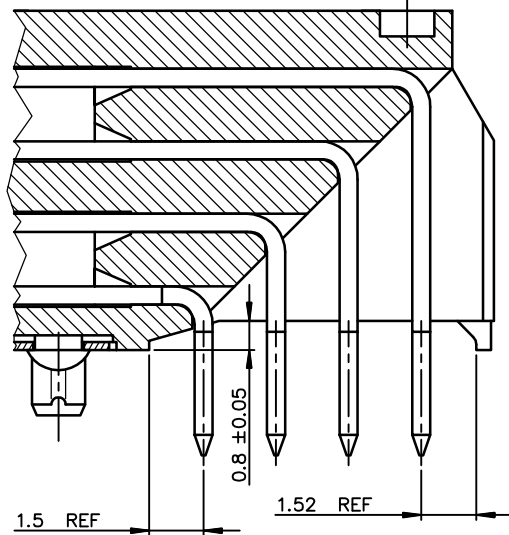
TABLE-2

PART NUMBER	ROW	CONTACT CODE CONFIGURATION					
		1	2	3	4	5	6
58360-X01	D	02	02	02	02	02	02
	C	02	02	02	02	02	02
58360-X01LF	B	02	02	02	02	02	02
	A	02	02	02	02	02	02

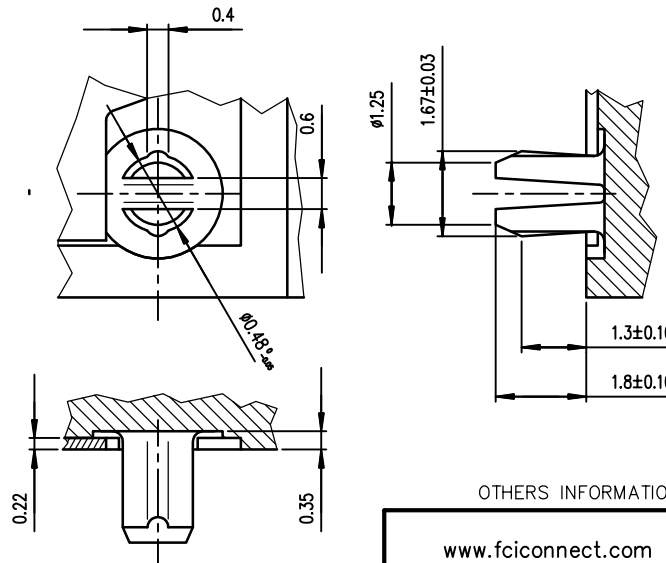
PART NUMBER	ROW	CONTACT CODE CONFIGURATION					
		1	2	3	4	5	6
58360-X02LF	D	02	02	02	02	02	02
	C	02	02	02	02	02	02
	B	—	—	—	—	—	—
	A	02	02	02	02	02	02

PART NUMBER	ROW	CONTACT CODE CONFIGURATION					
		1	2	3	4	5	6
58360-X03LF	D	01	01	01	01	01	01
	C	03	03	03	03	03	03
	B	03	03	03	03	03	03
	A	03	03	03	03	03	03

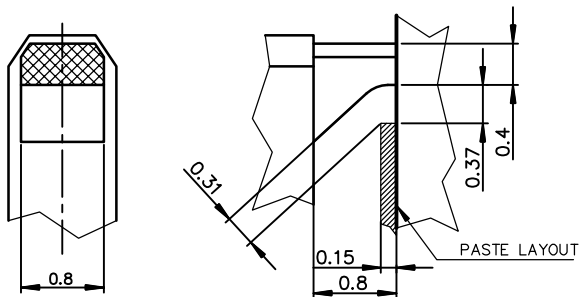
B
DETAIL OF STAND-OFF SCALE-7/1



C
DETAIL OF RETENTION PEGS (2x) SCALE 10/1



C
DETAIL OF REAR SUPPORT SCALE-20/1



CONTACT CODE	
DIM-P	
01	5.00
02	5.75
03	6.50
—	NO CONTACT

TABLE-1

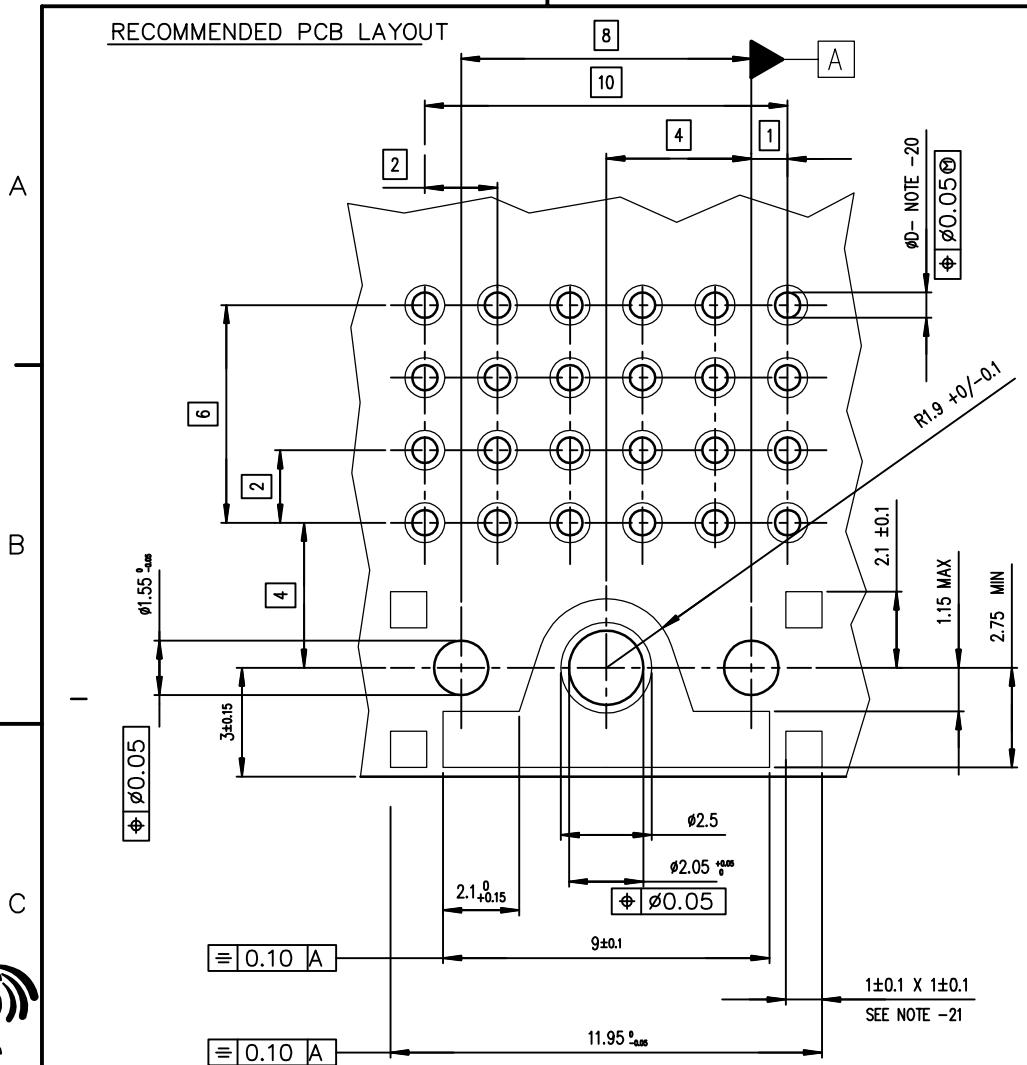
OTHERS INFORMATIONS, SEE DRW 58360-1/-3/-4

www.fciconnect.com		surface ISO 1302	tolerance std ISO 406 ISO 1101	projection mm
TOLERANCES UNLESS OTHERWISE SPECIFIED				
Dr	CHAMPION	2002/12/17	ANGULAR	size A3
Eng	De-Feng Qin	2012/04/26	LINEAR	Scale 4
Chr	Tian-Zhao Lin	2012/04/26	0.xx* ± 2	ECN
Appr	Pei-Ming Zheng	2012/04/26	0.xxx ± 2	Spec ref -
Product family METRAL				Spec ref -
title METRAL RA HDR PIP CONVERG NB 4X6 - WITH HDF			dwg no 58360	Rev. J
catalog no -			CUSTOMER	sheet 2 of 4

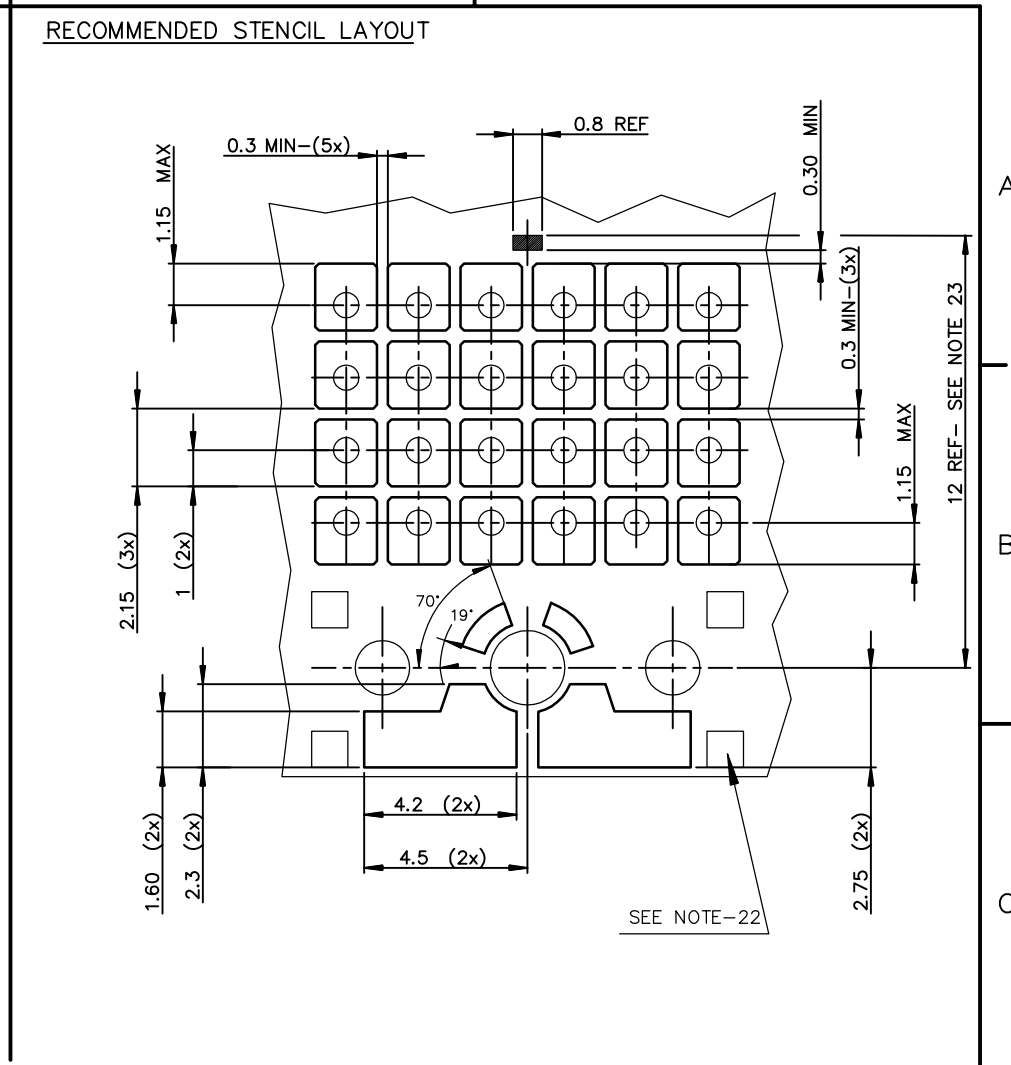


Copyright FCI.

RECOMMENDED PCB LAYOUT



RECOMMENDED STENCIL LAYOUT



- NOTE-20: PTH DIMENSIONS - ϕ D
 - DRILL DIAMETER = (0.85 REF) and Plating
 - See Product Spec : GS-12-446
- NOTE-21: 4 SQUARE REFERENCE PADS
- NOTE-22: NO PASTE ALLOWED ON 4 REFERENCE PADS
- NOTE-23: PRODUCT REAR SUPPORT LOCATION
- NOTE-24: RECOMMENDED PASTE THICKNESS = 0.15

OTHERS INFORMATIONS,SEE DRW 58360 SHEET 1/2/4

European Views

www.fciconnect.com		surface ISO 1302	tolerance std ISO 406 ISO 1101	projection mm
TOLERANCES UNLESS OTHERWISE SPECIFIED				
Dr	CHAMPION	2002/12/17	ANGULAR	0.X ±0.1
Eng	De-Feng Qin	2012/04/26	LINEAR	0.XX ±0.1
Chr	Tian-Zhao Lin	2012/04/26	0.XX' ±2	0.XXX ±0.1
Appr	Pei-Ming Zheng	2012/04/26	Product family	METRAL
Spec ref -				size A3
Scale 7				ECN
title METRAL RA HDR PIP CONVERG NB 4X6 - WITH HDF				Rev. J
catalog no -				dwg no 58360
CUSTOMER				sheet 3 of 4



Copyright FCI.

1

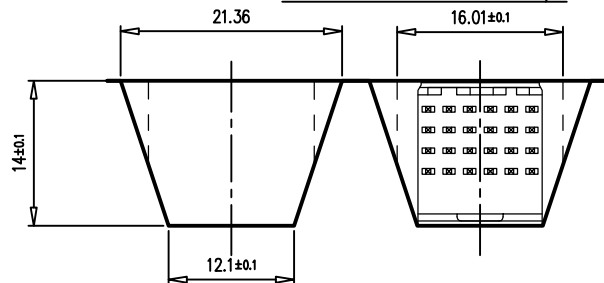
2

3

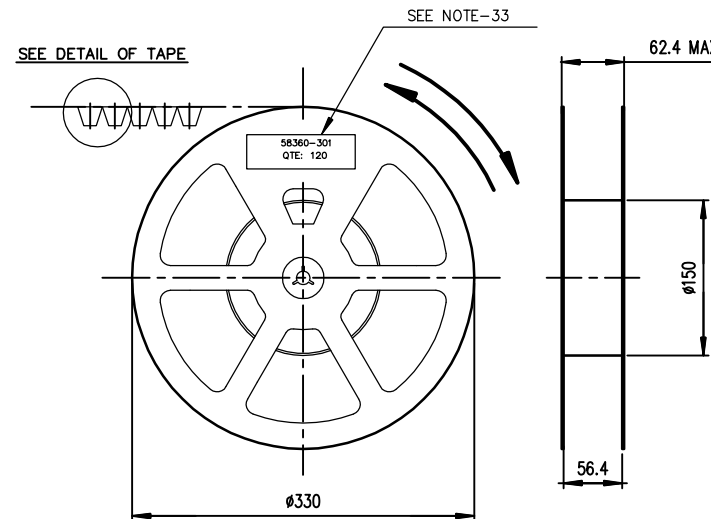
4

PACKAGING SPECIFICATION

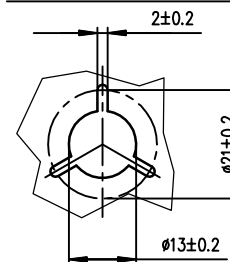
DETAIL OF TAPE SCALE 2/1



DETAIL OF REEL SCALE 1/5



DETAIL OF REEL HUB SCALE 1/1



A

A

B

B

C

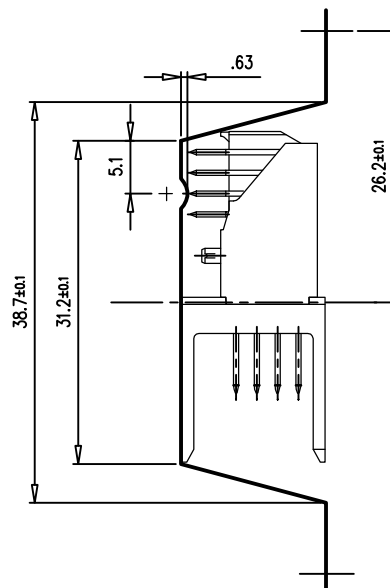
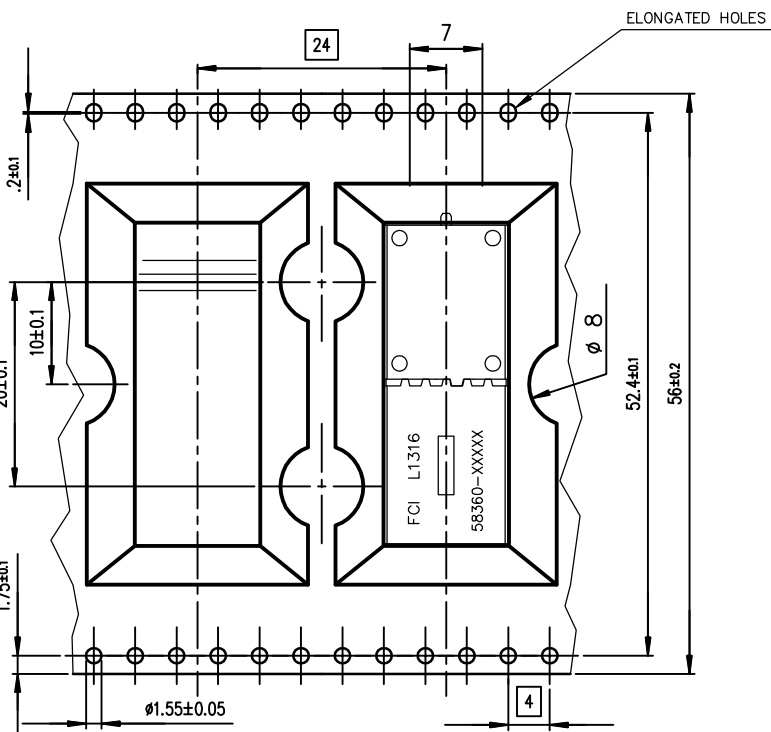
C

D

D



Copyright FCI.



NOTE-30: REF SPECIFICATION: EIA-481-B

NOTE-31: TAPE MATERIAL: PVC ANTISTATIC

SURFACE RESISTIVITY MAX 10¹² OHMS/SQUARE AFTER HEAT FORMING

CARRIER P/N: 10097632-002 COVER TAPE P/N:10097632-003

NOTE-32: PACKAGING QTY: PACKAGING MATERIAL DETAIL INFORMATION PLEASE REFER TO DRAWING OF 10097632

- QTY PER REEL(P/N:10097632-001) = 120 PCS

- QTY PER BOX (P/N:10097632-004) = 6 REELS = 720 PCS

NOTE-33: LABEL FOR IDENTIFICATION: PART NUMBER,DATE-CODE,TRACABILITY INFORMATIONS

NOTE-34: RECYCLABLE MATERIAL FOR REEL + ANTISTATIC TREATMENT

NOTE-35: TUBE PACKAGING: 48PCS CONNECTOR PER TUBE AND 384 PCS CONNECTOR PER CARTON

OTHERS INFORMATIONS,SEE DRW 58360 SHEET 1/2/3

European Views

www.fciconnect.com		surface ISO 1302 ✓	tolerance std ISO 406 ISO 1101	projection mm
		TOLERANCES UNLESS OTHERWISE SPECIFIED		↔
Dr	CHAMPION	2002/12/17	ANGULAR	0.X ±0.1
Eng	De-Feng Qin	2012/04/26	LINEAR	0.XX ±0.1
Chr	Tian-Zhao Lin	2012/04/26	0.XX ±2	0.XXX ±0.1
Appr	Pei-Ming Zheng	2012/04/26	Product family METRAL	
title METRAL RA HDR PIP CONVERG NB 4X6 - WITH HDF				size A3
catalog no -				Scale 2
dwg no 58360				ECN
Rev. J				Spec ref -
CUSTOMER				sheet 4 of 4

1

2

3

4

Mouser Electronics

Authorized Distributor

Click to View Pricing, Inventory, Delivery & Lifecycle Information:

[FCI / Amphenol:](#)

[58363-101LF](#) [58360-101LF](#) [58360-103LF](#) [58360-102LF](#) [58360-101TLF](#)