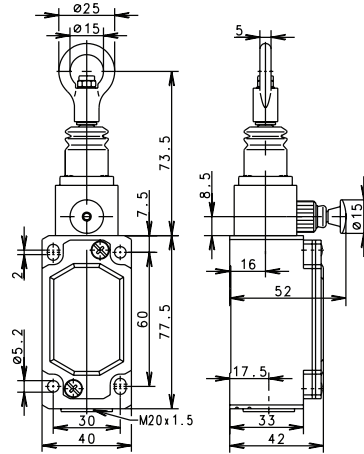


SIEM and SID Latching with Reset Button

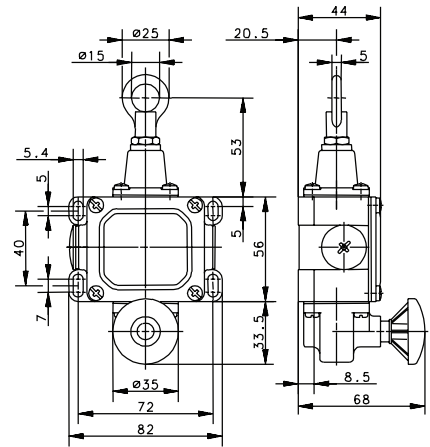


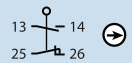
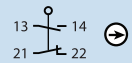


Pull Cable to change contact state, push button to reset

SIEM2 RAST





SID RAST



| | | |
|-------------------------|---|---|
| <p>Variant 1</p> | <p>Article No. Designation Max. span Type</p> <p>601.2831.023 SIEM2-UV1Z P-RAST 19.6 Ft. (6 Meters) Metal Body with Tension Monitor</p>  | <p>601.1411.868 SD-U1 P-RAST 26.2 Ft. (8 Meters) Metal Body without Tension Monitor</p>  |
| <p>Variant 2</p> | <p>Article No. Designation Max. span Type</p> | <p>611.1431.060 SID-UV1Z P-RAST 49.2 Ft. (15 Meters) Metal Body with Tension Monitor</p>  |
| <p>Variant 3</p> | <p>Article No. Designation Max. span Type</p> | <p>601.1431.869 SID-UV1Z P-RAST 39.4 Ft. (12 Meters) Metal Body with Tension Monitor</p>  |

Technical Information

| | | |
|----------------------------|---|---|
| Maximum Switching Voltage | 240V | 240V |
| Maximum Switching Amperage | 10A | 16A |
| B10d | On Request | On Request |
| Mechanical Service Life | 1 x 10 ⁶ | 1 x 10 ⁶ |
| Switching Frequency | ≤ 50/min | ≤ 20/min |
| Operating Temperature | -30 °C to +80 °C | -30 °C to +80 °C |
| Protection Rating | IP65 | IP65 |
| Utilization Category | AC-15, U _e / I _e 240 V / 3 A | AC-15, U / I _e 240 V / 3 A |
| Rate Insulation Voltage | 400VAC | 400VAC |
| Approvals |  |  |

Mouser Electronics

Authorized Distributor

Click to View Pricing, Inventory, Delivery & Lifecycle Information:

[Altech:](#)

[601.1411.868](#) [611.1431.060](#) [601.1431.869](#) [601.2831.023](#)