

4

3

2

1

THIS DRAWING IS UNPUBLISHED.

RELEASED FOR PUBLICATION

2008

© COPYRIGHT 2008 BY -

ALL RIGHTS RESERVED.

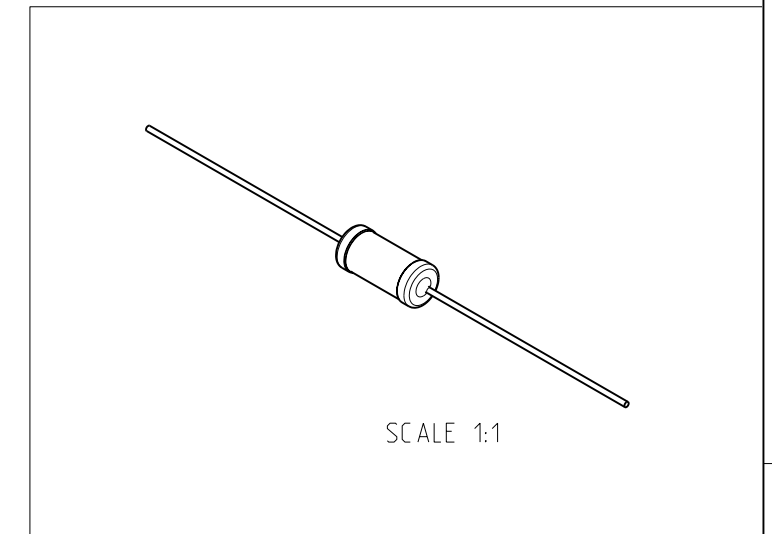
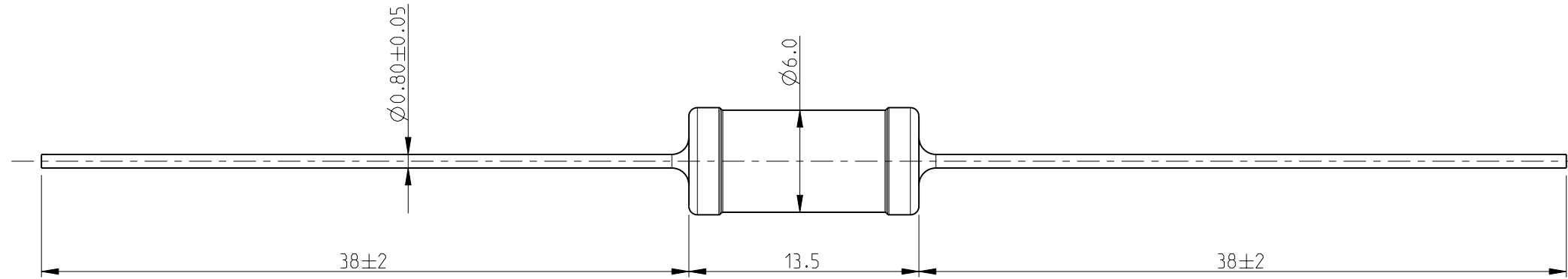
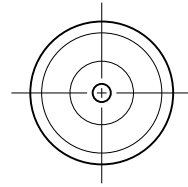
LOC
E

DIST
B

REVISIONS

P	LTR	DESCRIPTION	DATE	DWN	APVD
	BA1	REVISED PER ECO-11-005150	29MAR2011	RK	HMR

1. PACKAGING: AMMO PACKED
2. FOR FURTHER INFORMATION SEE DATA SHEET FOR SERIES ER/ERV- HIGH POWER RESISTORS



THIS DRAWING IS A CONTROLLED DOCUMENT.

DWN SUBHASH.M 28-JUL-09
 CHK ALLAN.P 28-JUL-09
 APVD STEPHEN.P 28-JUL-09



HIGH POWER RESISTORS
 SERIES ER74

DIMENSIONS:	TOLERANCES UNLESS OTHERWISE SPECIFIED:
mm	
	0 PLC ± 0.2
	1 PLC ± 0.1
	2 PLC ± -
	3 PLC ± -
	4 PLC ± -
	ANGLES ± - ± 5°
MATERIAL -	FINISH -

PRODUCT SPEC	-
APPLICATION SPEC	-
WEIGHT	-
CUSTOMER DRAWING	

NAME	-			RESTRICTED TO	-
SIZE	CAGE CODE	DRAWING NO			
A3	00779	1623746			
SCALE	SHEET	OF	REV		
3:1	1	1	BA1		

Mouser Electronics

Authorized Distributor

Click to View Pricing, Inventory, Delivery & Lifecycle Information:

[TE Connectivity:](#)

[ER741R0JT](#)