

THIS DRAWING IS UNPUBLISHED.

RELEASED FOR PUBLICATION

1998

© COPYRIGHT 1998

ALL RIGHTS RESERVED.

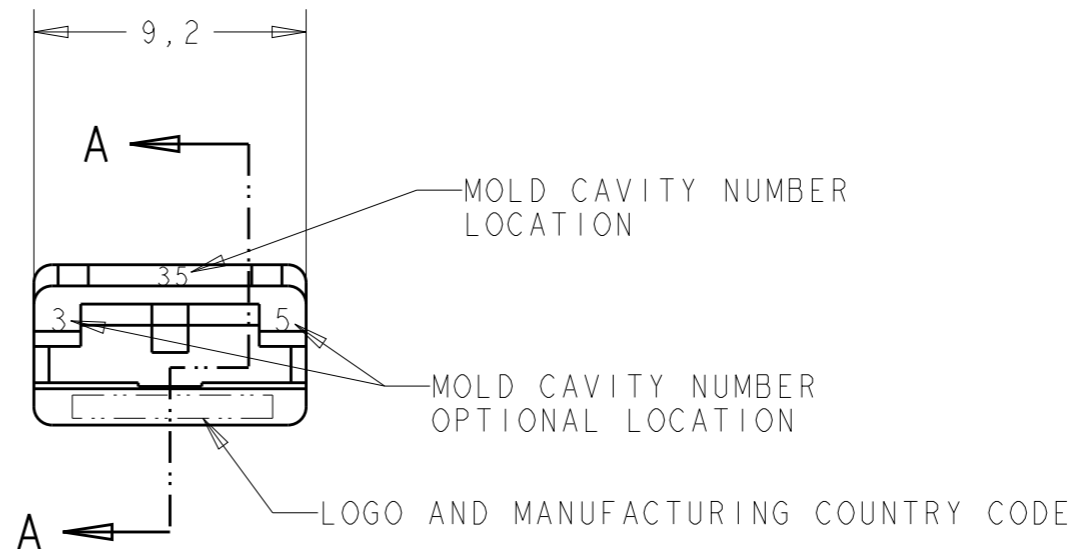
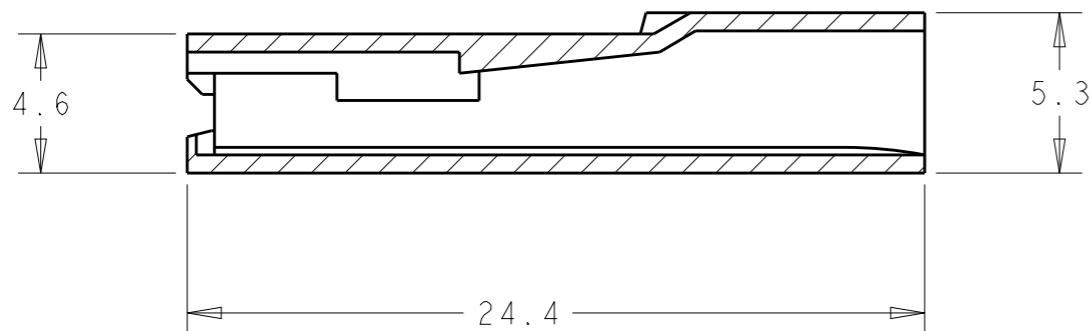
LOC
AP

DIST
-

REVISIONS

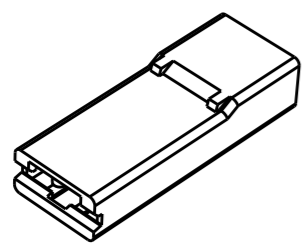
| P | LTR | DESCRIPTION | DATE | DWN | APVD |
|---|-----|-----------------------|-----------|-----|------|
| | V10 | REV. BY ECO 17-010816 | 26JUL2017 | HC | WLS |

SECTION A-A
SCALE 4:1



- ① - PA 6.6 ACCORDING TO SPEC. IEC 60335-1 GWT 750°C WITHOUT FLAME.
- ② - PA 6.6 94 V-2 THERMO STABILIZED.
- ③ - PACKAGING QUANTITY: 15000 PIECES IN A BOX.
- ④ - PAKAGING: 25 PLASTIC BAGS WITH 300 PIECES EACH IN A BOX. TOTAL 7500 PIECES/BOX
- ⑤ - SUPERSEDED BY 2-2133346-0.

| | | | | | | |
|----------|----------------|-----------------------------|-------------------|---|------------|---|
| | NEGRO/BLACK | POLYAMIDE 6/6 V-2 | 8-735075-2 | ④ | | |
| OBSOLETE | ⑤ | NEGRO/BLACK | POLYAMIDE 6/6 V-2 | ② | 8-735075-1 | ⑤ |
| | NATURAL/CLEAR | POLYAMIDE 6/6 V-0 | 8-735075-0 | ① | | |
| | NATURAL/CLEAR | POLYAMIDE 6/6 V-0 | 6-735075-0 | | | |
| | NATURAL/CLEAR | POLYAMIDE 6/6 V-0 | 2-735075-6 | ③ | | |
| | NEGRO/BLACK | PA 6.6 V-2 | 1-735075-5 | | | |
| | AMARELO/YELLOW | | 1-735075-4 | | | |
| | AZUL/BLUE | | 1-735075-3 | | | |
| | VERMELHO/RED | | 1-735075-1 | | | |
| | NATURAL/CLEAR | | 1-735075-0 | | | |
| | NEGRO/BLACK | | 735075-5 | | | |
| OBSOLETE | VERDE/GREEN | POLIPROPILENO/POLYPROPYLENE | 735075-2 | ③ | | |
| OBSOLETE | VERMELHO/RED | | 735075-1 | ③ | | |
| | NATURAL/CLEAR | | 735075-0 | | | |
| | COR/COLOR | MATERIAL | PART NUMBER | | | |



| | | | | |
|--|--|----------------------------------|---|------------------------|
| THIS DRAWING IS A CONTROLLED DOCUMENT. | | DWN H. CANTERI 06DEC2012 | TE Connectivity | |
| DIMENSIONS: mm | | CHK W.L. STEFANI 07DEC2012 | | |
| TOLERANCES UNLESS OTHERWISE SPECIFIED: | | APVD - | NAME POST INSULATION FASTON 6,35 mm. HSG. | |
| 0 PLC ± 1 PLC ± 2 FC ±GENERAL 3 FC ±TOLERANCES 4 PLG ± ±0.3 ANGLES ±1 | | PRODUCT SPEC 108-22033 | SIZE A3 | |
| MATERIAL SEE TABLE | | APPLICATION SPEC - | CAGE CODE 00779 | DRAWING NO G-735075 |
| FINISH SEE TABLE | | WEIGHT - | RESTRICTED TO - | |
| Customer Drawing | | SCALE - | SHEET 1 | OF 1 |
| | | | REV V10 | |

Mouser Electronics

Authorized Distributor

Click to View Pricing, Inventory, Delivery & Lifecycle Information:

[TE Connectivity:](#)

[735075](#)