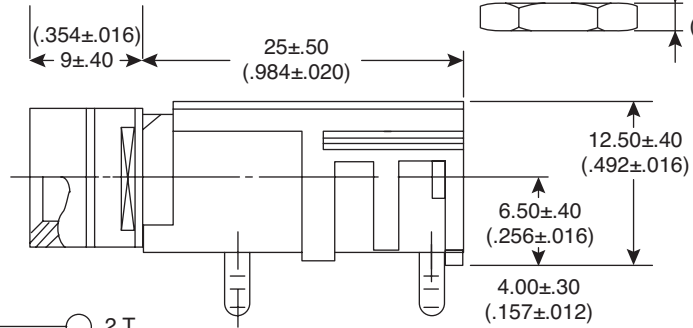
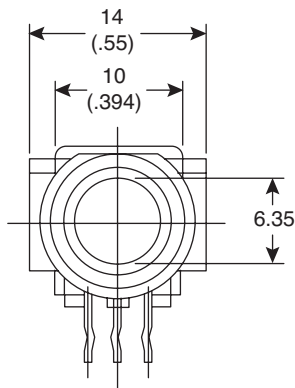
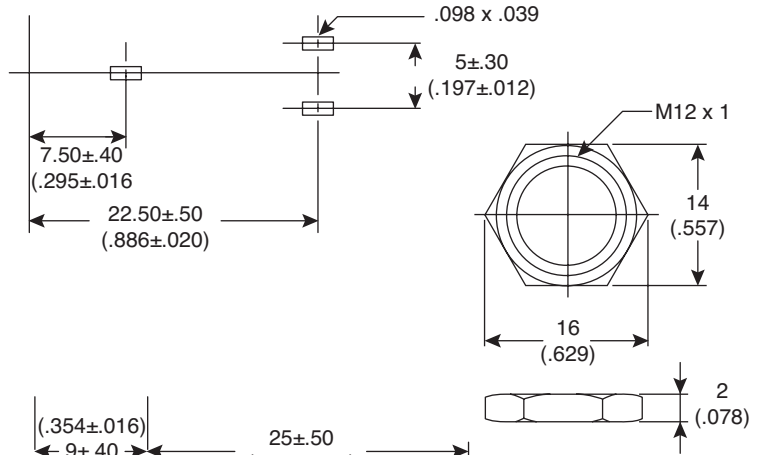
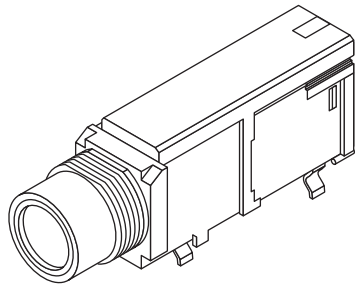


Stereo Jack 6.35mm

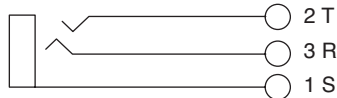
16PJ509



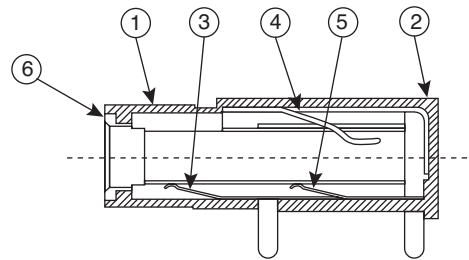
Stereo Jack 6.35mm



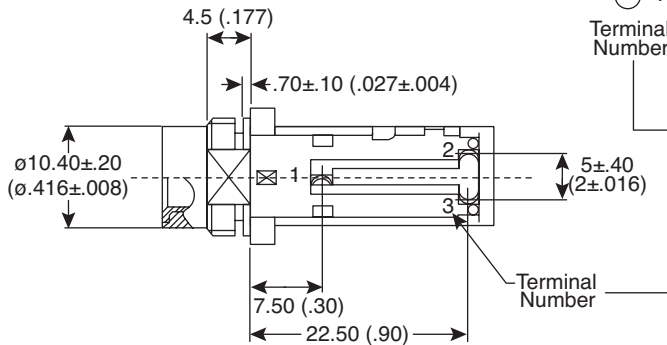
Circuit



DIMENSIONS: mm (in.)



Inside Mechanism



MECHANICAL SPECIFICATIONS

This part is not designed for dual side mount installation with thru hole under wave soldering only single mount.

ELECTRICAL SPECIFICATIONS

Contact resistance:	30mΩ max.
Insulation resistance:	100MΩ(min.) @ 500VDC
Insulation withstand:	500VAC for 1 minute

No.	Part Name	Material	Finish
1	Housing	PPHOX	N/A
2	Cover	PPHOX	N/A
3	Earth Contact	Phosphor Bronze	Silver Plated
4	Tip Contact	Phosphor Bronze	Silver Plated
5	Ring Contact	Phosphor Bronze	Silver Plated
6	Sleeve	Brass	Nickel Plated

Date Last Revised: 11/20/14

Available from Mouser Electronics
1-800-346-6873 / www.mouser.com

KC-300157

Specifications are subject to change without notice. No liability or warranty implied by this information. Environmental compliance based on producer documentation.

16PJ509

Mouser Electronics

Authorized Distributor

Click to View Pricing, Inventory, Delivery & Lifecycle Information:

[Kobiconn:](#)

[16PJ509](#)