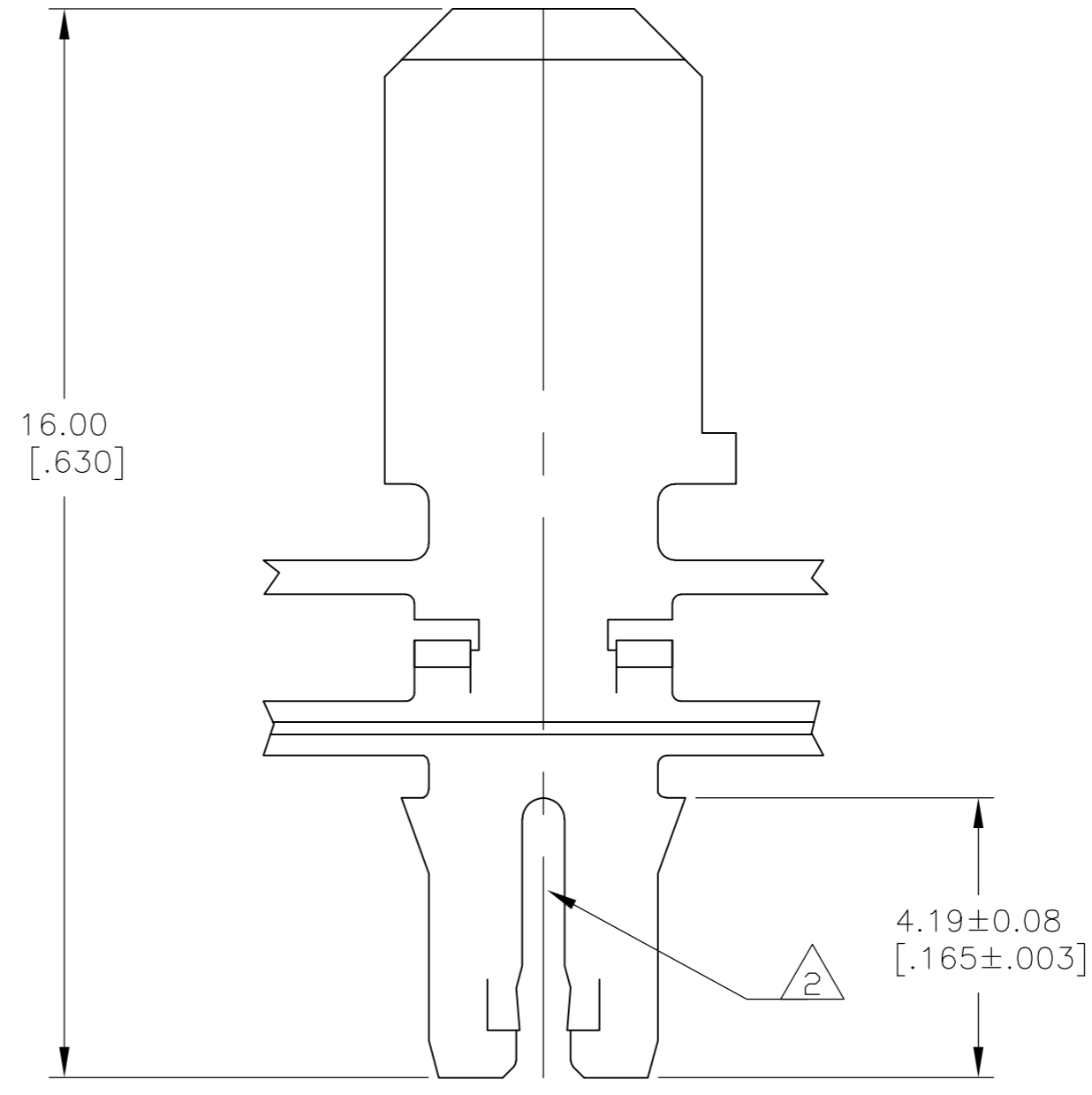
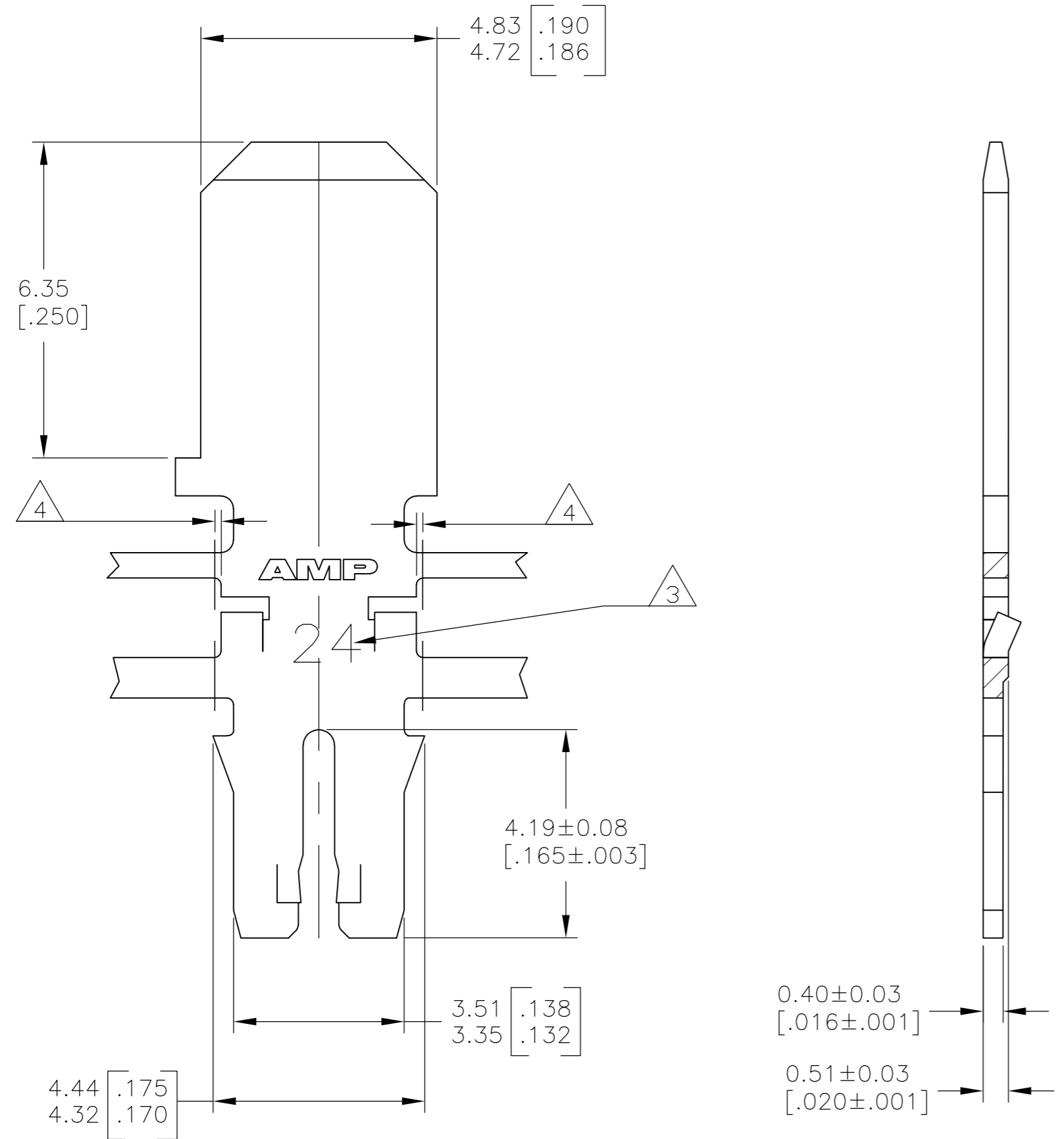


THIS DRAWING IS UNPUBLISHED. RELEASED FOR PUBLICATION  
 © COPYRIGHT - By - ALL RIGHTS RESERVED.

LOC		DIST		REVISIONS			
P	LTR	DESCRIPTION		DATE	DWN	APVD	
		2	ECR-15-005665	10AUG2015	BDA	PKS	

- 1 CONTINUOUS STRIP ON REELS WITH TERMINALS LOCATED ON 6.86±0.08 [.270±.003] CENTERS
- 2 SLOT ACCEPTS 0.91-1.15mm [#19-#17] AWG COPPER MAGNET WIRE.  
SLOT ACCEPTS 0.95-1.15mm [#18.5-#17] AWG ALUMINUM MAGNET WIRE.  
ALUMINUM WIRE RANGE APPLIES FOR POST-TIN PLATED VERSIONS ONLY.  
ONE WIRE MAX PER SLOT.
- 3 IDENTIFICATION NUMBER 24 FOR THE MAGNET WIRE SLOT SIZE.
- 4 0.25 [.010] MAX CARRIER CUT-OFF
- 5 PRELIMINARY - NOT FOR PRODUCTION



0.002032 [.000080] MIN TIN PLATE	082 PRE-MILLED BRASS	1742861-1
FINISH	MATERIAL	PART NO.

THIS DRAWING IS A CONTROLLED DOCUMENT.		DWN	JR RUTH	27OCT10
DIMENSIONS: MM [INCHES]		CHK	KURT RANDOLPH	27OCT10
TOLERANCES UNLESS OTHERWISE SPECIFIED:		APVD	KURT RANDOLPH	27OCT10
0 PLC ± -		NAME		
1 PLC ± -		PRODUCT SPEC		
2 PLC ± 0.13 [.005]		108-1484		
3 PLC ± -		APPLICATION SPEC		
4 PLC ± -		114-2140		
ANGLES ± -		WEIGHT		
FINISH		-		
SEE TABLE		SEE TABLE		FINISH
		CUSTOMER DRAWING		SCALE
		SCALE 10:1		SHEET
		SHEET 1 of 1		REV
		REV 2		

**TE** Connectivity  
**PRELIMINARY**  
 TAB, 4.75 [.187] PLAIN,  
 MAG-MATE™ Slim Line

# Mouser Electronics

Authorized Distributor

Click to View Pricing, Inventory, Delivery & Lifecycle Information:

[TE Connectivity:](#)

[1742861-1](#)